

Catalog Number
Notes
Type

## FEATURES & SPECIFICATIONS

**INTENDED USE** — Ideal one-for-one replacement of conventional lighting systems such as HID and fluorescent. Applications include manufacturing, warehousing and other large indoor spaces with mounting heights ranging from 10' – 40'. Luminaire shall be suspended a minimum 18" from ceiling. Surface mounting is not permitted. **Certain airborne contaminants can diminish integrity of acrylic.** [Click here for Acrylic Environmental Compatibility table for suitable uses.](#)

**CONSTRUCTION** — Lightweight aluminum heat sink designed to perform at warm ambient temperatures. Due to precision thermal engineering for maximum naturally convective cooling this fixture provides lumen drop that is less than fluorescent. Fabricated steel channel provides maximum rigidity.

**OPTICS** — Narrow and wide distributions available to meet both horizontal and vertical light level requirements.

Reflectors feature precision-formed optics utilizing reflective Alanod® MIRO-5® aluminum to achieve narrow distribution and white polyester powder coat to achieve wide distribution. Semi-diffuse lens optional to provide glare control and LED protection.

**ELECTRICAL** — 70% lumen maintenance at 100,000 hours; predicted life of more than 100,000 hours. Thermally protected driver standard with 0-10V dimming.

Wireless networking: XPoint™ Wireless technology creates a mesh network to ensure communication between fixtures, sensors and wall stations facility-wide. This option provides superior lighting management capabilities including granular control, configuration and custom grouping for increased energy savings.

**INSTALLATION** — Suitable for suspension by chain, cable, surface-mounting bracket, hook monopoint or single (pendant) monopoint. Surface mounting not recommended without optional surface mounting bracket. To maintain ambient listing, fixture should be mounted at a minimum plenum height of 18".

**LISTINGS** — CSA certified to US and Canadian safety standards. Damp location listed. For use in ambient operating temperatures ranging from -40°C to 40°C.

DesignLights Consortium® (DLC) qualified product. Not all versions of this product may be DLC qualified. Please check the DLC Qualified Products List at [www.designlights.org/QPL](http://www.designlights.org/QPL) to confirm which versions are qualified.

**WARRANTY** — 5-year limited warranty. Complete warranty terms located at: [www.acuitybrands.com/CustomerResources/Terms\\_and\\_conditions.aspx](http://www.acuitybrands.com/CustomerResources/Terms_and_conditions.aspx)

**Note:** Actual performance may differ as a result of end-user environment and application. All values are design or typical values, measured under laboratory conditions at 25 °C. Specifications subject to change without notice.

LED High Bay

# IBH

9,000 through 30,000 Lumens  
Patent Pending



### A+ Capable Luminaire

This item is an A+ capable luminaire, which has been designed and tested to provide consistent color appearance and out-of-the-box control compatibility with simple commissioning.

- All configurations of this luminaire meet the Acuity Brands' specification for chromatic consistency
- This luminaire is part of an A+ Certified solution for nLight® or XPoint™ Wireless control networks marked by a [shaded background](#)\*

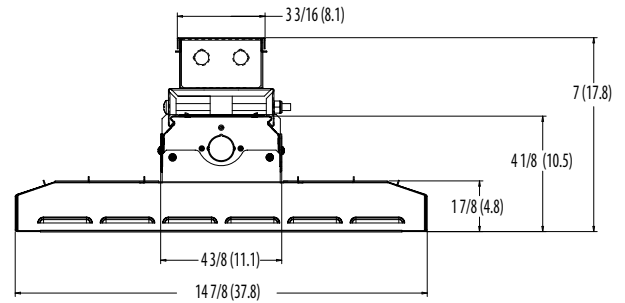
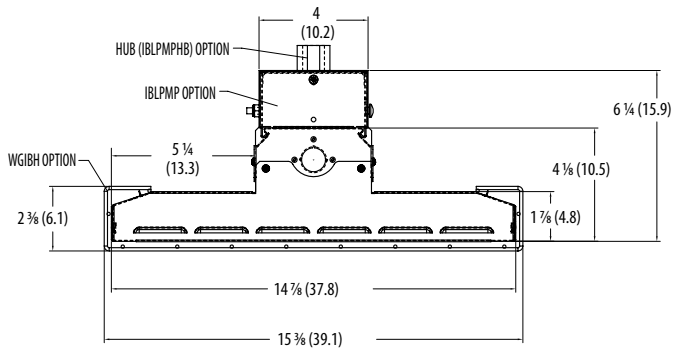
To learn more about A+, visit [www.acuitybrands.com/aplus](http://www.acuitybrands.com/aplus).

\*See ordering tree for details

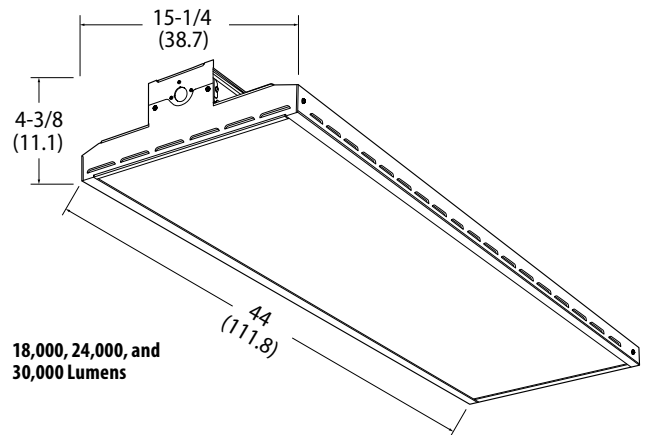
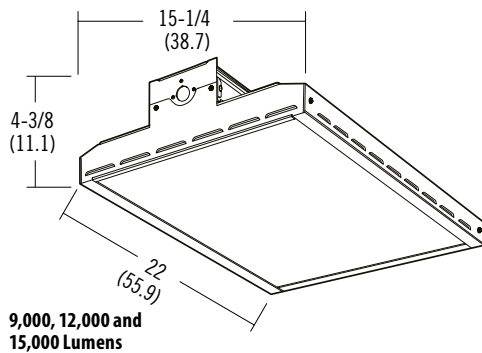
# IBH LED High Bay

## DIMENSIONS

All dimensions are in inches (centimeters) unless otherwise indicated.  
 Dimensions may vary with options or accessories.



Fixture utilizing back pack.



# IBH LED High Bay



A+ Capable options indicated by this color background.

## ORDERING INFORMATION

Lead times will vary depending on options selected. Consult with your sales representative.

**Example:** IBH 18000LM SD080 MD MVOLT OZ10 40K 70CRI WH

IBH Series	Lumens	Lens	Distribution	Voltage	OZ10 Driver	Color temperature	Color rendering index
IBH LED bay light	9000LM 9,000 lumens <sup>1</sup>	SD080 Semi-diffuse acrylic L/LENS Less lens <sup>2</sup>	ND Narrow MD Medium	MVOLT 120-277V	OZ10 0-10V dimming	30K 3000 K	70CRI 70 CRI
IBHST LED bay light, solid top	12000LM 12,000 lumens <sup>1</sup>			HVOLT 347V-480V <sup>1,3</sup>		35K 3500 K	80CRI 80 CRI
	15000LM 15,000 lumens			120 120V		40K 4000 K	90CRI 90 CRI
	18000LM 18,000 lumens			208 208V		50K 5000 K	
	24000LM 24,000 lumens			240 240V			
	30000LM 30,000 lumens			277 277V 347 347V <sup>1,3</sup> 480 480V <sup>1,3</sup>			

Options	Finish
<p>GLR Internal fast-blow fuse<sup>4</sup></p> <p>BSL20HV Battery pack, CEC compliant<sup>5,6</sup></p> <p>BGTD Generator transfer device<sup>7</sup></p> <p>OUTCTR Wiring leads pulled through back center of fixture (not available with back pack)</p> <p>SPD Surge protection device<sup>8</sup></p> <p>OCS RELOC<sup>®</sup> OnePass<sup>®</sup> 5' installed<sup>4</sup></p> <p>RRL RELOC<sup>®</sup>-ready luminaire. See page 5 for ordering information (must be ordered separately)</p> <p>IMP Integrated modular plug (not available with 347V or 480V)<sup>4,9</sup></p> <p>WXG Standard wire guard, installed</p> <p><u>Cord sets:</u></p> <p>CS1W Straight plug, 120V<sup>10,11</sup></p> <p>CS3W Twist-lock, 120V<sup>10,11</sup></p> <p>CS7W Straight plug, 277V<sup>10,11</sup></p> <p>CS11W Twist-lock, 277V<sup>10,11</sup></p> <p>CS25W Twist-lock, 347V<sup>10,11</sup></p> <p>CS97W Twist-lock, 480V<sup>10,11</sup></p> <p>CS93W 600V SE00W white cord, no plug (no voltage required)<sup>10</sup></p>	<p><u>Motion sensors:</u></p> <p>LCOZU Aisle motion sensor, pre-wired<sup>4,12</sup></p> <p>LCHOSZU Aisle motion sensor, pre-wired; programmable dimming<sup>4,12</sup></p> <p>LCPZU Aisle motion sensor with photocell; pre-wired<sup>4,12</sup></p> <p>LAOZU 360° motion sensor, pre-wired<sup>4,12</sup></p> <p>LAHOSZU 360° motion sensor, pre-wired; programmable dimming<sup>4,12</sup></p> <p>LAPZU 360° motion sensor with photocell, pre-wired<sup>4,12</sup></p> <p><b>MSI6XADL DSCXADL 360° Xpoint wireless motion sensor with photocell<sup>4,13</sup></b></p> <p>LAMOSZU 360 motion sensor, dimming and switching photocell, pre-wired (T24 compliant)<sup>4,12</sup></p> <p>LCMOSZU Aisle motion sensor, dimming and switching photocell, pre-wired (T24 compliant)<sup>4,12</sup></p> <p>C6D0SUEM 360° motion sensor, dimming and switching photocell, pre-wired (UL924 compliant)<sup>4,14</sup></p> <p>C10D0SUEM 360° motion sensor, dimming and switching photocell, pre-wired (UL924 compliant)<sup>4,15</sup></p> <p><b>nPP16D nLight<sup>®</sup> switching/dimming module<sup>4,16</sup></b></p> <p><b>nPP16DER nLight<sup>®</sup> switching/dimming module with emergency relay<sup>4,17</sup></b></p> <p>nMSI nLight, aisle motion sensor, pre-wired<sup>4,18</sup></p> <p>nMSI360 nLight, 360° motion sensor, pre-wired<sup>4,19</sup></p> <p>nMSID nLight, aisle motion sensor, pre-wired, dimming<sup>4,20</sup></p> <p>nMSI360D nLight, 360° motion sensor, pre-wired, dimming<sup>4,21</sup></p> <p>XPW External factory installed XPoint<sup>™</sup> wireless 0-10V dimming relay<sup>4,13,22</sup></p> <p>XAD Integral factory installed XPoint<sup>™</sup> wireless 0-10V dimming relay<sup>4,23</sup></p>
	<p>WH Gloss white</p> <p>MB Matte black</p>

Accessories: Order as separate catalog number.		
<p><u>Mounting:</u></p> <p>IBAC120 M20 Aircraft cable 10' with hook (one pair)</p> <p>IBAC240 M20 Aircraft cable 20' with hook (one pair)</p> <p>IBHMP Hook monopoint</p> <p>ZACVH Aircraft 10' V hanger (one pair)</p> <p>IBLPMP Pendant monopoint splice box, includes side covers (not available with fixtures utilizing back pack when ordered with 347, 480 &amp; HVOLT)</p> <p>IBLPMPHB Pendant monopoint splice box with 3/4" hub, includes side covers (not available with fixtures utilizing back pack when ordered with 347, 480 &amp; HVOLT)</p> <p>HC36 Hanger chain, 36" (one pair)</p> <p>THUN Tong hanger bracket (order 2 per fixture)<sup>24</sup></p>	<p><u>Wire guards:</u></p> <p>WGIBH Wire guard for use with 9000LM - 15000LM fixtures</p> <p>WGIBH4 Wire guard for use with 18000LM - 30000LM fixtures</p>	<p><u>Cord sets and sensors for IMP option:</u></p> <p>CS1WIMP Straight plug, 120V<sup>10,11,25</sup></p> <p>CS3WIMP Twist-lock, 120V<sup>10,11,25</sup></p> <p>CS7WIMP Straight plug, 277V<sup>10,11,25</sup></p> <p>CS11WIMP Twist-lock, 277V<sup>10,11,25</sup></p> <p>CS25WIMP Twist-lock 347V<sup>10,11,25</sup></p> <p>CS93WIMP 600V SO white cord, no plug (no voltage required)<sup>10,11,25</sup></p> <p>CS97WIMP Twist-lock 480V<sup>10,11,25</sup></p> <p>MSIIMP Aisle sensor<sup>5,25</sup></p> <p>MSI360IMP 360° sensor<sup>5,25</sup></p>

See footnotes on page 3