

## 2-520-T Miro BRO



The Miro BRO integrates a slightly canted square reflector which minimizes glare, allows for 20° of adjustability (3 series only), can accept up to 2 lens accessories, and permits for a selection of interior finishes. Select beam spreads, reflector finishes, and trim colors for optimal effort. The Bridgelux module produces a light consistency within 3 SDCM (MacAdam Ellipse).

### FEATURES

- Utilizes Bridgelux LED
- Lumen output: 800-3000
- 20° aiming (3 series)
- Clear glass lens standard
- Die-cast aluminum fixture
- Powder coated and plated trim ring finishes
- Trim clips designed for 5/8" ceiling thickness
- Accepts up to 2 optional media
- L70 @ 50,000 hours
- Trimless version available (see separate specifications)

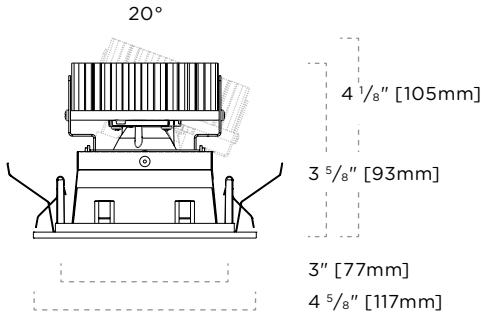
### DETAILS

Trim Class: 4"  
Category: Recessed Downlight  
Shape: Square  
Adjustability: Tilt

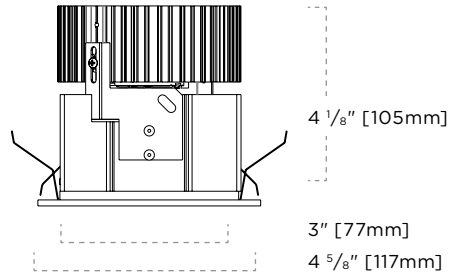


# Features & Lighting

## 3 SERIES

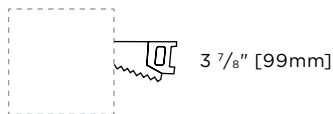


## 5 & 7 SERIES

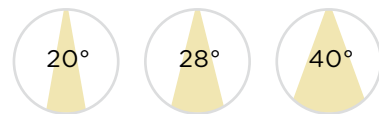


### 24 TITLE 24 COMPLIANT

### CEILING CUTOUT



### BEAM SPREADS



### FLANGE FINISHES

- White
- Chrome Plated
- Black
- Matte Silver
- Bronze
- Matte Nickel

### REFLECTOR FINISHES

- 24 Black Open
- 24 Silver Satin
- 24 White Open

### COLOR TEMPERATURES

- 24 2700
- 24 3000
- 24 3500
- 24 4000

### CRI & LUMENS

SERIES	3		5		7		9	
CRI VALUE	80	90	80	90	80	90	80	90
LUMEN OUTPUT	1000	800	1800	1400	2300	1800	3000	2300
LED WATTAGE	9	9	17	17	24	24	28	28
TITLE 24		24						

# Photometric Data

## CONVERSION CHART

CRI	LUMENS	CCT / MULTIPLIER				TYPICAL SYSTEM POWER
		2700K	3000K	3500K	4000K	
80	1000	0.46	0.48	0.50	0.51	12W
	1800	0.74	0.77	0.81	0.82	20W
	2300	0.96	1 (Baseline)	1.04	1.07	27W
90	800	0.37	0.39	—	—	12W
	1400	0.60	0.64	—	—	20W
	1800	0.77	0.82	—	—	27W

## 7 SERIES, 20° BEAM, 3000K, 80 CRI, 2300 LUMENS

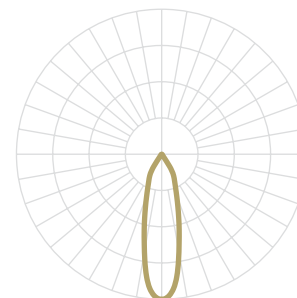
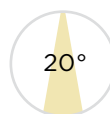
Report: L041507609

Trim Model: 2-520-T-01-SAS-BRO20-30-8023

Efficacy: 71 lm/W

System Power: 26 W

Lumen: 1846 lm



## OUTPUT

DISTANCE		BEAM DIAMETER		OUTPUT	
FT	M	FT	M	FC	LUX
6	1.8	2.4	0.73	134.6	1449.2
8	2.4	3.1	0.95	75.7	815.2
10	3.0	3.9	1.19	48.5	521.7
12	3.7	4.7	1.43	33.7	362.3
14	4.3	5.5	1.68	24.7	266.2
16	4.9	6.3	1.92	18.9	203.8

Luminaires are tested to IESNA standards LM-79-08. Tested to Absolute Photometry.

2-520-T-Miro-BRO-Specs.indd • Subject to change without notice • Rev 2017.10.24 • 3/6