

Panelboard mounted, non-interchangeable trip, molded case circuit breakers

Types BL, BLH, HBL, BLF, BLHF, BLE, BLEF, BAF, BAFH, BG 125A Frame



Specifications:

- 120, 120/240, 240Vac max.
- UL Listed, File # E82615
- CSA and NOM Certified
- HACR Rated
- 40C Calibration
- Thermal / Magnetic Trip
- Molded Case Switch, 2 pole 30 - 60 Amperes
- HID Lighting, 1 & 2 pole 15, 20, 30 Amperes
- SWD duty--1 pole 15 - 20 Amperes

Enclosures: Not Applicable

Interruption ratings

Breaker Type	No. of Poles	Ampere Rating	UL A.I.R. (kA) RMS Symmetrical Amperes		
			Volts AC (50/60 Hz)		
			120	120/240	240
BL	1	10 - 70	10	10	
	2*	15 - 100			10
	2	10 - 125		10	
	3	10 - 100			10
BLH	1	15 - 70	22	22	
	2	15 - 125		22	
	3	15 - 100			22
HBL	1	15 - 70	65	65	
	2	15 - 125		65	
	3	15 - 100			65

* UL listed for use on 3-phase grounded "B" systems

Ground-Fault Protection Class A - 5mA	Breaker Type	No. of Poles	Ampere Rating	UL A.I.R. (kA) RMS Symmetrical Amperes		
				Volts AC (50/60 Hz)		
				120	120/240	240
	BLF	1	15 - 30	10	10	-
		2	15 - 60	-	10	-
	BLHF	1	15 - 30	22	22	-
		2	15 - 60	-	22	-

Ground-Fault Protection 30mA	BLE	1	15 - 30	10	10	-
		2	15 - 60	-	10	-
	BLEH	1	15 - 30	22	22	-
		2	15 - 60	-	22	-

Arc-Fault Circuit Interrupter (AFCI)	BAF	1	15 - 20	10	10	-
		2	15 - 20	-	10	-
	BAFH	1	15 - 20	22	22	-
		2	15 - 20	-	22	-

Circuit breakers

Answers for industry.

SIEMENS

Switching Neutrals	Breaker Type	No. of Poles	Ampere Rating	UL A.I.R. (kA) RMS Symmetrical Amperes		
				Volts AC (50/60 Hz)		
				120	120/240	240
BG		2	15 - 30	10	-	-
		3	15 - 30	-	10	-

Factory Added Options

For all Factory Modifications
Consult Siemens for cost adders

Description

non-UL 50C calibration
400 Hz Calibration 1
415V, 50Hz Calibration 2
Fungus Proofing

1 UL listed 5kA max. A.I.R.

2 non-UL 1 & 2 poles only

External Accessories

(Factory Installed only)

Shunt Trip	Auxiliary Switch
1	0
0	1

(adds 1 pole width to left side of circuit breaker)

External Accessories

Field installable

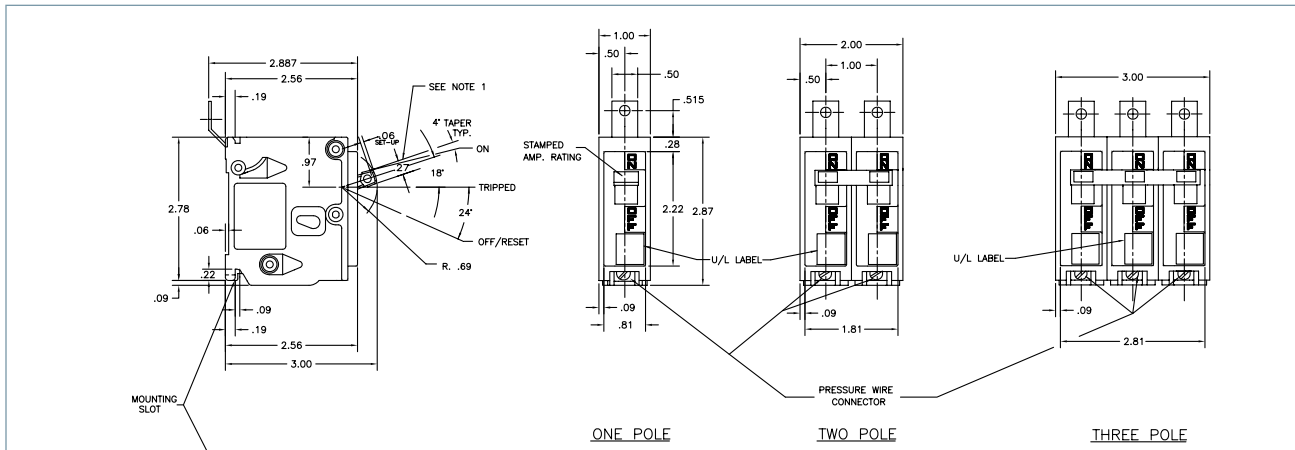
- Padlocking Device for 1, 2, and 3 poles
- Handle Blocking Device

Pressure Wire Connectors

Load Side terminal factory installed only

Ampere Rating	Cables Per Lug	Wire Range
15 - 20	1	#14 - #10 AWG Cu.
	1	#12 - #10 AWG Al.
25 - 35	1	#14 - #6 AWG Cu.
	1	#12 - #6 AWG Al.
40 - 50	1	#8 - #6 AWG Cu.
	1	#8 - #4 AWG Al.
55 - 70	1	#8 - #4 AWG Cu.
	1	#8 - #2 AWG Al.
80 - 100	1	#4 - #1/0 AWG Cu.
	1	#2 - #1/0 AWG Al.
110 - 125	1	#2 - #1/0 AWG Cu.
	1	#1/0 - #2/0 AWG Al.

Note: Molded Case Circuit Breakers having a rated ampacity of 125 amperes or less are to be connected with 60 or 75C wire. Exceptions of this rule are outlined in article 110-12 C of the National Electrical Code.



Siemens Energy & Automation, Inc.
Industry Sector
3333 Old Milton Parkway
Alpharetta, GA 30005
1-800-964-4114

info.sea@siemens.com

www.sea.siemens.com

Subject to change without prior notice
Order No.: CBSS-BLCUT-0709

All rights reserved
Printed in USA
© 2009 Siemens Energy & Automation, Inc.

The information provided in this brochure contains merely general descriptions or characteristics of performance which in case of actual use do not always apply as described or which may change as a result of further development of the products. An obligation to provide the respective characteristics shall only exist if expressly agreed in the terms of contract.

All product designations may be trademarks or product names of Siemens AG or supplier companies whose use by third parties for their own purposes could violate the rights of the owners.