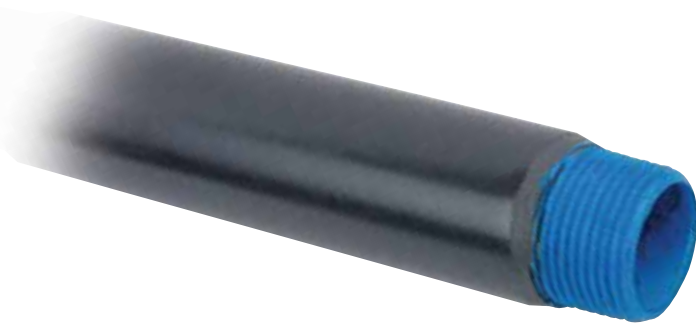


## Ocal-Blue conduit

The ultimate in corrosion protection



### Product features

- Hot-dip galvanized steel or aluminum conduit
- Nominal .002" (2 mil) blue urethane coating on interior
- Hot-dipped galvanized threads (steel)
- Minimum .040" (40 mil) PVC coating on exterior – in your choice of blue, white, gray or custom colors
- Color-coded thread protectors
- Couplings shipped with conduit are packaged separately

Ocal-Blue conduit



| Cat. No.             | Pipe Size (in.)<br>Metric Size Designator* | Outside Diameter Steel Only (in.) (mm) | Outside Diameter with PVC (in.) (mm) | Nominal Wall Thickness Steel Only (in.) (mm) | Nominal Wall Thickness with PVC (in.) (mm) | Nominal Inside Diameter (in.) (mm) | Cross Section Area in Square (in.) (mm) | Length without Couplings (ft) (m) | Minimum Weight per Foot Steel only (lbs) (kg) |       |
|----------------------|--|--|--------------------------------------|--|--|------------------------------------|---|-----------------------------------|---|-------|
|                      |  |  |                                      |  |  |                                    |   |                                   |   | Steel |
| COND1/2- <u>  </u>   | COND1/2SA- <u>  </u>                       | <b>1/2</b>                             | 0.84                                 | 0.92   | 0.10                                       | 0.14                               | 0.63                                    | 0.30                              | 9'11 1/4"                                     | 0.79  |
|                      |  | 16                                     | 21.30                                | 23.30  | 2.64                                       | 3.56                               | 16.10                                   | 7.72                              | 3.03  | 0.36  |
| COND3/4- <u>  </u>   | COND3/4SA- <u>  </u>                       | <b>3/4</b>                             | 1.05                                 | 1.13   | 0.11                                       | 0.15                               | 0.84                                    | 0.53                              | 9'11 1/4"                                     | 1.05  |
|                      |  | 21                                     | 26.70                                | 28.70  | 2.71                                       | 3.73                               | 21.20                                   | 13.53                             | 3.03  | 0.48  |
| COND1- <u>  </u>     | COND1SA- <u>  </u>                         | <b>1</b>                               | 1.32                                 | 1.40   | 0.13                                       | 0.17                               | 1.06                                    | 0.86                              | 9'11"   | 1.53  |
|                      |  | 27                                     | 33.40                                | 35.40  | 3.20                                       | 4.21                               | 27.00                                   | 21.94                             | 3.02  | 0.69  |
| COND1-1/4- <u>  </u> | COND1-1/4SA- <u>  </u>                     | <b>1 1/4</b>                           | 1.66                                 | 1.74   | 0.13                                       | 0.17                               | 1.39                                    | 1.50                              | 9'11"   | 2.01  |
|                      |  | 35                                     | 42.20                                | 44.10  | 3.37                                       | 4.39                               | 35.40                                   | 37.97                             | 3.02  | 0.91  |
| COND1-1/2- <u>  </u> | COND1-1/2SA- <u>  </u>                     | <b>1 1/2</b>                           | 1.90                                 | 1.98   | 0.14                                       | 0.18                               | 1.62                                    | 2.04                              | 9'11"   | 2.40  |
|                      |  | 41                                     | 48.30                                | 50.20  | 3.50                                       | 4.52                               | 41.20                                   | 51.71                             | 3.02  | 1.09  |
| COND2- <u>  </u>     | COND2SA- <u>  </u>                         | <b>2</b>                               | 2.38                                 | 2.46   | 0.15                                       | 0.19                               | 2.08                                    | 3.36                              | 9'11"   | 3.32  |
|                      |  | 53                                     | 60.30                                | 62.30  | 3.70                                       | 4.72                               | 52.90                                   | 85.21                             | 3.02  | 1.51  |
| COND2-1/2- <u>  </u> | COND2-1/2SA- <u>  </u>                     | <b>2 1/2</b>                           | 2.88                                 | 2.96   | 0.19                                       | 0.23                               | 2.49                                    | 4.80                              | 9'10 1/2"                                     | 5.27  |
|                      |  | 63                                     | 73.00                                | 75.00  | 4.90                                       | 5.91                               | 63.20                                   | 121.61                            | 3.01  | 2.39  |
| COND3- <u>  </u>     | COND3SA- <u>  </u>                         | <b>3</b>                               | 3.50                                 | 3.58   | 0.21                                       | 0.25                               | 3.09                                    | 7.39                              | 9'10 1/2"                                     | 6.83  |
|                      |  | 78                                     | 88.90                                | 90.90  | 5.20                                       | 6.22                               | 78.50                                   | 187.80                            | 3.01  | 3.10  |
| COND3-1/2- <u>  </u> | COND3-1/2SA- <u>  </u>                     | <b>3 1/2</b>                           | 4.00                                 | 4.08   | 0.22                                       | 0.26                               | 3.57                                    | 9.87                              | 9'10 1/4"                                     | 8.31  |
|                      |  | 91                                     | 101.60                               | 103.60                                       | 5.46                                       | 6.47                               | 90.70                                   | 250.60                            | 3.00  | 3.77  |
| COND4- <u>  </u>     | COND4SA- <u>  </u>                         | <b>4</b>                               | 4.50                                 | 4.58   | 0.23                                       | 0.27                               | 4.05                                    | 12.73                             | 9'10 1/4"                                     | 9.73  |
|                      |  | 103                                    | 114.30                               | 116.30                                       | 5.71                                       | 6.73                               | 102.90                                  | 323.34                            | 3.00  | 4.41  |
| COND5- <u>  </u>     | COND5SA- <u>  </u>                         | <b>5</b>                               | 5.56                                 | 5.64   | 0.25                                       | 0.29                               | 5.07                                    | 20.01                             | 9'10"   | 13.14 |
|                      |  | 129                                    | 141.30                               | 143.30                                       | 6.22                                       | 7.23                               | 128.90                                  | 508.15                            | 3.00  | 5.96  |
| COND6- <u>  </u>     | COND6SA- <u>  </u>                         | <b>6</b>                               | 6.63                                 | 6.71   | 0.27                                       | 0.31                               | 6.09                                    | 28.89                             | 9'10"   | 17.46 |
|                      |  | 155                                    | 168.30                               | 170.30                                       | 6.75                                       | 7.87                               | 154.80                                  | 733.83                            | 3.00  | 7.92  |

Note – Inches, feet and pounds are indicated in bold type. Metric measure is directly below bold type.  
 \* Metric size designator (ANSI C80.1-1994).

| Cat. No.  | Size       | Material      | Colour                                |
|---|------------|---------------|---------------------------------------|
| <b>COND 3/4</b>   | <b>3/4</b> | <b>—</b>      | <b>—</b>                              |
|   |            | Blank = Steel | <b>_</b> = space for color identifier |
|   |            | SA = Aluminum | G = Gray                              |
|   |            |               | W = White                             |
|   |            |               | B = Blue                              |
| Catalog No. Example:<br>COND3/4-G is 3/4" steel conduit coated in gray PVC. Custom colors also available. |            |               |                                       |



## Ocal-Blue couplings

Corrosion-protected connections for conduit sections



### Product features

- Nominal .002" (2 mil) blue urethane coating on interior and threads
- Minimum .040" (40 mil) PVC coating bonded to exterior – in your choice of blue, white, gray or custom colors
- Straight threads (NPS)
- Molded ribs on outer coating for easy installation (up to and including 4" trade size)
- Pressure-sealing sleeves protect your connection separately

### Ocal-Blue couplings



| Cat. No.            | Coupling Size (in.) Metric Size Designator* |              | Minimum Length of Metal (in.) (mm) | Total Minimum Length Including Sleeve (in.) (mm) | Weight Steel only (lbs) (kg) |
|---------------------|---|--------------|------------------------------------|--|------------------------------|
|                     | Steel                                       | Aluminium    |                                    |  |                              |
| CPL1/2- <u>  </u>   | CPL1/2SA- <u>  </u>                         | <b>1/2</b>   | <b>1.50</b>                        | <b>3.75</b>                                      | <b>0.13</b>                  |
|                     |   | 16           | 38.10                              | 95.25  | 0.06                         |
| CPL3/4- <u>  </u>   | CPL3/4SA- <u>  </u>                         | <b>3/4</b>   | <b>1.53</b>                        | <b>3.75</b>                                      | <b>0.19</b>                  |
|                     |   | 21           | 38.91                              | 95.25  | 0.85                         |
| CPL1- <u>  </u>     | CPL1SA- <u>  </u>                           | <b>1</b>     | <b>1.91</b>                        | <b>4.94</b>                                      | <b>0.33</b>                  |
|                     |   | 27           | 48.41                              | 139.70   | 0.15                         |
| CPL1-1/4- <u>  </u> | CPL1-1/4SA- <u>  </u>                       | <b>1 1/4</b> | <b>1.91</b>                        | <b>5.50</b>                                      | <b>0.43</b>                  |
|                     |   | 35           | 48.41                              | 139.70   | 0.19                         |
| CPL1-1/2- <u>  </u> | CPL1-1/2SA- <u>  </u>                       | <b>1 1/2</b> | <b>1.91</b>                        | <b>5.75</b>                                      | <b>0.56</b>                  |
|                     |   | 41           | 48.41                              | 146.05   | 0.25                         |
| CPL2- <u>  </u>     | CPL2SA- <u>  </u>                           | <b>2</b>     | <b>1.94</b>                        | <b>5.94</b>                                      | <b>0.77</b>                  |
|                     |   | 53           | 49.19                              | 150.79   | 0.35                         |
| CPL2-1/2- <u>  </u> | CPL2-1/2SA- <u>  </u>                       | <b>2 1/2</b> | <b>2.88</b>                        | <b>6.88</b>                                      | <b>1.85</b>                  |
|                     |   | 63           | 73.10                              | 174.70   | 0.83                         |
| CPL3- <u>  </u>     | CPL3SA- <u>  </u>                           | <b>3</b>     | <b>3.03</b>                        | <b>7.03</b>                                      | <b>2.70</b>                  |
|                     |   | 78           | 76.98                              | 178.58   | 1.22                         |
| CPL3-1/2- <u>  </u> | CPL3-1/2SA- <u>  </u>                       | <b>3 1/2</b> | <b>3.09</b>                        | <b>7.09</b>                                      | <b>3.78</b>                  |
|                     |   | 91           | 78.58                              | 180.18   | 1.70                         |
| CPL4- <u>  </u>     | CPL4SA- <u>  </u>                           | <b>4</b>     | <b>3.19</b>                        | <b>7.19</b>                                      | <b>3.08</b>                  |
|                     |   | 103          | 80.97                              | 182.57   | 1.39                         |
| CPL5- <u>  </u>     | CPL5SA- <u>  </u>                           | <b>5</b>     | <b>3.37</b>                        | <b>7.37</b>                                      | <b>5.00</b>                  |
|                     |   | 129          | 85.69                              | 187.29   | 2.25                         |
| CPL6- <u>  </u>     | CPL6SA- <u>  </u>                           | <b>6</b>     | <b>3.44</b>                        | <b>7.44</b>                                      | <b>8.00</b>                  |
|                     |   | 155          | 87.29                              | 188.89   | 3.60                         |

**Note** – Inches, feet and pounds are indicated in bold type. Metric measure is directly below bold type.

\* Metric size designator (ANSI C80.1-1994).

| Cat. No. | Size | Material | Colour |
|----------|------|----------|--------|
|----------|------|----------|--------|

**CPL 1 SA -**

Blank = Steel \_ = space for color identifier

SA = Aluminum G = Gray 

W = White 

B = Blue 

**Catalog No. Example:**

CPL1SA-B is a 1" aluminum coupling coated in blue PVC.

Custom colors also available.

## Ocal-Blue double-coat split couplings

Join threaded conduit where you can't use a standard coupling



TCC Split Coupling

Split couplings serve as speed unions for cost-effective joining of two separate lengths of threaded conduit. Like other Ocal fittings, they're double coated in urethane and PVC to safeguard your entire conduit system against corrosion.

### Product features

- Malleable iron construction
- Nominal .002" (2 mil) blue urethane on both interior and exterior
- Minimum .040" (40 mil) PVC bonded to exterior
- PVC coating in your choice of blue, white and gray standard colors with custom colors available on request
- Stainless steel hardware included separately

### Ocal-Blue double-coat split couplings

| Cat. No.        | Pipe Size (in.) | Metric Size Designator* |
|-----------------|-----------------|-------------------------|
| TCC1- <u>  </u> | 1/2             | 16                      |
| TCC2- <u>  </u> | 3/4             | 21                      |
| TCC3- <u>  </u> | 1               | 27                      |
| TCC4- <u>  </u> | 1 1/4           | 35                      |
| TCC5- <u>  </u> | 1 1/2           | 41                      |
| TCC6- <u>  </u> | 2               | 53                      |

\* Metric size designator (ANSI C80.1-1994).


| Cat. No.         | Pipe Size (in.) | Metric Size Designator* |
|------------------|-----------------|-------------------------|
| TCC7- <u>  </u>  | 2 1/2           | 63                      |
| TCC8- <u>  </u>  | 3               | 78                      |
| TCC9- <u>  </u>  | 3 1/2           | 91                      |
| TCC10- <u>  </u> | 4               | 103                     |
| TCC12- <u>  </u> | 5               | 129                     |
| TCC14- <u>  </u> | 6               | 155                     |


\* Metric size designator (ANSI C80.1-1994).

| Cat. No.   | Size     | Colour    |
|------------|----------|-----------|
| <b>TCC</b> | <b>1</b> | <b>  </b> |

   = space for color identifier

G = Gray 

W = White 

B = Blue 

Custom colors also available.

**Note:** The use of standard couplings is recommended whenever possible over the use of split couplings, because standard couplings provide better overall corrosion protection.

## Ocal-Blue nipples

Speed up your field installations with pre-threaded conduit nipples



### Product features

- Made from Ocal PVC-coated steel or aluminum conduit
- Blue urethane coating over threads
- Nominal .002" (2 mil) blue urethane on interior
- Minimum .040" (40 mil) PVC coating on exterior – choose blue, white, gray or custom colors
- Color-coded thread protectors for easy identification of conduit size
- Available in 11 standard lengths – close and 2" to 12" with custom lengths available on request
- Close nipples are coated only in urethane

### PVC-coated conduit nipples – steel



| Pipe Size (in.)<br>Metric Size* | Nipple Length (in.) (mm) |                  |                     |                  |                     |                  |                  |                  |                  |                   |                   |
|---------------------------------|--------------------------|------------------|---------------------|------------------|---------------------|------------------|------------------|------------------|------------------|-------------------|-------------------|
|                                 | Close                    | 2"<br>50.8       | 2½"<br>63.5         | 3"<br>76.2       | 3½"<br>88.9         | 4"<br>101.6      | 5"<br>127.0      | 6"<br>152.4      | 8"<br>203.2      | 10"<br>254.0      | 12"<br>304.8      |
| ½"                              | CLNPL1/2-<br>16          | NPL1/2X2-<br>16  | NPL1/2X21/2-<br>16  | NPL1/2X3-<br>16  | NPL1/2X31/2-<br>16  | NPL1/2X4-<br>16  | NPL1/2X5-<br>16  | NPL1/2X6-<br>16  | NPL1/2X8-<br>16  | NPL1/2X10-<br>16  | NPL1/2X12-<br>16  |
| ¾"                              | CLNPL3/4-<br>21          | NPL3/4X2-<br>21  | NPL3/4X21/2-<br>21  | NPL3/4X3-<br>21  | NPL3/4X31/2-<br>21  | NPL3/4X4-<br>21  | NPL3/4X5-<br>21  | NPL3/4X6-<br>21  | NPL3/4X8-<br>21  | NPL3/4X10-<br>21  | NPL3/4X12-<br>21  |
| 1"                              | CLNPL1-<br>27            | NPL1X2-<br>27    | NPL1X21/2-<br>27    | NPL1X3-<br>27    | NPL1X31/2-<br>27    | NPL1X4-<br>27    | NPL1X5-<br>27    | NPL1X6-<br>27    | NPL1X8-<br>27    | NPL1X10-<br>27    | NPL1X12-<br>27    |
| 1¼"                             | CLNPL11/4-<br>35         | NPL11/4X2-<br>35 | NPL11/4X21/2-<br>35 | NPL11/4X3-<br>35 | NPL11/4X31/2-<br>35 | NPL11/4X4-<br>35 | NPL11/4X5-<br>35 | NPL11/4X6-<br>35 | NPL11/4X8-<br>35 | NPL11/4X10-<br>35 | NPL11/4X12-<br>35 |
| 1½"                             | CLNPL11/2-<br>41         | NPL11/2X2-<br>41 | NPL11/2X21/2-<br>41 | NPL11/2X3-<br>41 | NPL11/2X31/2-<br>41 | NPL11/2X4-<br>41 | NPL11/2X5-<br>41 | NPL11/2X6-<br>41 | NPL11/2X8-<br>41 | NPL11/2X10-<br>41 | NPL11/2X12-<br>41 |
| 2"                              | CLNPL2-<br>53            | —                | NPL2X21/2-<br>53    | NPL2X3-<br>53    | NPL2X31/2-<br>53    | NPL2X4-<br>53    | NPL2X5-<br>53    | NPL2X6-<br>53    | NPL2X8-<br>53    | NPL2X10-<br>53    | NPL2X12-<br>53    |
| 2½"                             | CLNPL21/2-<br>63         | —                | —                   | —                | NPL21/2X31/2-<br>63 | NPL21/2X4-<br>63 | NPL21/2X5-<br>63 | NPL21/2X6-<br>63 | NPL21/2X8-<br>63 | NPL21/2X10-<br>63 | NPL21/2X12-<br>63 |
| 3"                              | CLNPL3-<br>78            | —                | —                   | —                | NPL3X31/2-<br>78    | NPL3X4-<br>78    | NPL3X5-<br>78    | NPL3X6-<br>78    | NPL3X8-<br>78    | NPL3X10-<br>78    | NPL3X12-<br>78    |
| 3½"                             | CLNPL31/2-<br>91         | —                | —                   | —                | —                   | NPL31/2X4-<br>91 | NPL31/2X5-<br>91 | NPL31/2X6-<br>91 | NPL31/2X8-<br>91 | NPL31/2X10-<br>91 | NPL31/2X12-<br>91 |
| 4"                              | CLNPL4-<br>103           | —                | —                   | —                | —                   | NPL4X4-<br>103   | NPL4X5-<br>103   | NPL4X6-<br>103   | NPL4X8-<br>103   | NPL4X10-<br>103   | NPL4X12-<br>103   |
| 5"                              | CLNPL5-<br>129           | —                | —                   | —                | —                   | —                | NPL5X5-<br>129   | NPL5X6-<br>129   | NPL5X8-<br>129   | NPL5X10-<br>129   | NPL5X12-<br>129   |
| 6"                              | CLNPL6-<br>155           | —                | —                   | —                | —                   | —                | —                | NPL6X5-<br>155   | NPL6X6-<br>155   | NPL6X8-<br>155    | NPL6X10-<br>155   |

\* Metric size designator (ANSI C80.1-1994).

Cat. No.      Size x Length      Material      Colour

**NPL 3/4 x 6**      — — — —

Blank = Steel    \_ = space for color identifier

SA = Aluminum      G = Gray     

W = White     

B = Blue     

**Catalog No. Example:**

**NPL3/4X6-G** is a ¾" x 6" long steel nipple coated in gray PVC.

Custom colors also available.


## Ocal-Blue nipples (continued)



### PVC-coated conduit nipples – Aluminum

| Pipe Size (in.)<br>Metric Size* | Close        | Nipple Length (in.) (mm) |                 |              |                 |              |              |              |              |               |               |
|---------------------------------|--------------|--------------------------|-----------------|--------------|-----------------|--------------|--------------|--------------|--------------|---------------|---------------|
|                                 |              | 2"                       | 2½"             | 3"           | 3½"             | 4"           | 5"           | 6"           | 8"           | 10"           | 12"           |
| 1/2"                            |              | 50.8                     | 63.5            | 76.2         | 88.9            | 101.6        | 127.0        | 152.4        | 203.2        | 254.0         | 304.8         |
| 16                              | CLNPL1/2SA-  | NPL1/2X2SA-              | NPL1/2X21/2SA-  | NPL1/2X3SA-  | NPL1/2X31/2SA-  | NPL1/2X4SA-  | NPL1/2X5SA-  | NPL1/2X6SA-  | NPL1/2X8SA-  | NPL1/2X10SA-  | NPL1/2X12SA-  |
| 3/4"                            | CLNPL3/4SA-  | NPL3/4X2SA-              | NPL3/4X21/2SA-  | NPL3/4X3SA-  | NPL3/4X31/2SA-  | NPL3/4X4SA-  | NPL3/4X5SA-  | NPL3/4X6SA-  | NPL3/4X8SA-  | NPL3/4X10SA-  | NPL3/4X12SA-  |
| 21                              | CLNPL1SA-    | NPL1X2SA-                | NPL1X21/2SA-    | NPL1X3SA-    | NPL1X31/2SA-    | NPL1X4SA-    | NPL1X5SA-    | NPL1X6SA-    | NPL1X8SA-    | NPL1X10SA-    | NPL1X12SA-    |
| 27                              | CLNPL11/4SA- | NPL11/4X2SA-             | NPL11/4X21/2SA- | NPL11/4X3SA- | NPL11/4X31/2SA- | NPL11/4X4SA- | NPL11/4X5SA- | NPL11/4X6SA- | NPL11/4X8SA- | NPL11/4X10SA- | NPL11/4X12SA- |
| 35                              | CLNPL11/2SA- | NPL11/2X2SA-             | NPL11/2X21/2SA- | NPL11/2X3SA- | NPL11/2X31/2SA- | NPL11/2X4SA- | NPL11/2X5SA- | NPL11/2X6SA- | NPL11/2X8SA- | NPL11/2X10SA- | NPL11/2X12SA- |
| 41                              | CLNPL2SA-    | —                        | NPL2X21/2SA-    | NPL2X3SA-    | NPL2X31/2SA-    | NPL2X4SA-    | NPL2X5SA-    | NPL2X6SA-    | NPL2X8SA-    | NPL2X10SA-    | NPL2X12SA-    |
| 53                              | CLNPL21/2SA- | —                        | —               | —            | NPL21/2X31/2SA- | NPL21/2X4SA- | NPL21/2X5SA- | NPL21/2X6SA- | NPL21/2X8SA- | NPL21/2X10SA- | NPL21/2X12SA- |
| 63                              | CLNPL3SA-    | —                        | —               | —            | NPL3X31/2SA-    | NPL3X4SA-    | NPL3X5SA-    | NPL3X6SA-    | NPL3X8SA-    | NPL3X10SA-    | NPL3X12SA-    |
| 78                              | CLNPL31/2SA- | —                        | —               | —            | —               | NPL31/2X4SA- | NPL31/2X5SA- | NPL31/2X6SA- | NPL31/2X8SA- | NPL31/2X10SA- | NPL31/2X12SA- |
| 91                              | CLNPL4SA-    | —                        | —               | —            | —               | NPL4X4SA-    | NPL4X5SA-    | NPL4X6SA-    | NPL4X8SA-    | NPL4X10SA-    | NPL4X12SA-    |
| 103                             | CLNPL5SA-    | —                        | —               | —            | —               | —            | NPL5X5SA-    | NPL5X6SA-    | NPL5X8SA-    | NPL5X10SA-    | NPL5X12SA-    |
| 129                             | CLNPL6SA-    | —                        | —               | —            | —               | —            | —            | NPL6X5SA-    | NPL6X6SA-    | NPL6X8SA-     | NPL6X12SA-    |
| 155                             |              |                          |                 |              |                 |              |              |              |              |               |               |

\* Metric size designator (ANSI C80.1-1994).

| Cat. No.  | Size x Length  | Material  | Colour  |
|---|----------------|---|---|
| <b>NPL</b>  | <b>3/4 x 6</b> | <b>—</b>  | <b>—</b>  |
|   |                | Blank = Steel    _ = space for color identifier |   |
|   |                | SA = Aluminum    G = Gray                       |  |
|   |                |   | W = White   |
|   |                |   | B = Blue  |
| <b>Catalog No. Example:</b>                                     |                |   |   |
| NPL3/4X6-G is a 3/4" x 6" long steel nipple coated in gray PVC. |                |   |   |
| Custom colors also available.                                   |                |   |   |

## Ocal-Blue standard-radius elbows

Factory bent to save wasted time and materials.



### Product features




- Fabricated from Ocal PVC-coated conduit
- Standard radii in 30°, 45°, 60° and 90° available for immediate shipment
- Color-coded thread protectors for easy identification of conduit size

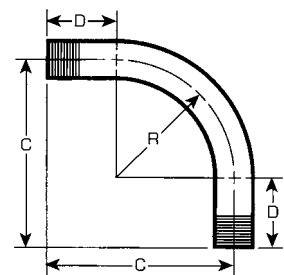
### Ocal-Blue standard-radius elbows



| Cat. No.   | Pipe Size     |           | Radius "R" |                         | Offset "C" |       | Straight End "D" |      | Unbent Length |       | Weight Steel only |       |         |
|------------|---------------|-----------|------------|-------------------------|------------|-------|------------------|------|---------------|-------|-------------------|-------|---------|
|            | Steel         | Aluminium | (in.)      | Metric Size Designator* | (in.)      | (mm)  | (in.)            | (mm) | (in.)         | (mm)  | (lbs)             | (kg)  |         |
| ELL1/2-_-  | ELL1/2-_-SA-  | 1/2       | 16         | 4.00                    | 101.60     | 6.00  | 152.40           | 2.00 | 50.80         | 10.28 | 261.19            | 0.67  | 16.95   |
| ELL3/4-_-  | ELL3/4-_-SA-  | 3/4       | 21         | 4.50                    | 114.30     | 6.50  | 165.10           | 2.00 | 50.80         | 11.07 | 281.14            | 0.95  | 24.07   |
| ELL1-_-    | ELL1-_-SA-    | 1         | 27         | 5.75                    | 146.05     | 8.00  | 203.20           | 2.25 | 57.15         | 13.53 | 343.71            | 1.77  | 44.97   |
| ELL11/4-_- | ELL11/4-_-SA- | 1 1/4     | 35         | 7.25                    | 184.15     | 9.50  | 241.30           | 2.25 | 57.15         | 15.89 | 403.56            | 2.55  | 64.80   |
| ELL11/2-_- | ELL11/2-_-SA- | 1 1/2     | 41         | 8.25                    | 209.55     | 11.00 | 279.40           | 2.75 | 69.85         | 18.46 | 468.86            | 3.98  | 101.13  |
| ELL2-_-    | ELL2-_-SA-    | 2         | 53         | 9.50                    | 241.30     | 13.00 | 330.20           | 3.50 | 88.90         | 21.92 | 556.83            | 6.33  | 160.86  |
| ELL21/2-_- | ELL21/2-_-SA- | 2 1/2     | 63         | 10.50                   | 266.70     | 14.00 | 355.60           | 3.50 | 88.90         | 23.49 | 596.73            | 9.65  | 245.09  |
| ELL3-_-    | ELL3-_-SA-    | 3         | 78         | 13.00                   | 330.20     | 16.50 | 419.10           | 3.50 | 88.90         | 27.42 | 696.48            | 15.42 | 391.77  |
| ELL31/2-_- | ELL31/2-_-SA- | 3 1/2     | 91         | 15.00                   | 381.00     | 20.75 | 527.05           | 5.75 | 146.05        | 35.06 | 890.57            | 23.30 | 591.84  |
| ELL4-_-    | ELL4-_-SA-    | 4         | 103        | 16.00                   | 406.40     | 21.75 | 552.45           | 5.75 | 146.05        | 36.63 | 930.47            | 29.68 | 753.80  |
| ELL5-_-    | ELL5-_-SA-    | 5         | 129        | 24.00                   | 609.60     | 31.00 | 787.40           | 7.00 | 177.80        | 51.70 | 1313.16           | 60.82 | 1544.89 |
| ELL6-_-    | ELL6-_-SA-    | 6         | 155        | 30.00                   | 762.00     | 39.00 | 990.60           | 9.00 | 228.60        | 65.12 | 1654.15           | 85.69 | 2176.51 |

\* Metric size designator (ANSI C80.1-1994).

| Cat. No.  | Pipe Size   | Angle       | Material      | Colour  |
|---|-------------|-------------|---------------|---|
| <b>ELL</b>  | <b>3/4-</b> | <b>-</b>    | <b>-</b>      | <b>-</b>  |
|   |             | 30 = 30°    | Blank = Steel |   |
|   |             | 45 = 45°    | SA = Aluminum | G = Gray   |
|   |             | 60 = 60°    |               | W = White  |
|   |             | Blank = 90° |               | B = Blue   |
| <b>Catalog No. Example:</b>   |             |             |               | Custom colors also available.   |
| ELL3/4X6-G is a 3/4" trade size 90° aluminum elbow coated in white PVC. |             |             |               |   |



## Ocal-Blue large-radius elbows

Choose the size and angle to meet your exact requirements



### Product features




- Fabricated from Ocal PVC-coated conduit
- Large radius in 90° available for immediate shipment
- Special radii and angles not listed available upon request
- Color-coded thread protectors for easy identification of conduit size

Ocal-Blue large-radius elbows



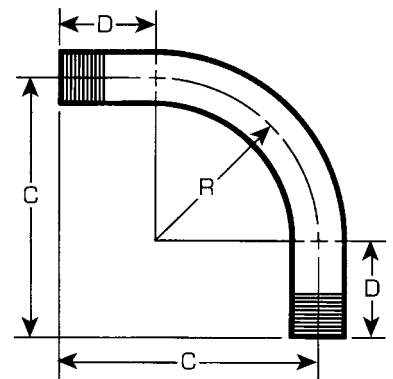
| Cat. No.       | Steel | Aluminium         | Pipe Size (in.)                  | Metric Size Designator* | Radius "R" |          | Offset "C" |          | Straight End "D" |        | Unbent Length (mm) |          |
|----------------|-------|-------------------|----------------------------------|-------------------------|------------|----------|------------|----------|------------------|--------|--------------------|----------|
|                |       |                   |                                  |                         | (in.)      | (mm)     | (ft/in.)   | (mm)     | (in.)            | (mm)   |                    | (ft/in.) |
| LRELL_X12-_-_- |       | LRELL_X12-_-SA-_- | 1-2 <sup>1</sup> / <sub>2</sub>  | 27-63                   | 12.00      | 304.80   | 1' 9"      | 533.40   | 9.00             | 228.60 | 3' 0"              | 914.40   |
| LRELL_X15-_-_- |       | LRELL_X15-_-SA-_- | 1-3                              | 27-78                   | 15.00      | 381.00   | 2' 0"      | 609.60   | 9.00             | 228.60 | 3' 6"              | 1,066.80 |
| LRELL_X18-_-_- |       | LRELL_X18-_-SA-_- | 1-4                              | 27-103                  | 18.00      | 457.20   | 2' 4"      | 711.20   | 10.00            | 254.00 | 4' 0"              | 1,219.20 |
| LRELL_X24-_-_- |       | LRELL_X24-_-SA-_- | 1-4                              | 27-103                  | 24.00      | 609.60   | 2' 11"     | 889.00   | 11.00            | 279.40 | 4' 11"             | 1,498.60 |
| LRELL_X30-_-_- |       | LRELL_X30-_-SA-_- | 1-5                              | 27-129                  | 30.00      | 762.00   | 3' 5"      | 1,041.40 | 11.00            | 279.40 | 5' 9"              | 1,752.60 |
| LRELL_X36-_-_- |       | LRELL_X36-_-SA-_- | 1-6                              | 27-155                  | 36.00      | 914.40   | 3' 11"     | 1,193.80 | 11.00            | 279.40 | 6' 6"              | 1,981.20 |
| LRELL_X42-_-_- |       | LRELL_X42-_-SA-_- | 1-6                              | 27-155                  | 42.00      | 1,066.80 | 4' 6"      | 1,371.60 | 12.00            | 304.80 | 7' 6"              | 2,286.00 |
| LRELL_X48-_-_- |       | LRELL_X48-_-SA-_- | 1-6                              | 27-155                  | 48.00      | 1,219.20 | 5' 0"      | 1,524.00 | 12.00            | 304.80 | 8' 6"              | 2,590.80 |
| LRELL_X60-_-_- |       | LRELL_X60-_-SA-_- | 2 <sup>1</sup> / <sub>2</sub> -6 | 63-155                  | 60.00      | 1,524.00 | 6' 0"      | 1,828.80 | 12.00            | 304.80 | 9' 10"             | 2,997.20 |

\* Metric size designator (ANSI C80.1-1994).

| Cat. No.  | Pipe Size | Radius      | Angle         | Material  | Colour  |
|---|-----------|-------------|---------------|-----------|---|
| <b>LRELL</b> <b>X</b> <b>12-</b> <b>-</b> <b>-</b> <b>-</b> |           |             |               |           |   |
|   | 1 = 1     | 30 = 30°    | Blank = Steel |           |   |
|   | 2 = 2     | 45 = 45°    | SA = Aluminum | G = Gray  |  |
|   |           | 60 = 60°    |               | W = White |  |
|   |           | Blank = 90° |               | B = Blue  |  |

**Catalog No. Example:**  
**LRELL3X18-45-G** is a 3" trade size steel elbow with radius of 18" and an angle of 45°, coated in gray PVC.

Custom colors also available.



## Ocal PVC-coated beam clamps and U-bolts

PVC coating evenly molded around saddle prevents exposure of metal – an Ocal exclusive



Parallel (PAR)



Edge (EC)

### Product features

- Beam clamps support and attach conduit runs to structural beams
- Molded right-angle beam clamps and U-bolts provide extra protection
- Encapsulated, hex-shaped nuts fit standard wrenches
- Stainless steel hardware included
- Parallel (PAR) and edge (EC) clamps feature nominal .015" (15 mil) PVC coating for corrosion protection
- Right-Angle clamps (RA) and U-Bolts (UB) feature nominal .040" (40 mil) PVC coating for corrosion protection

### PVC-coated beam clamps

| Cat. No.           | Parallel            | Edge               | Pipe Size (in.) | Metric Size Designator* |
|--------------------|---------------------|--------------------|-----------------|-------------------------|
| RA1/2- <u>  </u>   | PAR1/2- <u>  </u>   | EC1/2- <u>  </u>   | 1/2             | 16                      |
| RA3/4- <u>  </u>   | PAR3/4- <u>  </u>   | EC3/4- <u>  </u>   | 3/4             | 21                      |
| RA1- <u>      </u> | PAR1- <u>      </u> | EC1- <u>      </u> | 1               | 27                      |
| RA1-1/4- <u>  </u> | PAR1-1/4- <u>  </u> | EC1-1/4- <u>  </u> | 1 1/4           | 35                      |
| RA1-1/2- <u>  </u> | PAR1-1/2- <u>  </u> | EC1-1/2- <u>  </u> | 1 1/2           | 41                      |
| RA2- <u>      </u> | PAR2- <u>      </u> | EC2- <u>      </u> | 2               | 53                      |
| RA2-1/2- <u>  </u> | PAR2-1/2- <u>  </u> | —                  | 2 1/2           | 63                      |
| RA3- <u>      </u> | PAR3- <u>      </u> | —                  | 3               | 78                      |
| RA3-1/2- <u>  </u> | PAR3-1/2- <u>  </u> | —                  | 3 1/2           | 91                      |
| RA4- <u>      </u> | PAR4- <u>      </u> | —                  | 4               | 103                     |

Metric size designator (ANSI C80.1-1994).

### PVC-coated U-bolts

| Cat. No.           | Pipe Size (in.) | Metric Size Designator* | "A" Dimension |        |
|--------------------|-----------------|-------------------------|---------------|--------|
|                    |                 |                         | (in.)         | (mm)   |
| UB1/2- <u>  </u>   | 1/2             | 16                      | 1.38          | 34.93  |
| UB3/4- <u>  </u>   | 3/4             | 21                      | 1.56          | 39.69  |
| UB1- <u>      </u> | 1               | 27                      | 1.84          | 46.83  |
| UB1-1/4- <u>  </u> | 1 1/4           | 35                      | 2.19          | 55.56  |
| UB1-1/2- <u>  </u> | 1 1/2           | 41                      | 2.50          | 63.50  |
| UB2- <u>      </u> | 2               | 53                      | 2.97          | 75.41  |
| UB2-1/2- <u>  </u> | 2 1/2           | 63                      | 3.47          | 88.11  |
| UB3- <u>      </u> | 3               | 78                      | 4.09          | 103.98 |
| UB3-1/2- <u>  </u> | 3 1/2           | 91                      | 4.59          | 116.68 |
| UB4- <u>      </u> | 4               | 103                     | 5.09          | 129.38 |
| UB5- <u>      </u> | 5               | 129                     | 6.63          | 168.28 |
| UB6- <u>      </u> | 6               | 155                     | 8.00          | 203.20 |

Metric size designator (ANSI C80.1-1994).

| Cat. No. | Colour |
|----------|--------|
|----------|--------|

### RA1-

   = space for color identifier

G = Gray 

W = White 

B = Blue 

Custom colors also available.



Right Angle (RA)

| Cat. No. | Size | Colour |
|----------|------|--------|
|----------|------|--------|

### UB 1-

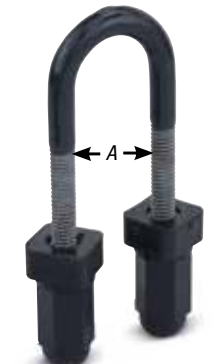
   = space for color identifier

G = Gray 

W = White 

B = Blue 

Custom colors also available.



U-Bolt (UB)



## Pipe Straps

Support conduit on walls and structures



Fig. 1



Fig. 2



Fig. 3

One-hole PV coated pipe ptrap



Fig. 4



Fig. 5

Two-hole PVC-coated pipe strap

### Product features

- Available in malleable iron/stamped steel with nominal .015" (15 mil) PVC coating in your choice of blue, white or gray or in 303 stainless steel
- Choose one- or two-hole versions
- Sized to allow for the extra thickness of the PVC coating

### PVC-coated pipe straps

| Cat. No.                        | Pipe Size (in.) | Figure |
|---------------------------------|-----------------|--------|
| <b>One-Hole malleable iron</b>  |                 |        |
| 1277CR*                         | 1/2             | 1      |
| 1278CR*                         | 3/4             | 1      |
| 1HS1C-G**                       | 1               | 2      |
| 1HMS1-1/4-G**                   | 1 1/4           | 3      |
| 1280CR*                         | 1 1/2           | 1      |
| 1HMS2-C_                        | 2               | 4      |
| 1HMS2-1/2-C_                    | 2 1/2           | 4      |
| 1HMS3-C_                        | 3               | 4      |
| 1HMS4-C_                        | 4               | 4      |
| <b>Two holes malleable iron</b> |                 |        |
| 2HMS2-C_                        | 2               | 5      |
| 2HMS2-1/2-C_                    | 2 1/2           | 5      |
| 2HMS3-C_                        | 3               | 5      |
| 2HMS4-C_                        | 4               | 5      |

\* CSA certified

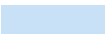
\*\* UL non applicable

| Cat. No. | Colour |
|----------|--------|
|----------|--------|

\_ = space for color identifier

G = Gray 

W = White 

B = Blue 

Custom colors also available.

## Ocal PVC-coated clamp-back spacers

Use as spacers with one-hole pipe straps



### Product features

- Provides space for air flow between conduit and mounting surface
- Nominal .015" (15 mil) PVC coating for corrosion protection

### Ocal PVC-coated clamp-back spacers

| Cat. No.   | Pipe Size (in.) | Metric Size Designator* |
|------------|-----------------|-------------------------|
| CB1/2- _   | 1/2             | 16                      |
| CB3/4- _   | 3/4             | 21                      |
| CB1- _     | 1               | 27                      |
| CB1-1/4- _ | 1 1/4           | 35                      |
| CB1-1/2- _ | 1 1/2           | 41                      |
| CB2- _     | 2               | 53                      |
| CB2-1/2- _ | 2 1/2           | 63                      |
| CB3- _     | 3               | 78                      |
| CB3-1/2- _ | 3 1/2           | 91                      |
| CB4- _     | 4               | 103                     |

| Cat. No. | Colour |
|----------|--------|
|----------|--------|

### CB1-

\_ = space for color identifier

G = Gray 

W = White 

B = Blue 

Custom colors also available.