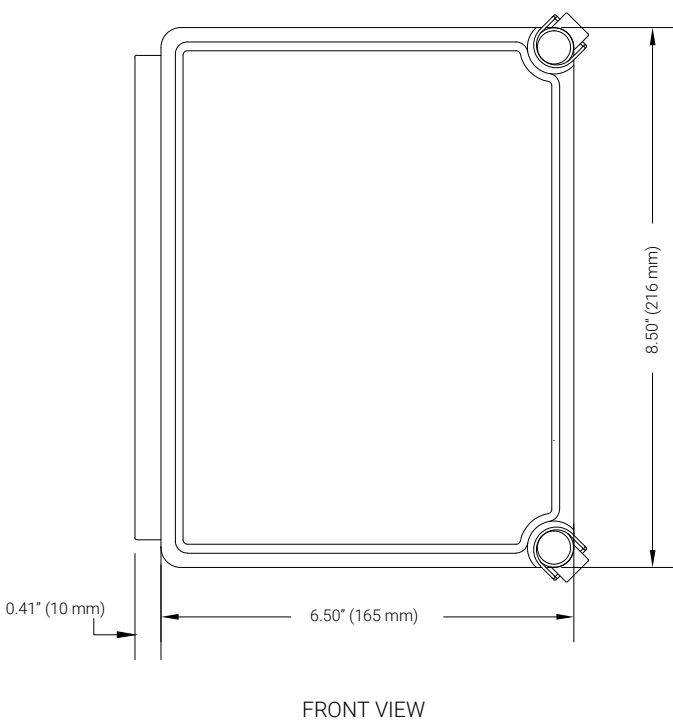


MI POWER AND SPLICE BOX JUNCTION BOX WITH PRE-DRILLED EARTHING PLATE FOR USE WITH MI HEATING UNITS



PRODUCT OVERVIEW

The efficient design and simple construction of these enclosures make them durable in corrosive environments, yet aesthetically pleasing.

Corner latches provide unobstructed access. The continuous hinge pin provides a secure seal and double latching creates added security.

Typically, it is used as a single cable power junction box or splice box:

- One power cable in and two MI cables out
- One power cable in, one power cable out and one MI cable out
- Two D or E design MI cables in and two D or E design MI cables out (splice box)
- Three B design MI cables in and three B design MI cables out (splice box)
- Star termination for 3-phase B design MI cables
- 3-phase energization of three B design MI cables

CONSTRUCTION

- Compression molded fibreglass has outstanding chemical and temperature resistance qualities and exhibits excellent weatherability and physical properties
- Light gray finish inside and out
- Gasket assures water-tight and dust-tight seal
- Polyester mounting tabs and stainless steel attachment screws are provided with each enclosure
- Two corrosion resistant polyester quick release latches are located in corners to provide unobstructed access to enclosure
- Removable hinged cover attached to body with stainless steel hinge pin
- Hinge pin and bail are corrosion resistant Type 316 stainless steel
- Padlock provisions included in each latch
- Inside dimensions: 8" high x 6" wide x 4" deep (200 x 150 x 100 mm)
- Box includes earthing plate on three sides and back of box and is pre-punched for eight 1/2" and three 3/4" hubs
- Entries: Up to 8 x 1/2" and 3 x 3/4" - Use a step bit to drill out or enlarge any holes in fibreglass required for hubs/ connectors

APPROVALS

CSA approved Type 4X enclosure and certified electrical assembly

Area classification - Hazardous locations CL I Division 2 (Zone 2), Groups A,B,C,D T5

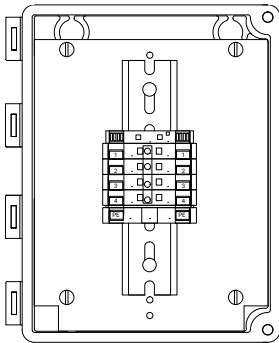
Enclosure type: Type 4X

Ambient temperature rating: -50°C to +40°C

Enclosure flammability evaluated per UL 508A



ELECTRICAL SPECIFICATIONS



Maximum operating voltage 600Vac

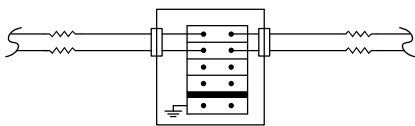
Maximum 65A per terminal, rated 18AWG to 6AWG

Consider MI cold lead cable gland size, hub size and power cable size in selecting appropriate box

Power cable gland and hubs for MI cold lead glands not included

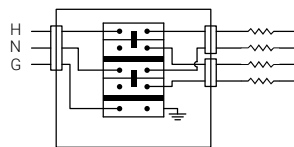
TYPICAL ELECTRICAL CONNECTION OPTIONS

MIJB-864-A-SPLC



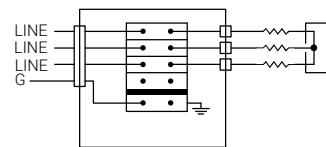
- USED TO SPLICE E DESIGN MI CABLES WITH E OR D DESIGN CABLES.
- FIELD TO REMOVE 4-POLE JUMPER.

MIJB-864-A-PARALLEL



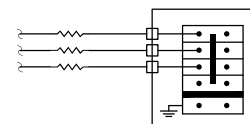
- USE WITH A, E OR D DESIGN MI CABLES.
- FIELD TO CUT 4-POLE JUMPER INTO TWO 2-POLES, AND INSTALL LOOSE END PLATE (INCLUDED)

MIJB-864-A-3PWR

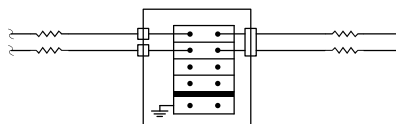


- USE WITH B DESIGN MI CABLES.
- USE AN MIJB-864-A-STAR TO TERMINATE OR A MIJB-864-A-SPLC TO CONTINUE THE 3-PHASE HEATER CABLE.
- FIELD TO REMOVE 4-POLE JUMPER.

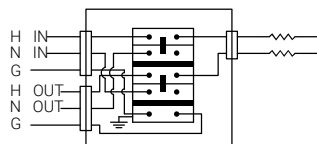
MIJB-864-A-STAR



- USED TO TERMINATE 3 PHASE B DESIGN MI CABLES.

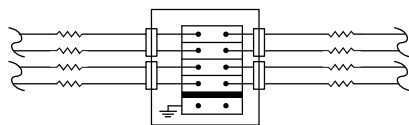


- USED TO SPLICE B DESIGN TO A DESIGN MI CABLES.
- FIELD TO REMOVE 4-POLE JUMPER.

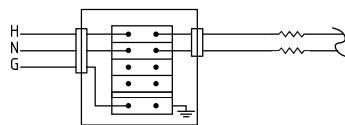


- USE WITH A, E OR D DESIGN MI CABLES.
- FIELD TO CUT 4 POLE JUMPER INTO TWO 2-POLES, AND INSTALL LOOSE END PLATE (INCLUDED)

MIJB-864-A-PWR

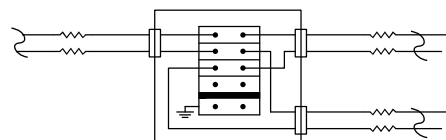


- USED TO SPLICE E-TYPE MI CABLES WITH E OR D DESIGN CABLES.
- FIELD TO REMOVE 4-POLE JUMPER.

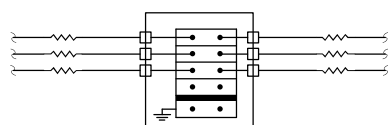


- USE WITH A, E OR D DESIGN MI CABLES.
- FIELD TO CUT 4 POLE JUMPER INTO TWO 2-POLES, AND INSTALL LOOSE END PLATE (INCLUDED)

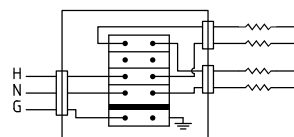
MIJB-864-A-SERIES



- USE WITH A, E OR D DESIGN MI CABLES.
- FIELD TO REMOVE 4-POLE JUMPER.

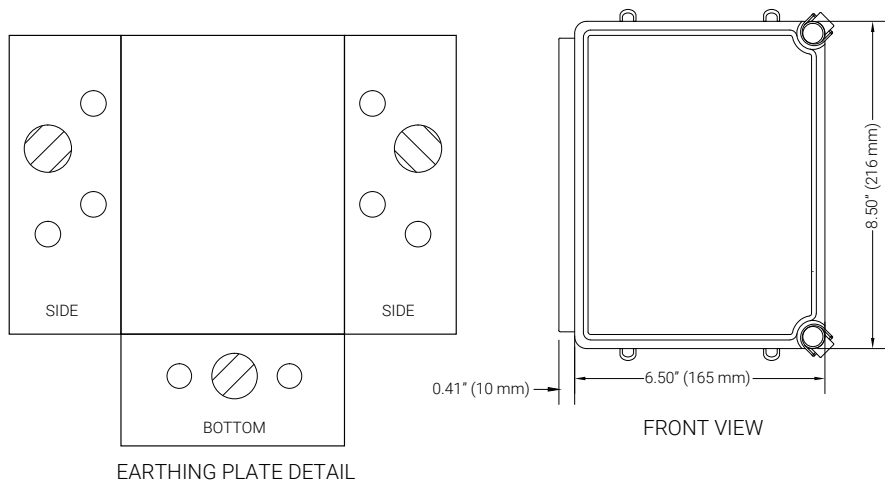


- USED TO SPLICE B DESIGN MI CABLES. (TYPICALLY 3 PHASE)
- FIELD TO REMOVE 4-POLE JUMPER.



- USE WITH A, E OR D DESIGN MI CABLES.
- FIELD TO REMOVE 4-POLE JUMPER.

ENCLOSURE DETAIL



- Junction boxes can be mounted using holes in back and screws provided, or using four mounting tabs supplied
- Hinge can be moved to other side of box by rotating earthing plate 180°
- Earthing plate is fabricated from galvanized steel, and is bonded to internal PE terminal block for bonding of hubs and connectors
- No bonding wires are required between the hubs, connectors and PE terminal blocks.

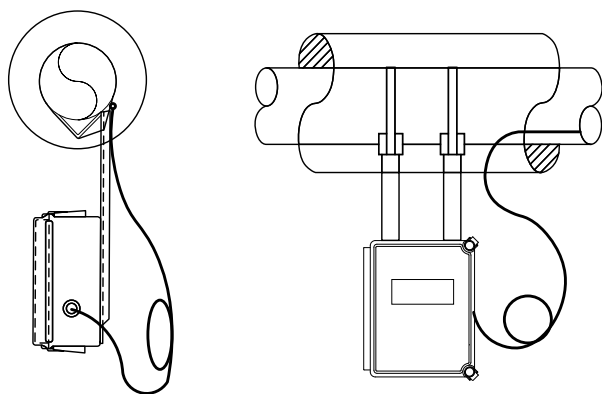
- 1-1/8" HOLE FOR 3/4" CONDUIT HUB/CONNECTOR
- 7/8" HOLE FOR 1/2" CONDUIT HUB/CONNECTOR

GENERAL

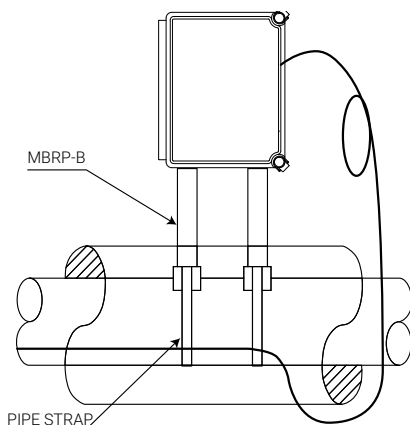
Lamacoids are not included.

Two mounting brackets (MBRP-B) and two pipe straps or alternate mounting method must be ordered separately for installation on pipe.

ENCLOSURE MOUNTING BRACKET

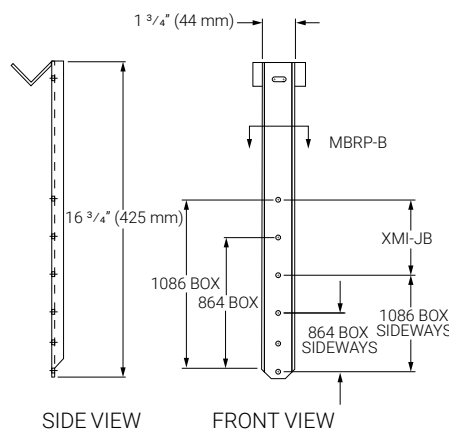


BOTTOM MOUNT



MBRP-B Product Overview

- Mounting bracket for MIJB series fiberglass enclosures which enables enclosure installation and connection prior to application of insulation and cladding
- Installation time reduction as electrician does not need to return after cladding is installed
- 304SS Stainless steel pipe support bracket for nVent RAYCHEM MIJB-864-A, MIJB-1086-A and MIJB-1086-B fiberglass enclosures
- Two brackets are required to support each enclosure. Each bracket requires one pipe strap
- Suitable for pipe temperatures up to 900°F (480°C)
- Stainless steel is a poor conductor of heat so the bracket is not hot or a heat sink



ORDERING DETAILS

Description	Catalog number	Part number	Weight/lbs
Enclosure	MIJB-864-A	T0002069	4.50 lbs
Spare Parts and Accessories			
Mounting Bracket for MIJB series fiberglass enclosures	MBRP-B	T0002003	1.1 lbs