

IP Video Intercom Kit

Outdoor Station, Indoor Monitor, and a PoE Switch



System Overview

The DHI-KTP01(S) IP Video Intercom kit is a complete solution that includes an outdoor station with wide-angle camera, a color indoor monitor, and accessories to mount and power the components. The kit allows a tenant to view and talk with visitors and remotely unlock doors all from the indoor monitor. The IP outdoor station includes a 2 MP wide angle camera with two-way talk and is suitable for most outdoor applications. The kit is powered by PoE via the included 4-port PoE Ethernet switch, making installation easier, without the need to install additional dedicated power cables.

Technical Specification

DHI-VTO2202F-P IP Outdoor Station

System

Main Processor	Embedded Micro Processor
Supported Devices	<ul style="list-style-type: none"> up to 20 VTO stations up to 10 VTH monitors (devices must be powered via PoE and be on the same network)

Video

Video Compression	H.264
Image Sensor	1/2.8-in. CMOS Sensor
Resolution	2 MP at 30 fps
Lens	2 mm
Angle of View	Horizontal: 160° Vertical: 82° Diagonal: 180°
Day/Night	ICR

Audio

Compression	G.711U
Input	Built-in Omnidirectional Microphone
Output	Built-in Loudspeaker
Communication Method	Digital

IP Outdoor Station

- 2 MP Wide Angle Camera with Night Vision
- Built-in Microphone with Two-way Talk and Group Call
- Aluminum Panel can be Surface- or Flush-mounted
- IP65 Ingress Protection and IK07 Vandal Resistance
- Power via PoE

IP Indoor Monitor

- 7-inch TFT Screen, 1024 x 600 Resolution
- Integrated 8 GB Micro SD Card
- Setup and Activate up to Six (6) Alarm Inputs
- Wall-mount Installation
- Power via PoE

Interface

Door Control	One (1) Relay Out for Main Lock
Alarm Input	Two (2) Channels: <ul style="list-style-type: none"> • One (1) Channel, Unlock Button • One (1) Channel, Feedback
Tamper Switch	One (1)
RS485	One (1) Port
Status Indicators	Calling, Communication, Unlocked

Network

Ethernet	10/100 Mbps, Self-adaptive
Network Protocol	TCP/IP
Video Bit Rate	256 kbps to 2 Mbps
Storage	Extended 64 GB TF Card

Certifications

Safety	EN 60950-1:2006 + A11:2009 + A1:2010 + A12:2011 + A2:2013 IEC 60950-1:2005 (Second Edition); Am1:2009 + Am2:2013
Electromagnetic Compatibility (EMC)	FCC CFR 47 Part 15 subpart B, 2018 EN 55032:2015; EN 610003 2:2014; EN 61000 3 3:2013; EN 55024:2010/A1:2015; EN 55035:2017; EN 50130 4:2011/A1:2014

Electrical

Power Input	PoE (IEEE802.3af Class 0)
Power Output	12 VDC, 100 mA
Power Consumption	≤ 12 W

Construction

Housing Material	Aluminum
Dimensions	130.0 mm x 96.0 mm x 28.50 mm (5.12 in. x 3.78 in. x 1.12 in.)
Net Weight	0.35 kg (0.77 lb)
Installation Method	Surface- or Flush-mount

Environmental

Operating Temperature	-30° C to +60° C (-22° F to 140° F)
Ingress Protection	IP65
Vandal Resistance	IK07

Technical Specification**DHI-VTH2421FW-P Indoor Monitor**

System

Main Processor	High-performance Embedded Processor
Operating System	Embedded Linux

Display

Viewing Area	7-in. TFT LCD, Capacitive
Resolution	1024 x 600
Input	Touchscreen Technology, and Mechanical Keys

Audio

Mode	Full Digital Two-way Bidirectional Talk
Compression	G.711A, G.711U, PCM
Input	Built-in Omnidirectional Microphone
Output	Built-in 1.5 W Loudspeaker
Enhancement	Echo Cancellation, DNR
Bit Rate	16 Kbps

Interface

Alarm	Input: Six (6) Channels Output: One (1) Channel
-------	--

Network

Video Compression	H.264
Ethernet	One (1) RJ-45 Connection
Network Protocol	TCP/IP
Storage	MicroSD Card Slot, up to 32 GB (unit ships with an embedded 8 GB MicroSD Card)

Certifications

Safety	EN 60950-1:2006 + A11:2009 + A1:2010 + A12:2011 + A2:2013 IEC 60950-1:2005 (Second Edition); Am1:2009 + Am2:2013
Electromagnetic Compatibility (EMC)	FCC CFR 47 Part 15 subpart B EN 55032:2015; EN 61000 2:2014; EN 61000 3 3:2013; EN 55024:2010/A1:2015; EN 55035:2017; EN 50130 4:2011/A1:2014

Electrical

Power Input	PoE (IEEE802.3af Class 0)
Power Consumption	Standby: ≤ 4 W Operation: ≤ 6 W

Environmental

Operating Temperature	-10° C to +55° C (14° F to +131° F)
Operating Humidity	10% to 95%, Relative

Construction

Material	PC + ABS
Dimensions	119.60 mm x 221.50 mm x 21.50 mm (4.71 in. x 8.72 in. x 0.85 in.)
Net Weight	0.35 kg (0.77 lb)
Installation	Wall-mount

Technical Specification**DH-PFS3005-4ET-60 PoE Switch**

Features	<ul style="list-style-type: none"> Layer Two Commercial Switch PoE Power Management
Ethernet Ports	One (1) 10/100 Base-T Four (4) 10/100 Base-T (PoE power supply)
PoE Power Consumption	Port 1: ≤ 60 W (Hi-PoE) Ports 2 - 4: ≤ 30 W Total Power Consumption: ≤ 60 W
PoE PIN Assignment	1, 2, 4, 5 (V+), 3, 6, 7, 8 (V-)
PoE Protocol	PoE (IEEE802.3af), PoE+ (IEEE802.3at), Hi-PoE
PoE Distance	250.0 m (820.21 ft)
Switching Capacity	1 Gbps
Packet Forwarding Rate	744 Kpps
Packet Buffer Memory	448 Kb
MAC Table Size	1K
Flow Control	Enable
Power Requirements	51 VDC, 1.25 A Power Adapter
Operating Conditions	-10° C to 50° C (14° F to 122° F)
Application Humidity	5% to 95%
Lightning Protection	Common Mode: 2 KV Differential Mode: 1 KV
ESD Protection	Air Discharge: 8 KV Contact Discharge: 6 KV
Dimensions (W x D x H)	130.0 mm x 85.0 mm x 26.0 mm (5.12 in. x 3.35 in. x 1.02 in.)
Weight	0.30 kg (0.57 lb)
Standards	IEEE802.3, IEEE802.3u, IEEE802.3X

Ordering Information

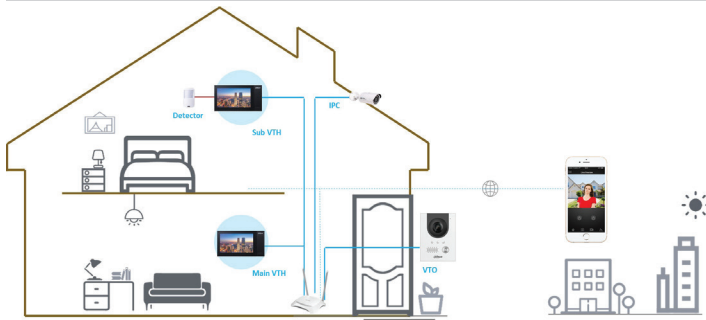
Type	Part Number	Description
Intercom Kit	DHI-KTP01	
	DHI-VTO2202F-P	2 MP CMOS Outdoor Station, IP
	DHI-VTH2421FW-P	7-in. TFT Color Monitor, IP
	DH-PFS3005-4ET-60	4-port PoE Switch
	VTM115	Surface-mount Box for DHI-VTO2202F-P
Accessories, optional	VTM114	Flush-mount Box for DHI-VTO2202F-P

Accessories



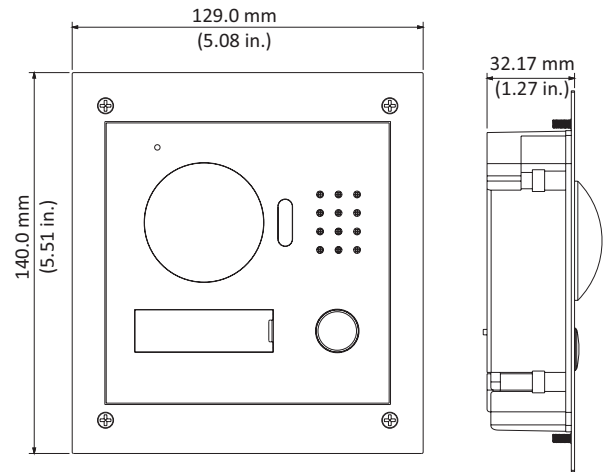
VTM114
Flush-mount Box

Application

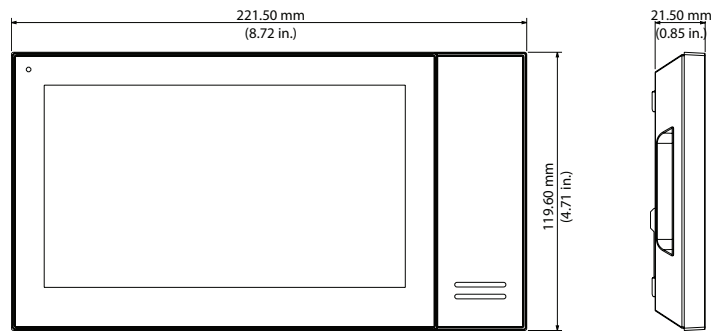


Dimensions (mm/in.)

DHI-VTO2202F-P



DHI-VTH2421FW-P



VTM115 Surface-mount Box

