



**Cable Protector providing protection to temporary power installations**

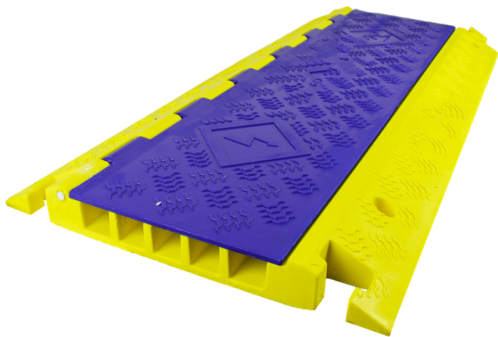
## Provide and Protect Temporary Power to Jobsites, Events and Industrial Environments

Legrand's temporary power solutions are designed to provide safe, quick and convenient power sources for both indoor and outdoor applications. The family of products include both power distribution units (PDUs) and cable protectors that are tough and durable, built for deploying temporary power to a wide variety of environments. The Power Distribution units are ideal for quickly and safely meeting temporary power requirements while the cable protectors provide best-in-class protection of cables in heavily trafficked environments.

### Features & Benefits

#### Cable Protectors

- **Tough & Durable Construction:** Best-in-class load ratings, up to 50,000 lbs/axle with heavy duty protector
- **Large Capacity:** 2.25" linear sections with rounded dividers to protect cables from snags and tears
- **Enhanced Productivity:** Protectors include integrated stake-down holes, t-style connector interlocks and built-in handle on the back
- **Ensure Safety:** High visibility yellow and blue color and low profile prevents tripping hazards and tread plate surface provides improved traction




#### Power Distribution Units

- **Rugged Construction:** Heavy-duty power-coated steel skids and no plastic flip lids to ensure dependable job site performance
- **Weather Resistant:** PDUs with flip covers are NEMA 3R-rated for outdoor use
- **Automatic Power-Up GFCIs:** Ensure GFCIs are ready-to-use when powered on, requiring only a push to reset after a trip
- **Feed-Through Capability:** Units are feed-through capable to allow for daisy chaining of multiple units



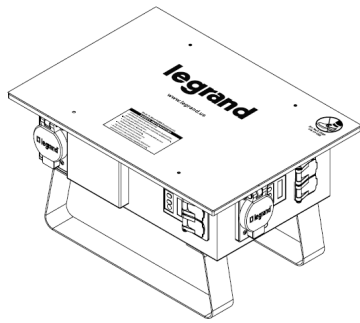
### Compliance

 **Power Distribution Units:** cETLus Listed to CSA C22.2 No. 107.1 and UL1640  
NEMA 3R Weather Resistance

## Spider Box Ordering Information

**Catalog No./Item**

XDU50A



**Description / Specifications**

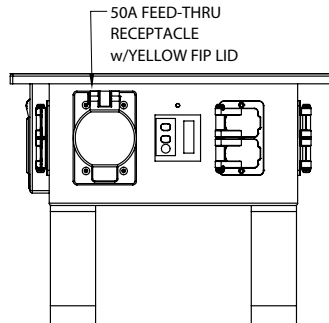
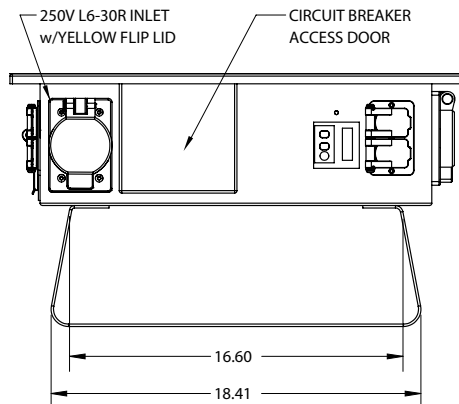
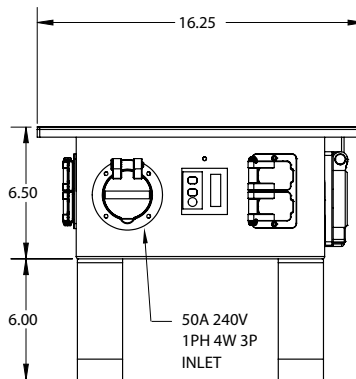
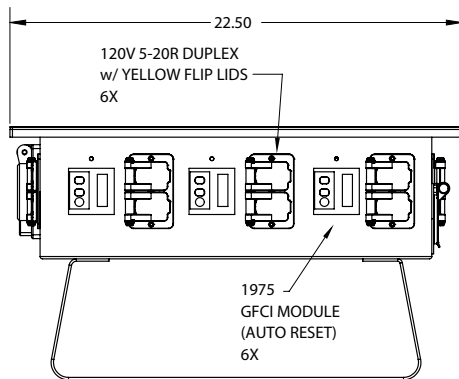
**50A Spider Box** – Heavy duty power distribution unit with NEMA 3R weather resistance rated for indoor and outdoor use. Includes a CS6375 input for power and CS6369 outlet for mains feed-thru to daisy-chain to other units. The unit includes six (6) NEMA 5-20R Duplex, GFCI-protected receptacles and one (1) L6-30R receptacle. Flip covers are installed on all receptacles and inlets.

**Country of Origin: China**

**Technical Specifications**

Electrical Rating	50A 125/250V
Enclosure	Steel Welded Powder Coated
Color	Yellow and Blue
Environmental Rating / NEMA Rating	Indoor / Outdoor 3R
Main Power Inlet	4W CS6375
Main Power Outlet (Mains Feed-Thru)	4W CS6369
Weight	34 LBS.
Dimensions (L x W x H)	22.5" x 16.25" x 11.75"
Receptacle A Type	6 x NEMA 5-20R Duplex (125V, 20A) with GFCI Protection
Receptacle A Overload Protection	Yes – 1P 20A C.B. (1 per duplex)
Receptacle B Type	1 x L6-30R (250V, 30A)
Receptacle B Overload Protection	Yes – 2P Non-GFCI
Outlet Protection	Flip Covers on all outlets and inlet

**Dimensions:**



## Rugged PDU Ordering Information

**Catalog No./Item**

XDU30AHNDL



**Description / Specifications**

**30A Rugged PDU** – Heavy duty and compact power distribution unit with carrying handle and NEMA 3R while-in-use rating with integrated hinged cover (no outlet flip-lids required). Includes an L14-30 input for power and L14-30 outlet for mains feed-thru to daisy-chain to other units. The unit includes six (6) NEMA 5-20R Duplex, GFCI-protected receptacles and one (1) L6-30R receptacle.

**Country of Origin: China**

### Technical Specifications

Electrical Rating	30A 125/250V
Enclosure	Steel Welded Powder Coated with Handle and Hinged Covers
Color	Yellow and Blue
Environmental Rating / NEMA Rating	Indoor / Outdoor 3R
Main Power Inlet	L14-30
Main Power Outlet (Mains Feed-Thru)	L14-30
Weight	36.8 lbs.
Dimensions (L x W x H)	15.83" x 9.50 x 15.59"
Receptacle Type	6 x NEMA 5-20R Duplex (125V, 20A) with GFCI Protection 1 x L6-30R (250V, 30A)
Circuit Breaker	6 x 20A Non-GFCI Circuit Breakers
Outlet Protection	Hinged Enclosure Covers for In-Use Protection

### Dimensions:

