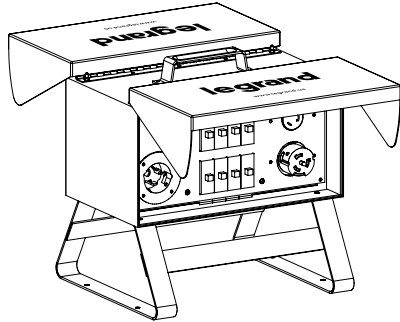


Rugged PDU Ordering Information

Catalog No./Item

XDU50AHNDL



Description / Specifications

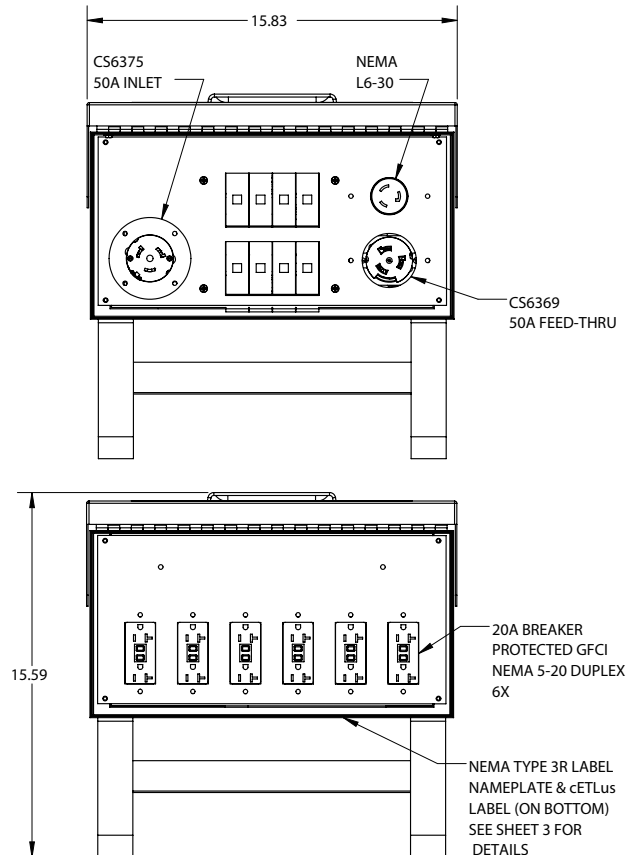
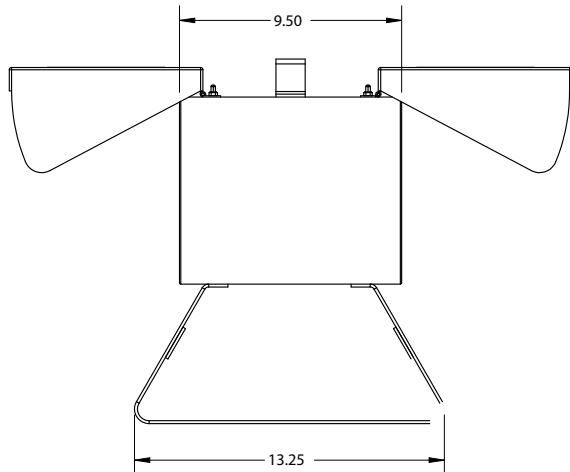
50A Rugged PDU – Heavy duty and compact power distribution unit with carrying handle and NEMA 3R while-in-use rating with integrated hinged cover (no outlet flip-lids required). Includes a CS6375 input for power and CS6369 outlet for mains feed-thru to daisy-chain to other units. The unit includes six (6) NEMA 5-20R Duplex, GFCI-protected receptacles and one (1) L6-30R receptacle.

Country of Origin: China

Technical Specifications

Electrical Rating	50A 125/250V
Enclosure	Steel Welded Powder Coated with Handle and Hinged Covers
Color	Yellow and Blue
Environmental Rating / NEMA Rating	Indoor / Outdoor 3R
Main Power Inlet	4W CS6375
Main Power Outlet (Mains Feed-Thru)	4W CS6369
Weight	36.8 LBS.
Dimensions (L x W x H)	15.83" x 9.50 x 15.59"
Receptacle Type	6 x NEMA 5-20R Duplex (125V, 20A) with GFCI Protection 1 x L6-30R (250V, 30A)
Circuit Breaker	6 x 20A Non-GFCI Circuit Breakers
Outlet Protection	Hinged Enclosure Covers for In-Use Protection

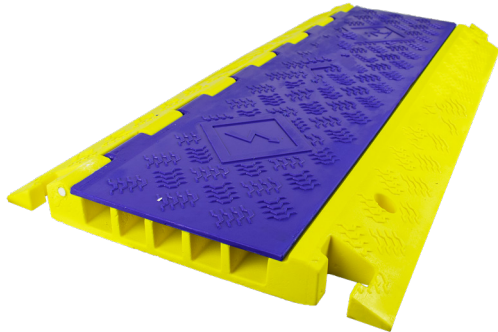
Dimensions:



Cable Protector Ordering Information

Catalog No./Item

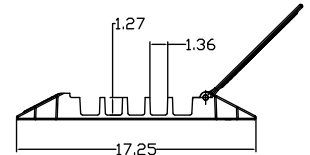
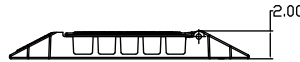
XCP5SLOT36



Description / Specifications

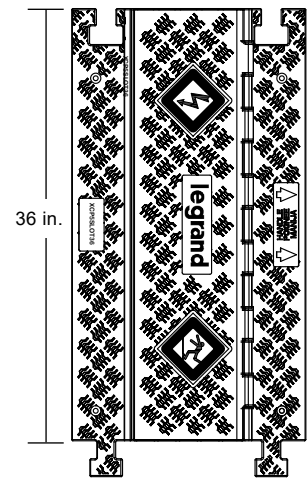
Standard 5-Channel Cable Protector, 3' Section – Designed for loads up to 27,000 lbs. (per axle) with 5 separated cable channels. Rugged polyurethane construction provides weather resistance and stands up to harsh elements and heavy traffic. Hinged top cover allows easy access to cables while maintaining high load rating.

Country of Origin: USA



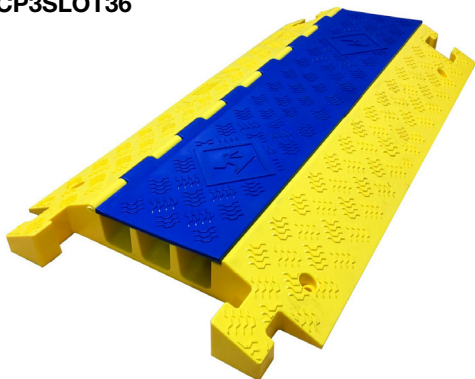
Technical Specifications

Dimensions (L x W x H)	36" x 17.25" x 2.00"
Cable Channel Dimensions (W x H):	1.36" x 1.27"
Weight	20.6 lbs.
Load Rating	13,500 lbs. per tire and 27,000 lbs. per axle



Catalog No./Item

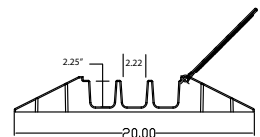
XCP3SLOT36



Description / Specifications

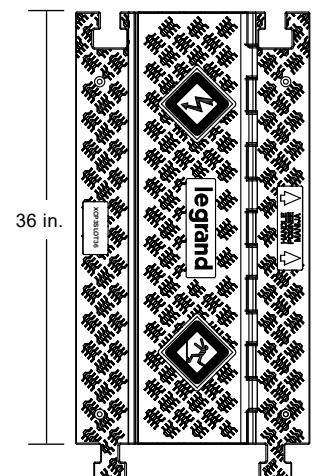
Heavy Duty 3-Channel Cable Protector, 3' Section – Designed for loads up to 50,000 lbs. (per axle) with 3 separated cable channels. Rugged polyurethane construction provides weather resistance and stands up to harsh elements and heavy traffic. Hinged top cover allows easy access to cables while maintaining high load rating.

Country of Origin: USA




Technical Specifications

Dimensions (L x W x H)	36" x 20.0" x 3.08"
Cable Channel Dimensions (W x H)	2.22" x 2.25"
Weight	28 lbs.
Load Rating	25,000 lbs. per tire and 50,000 lbs. per axle



Vertical Markets

- | | | | |
|---------------|--------------------|--------------------|-----------------|
| • Commercial | • Stadiums | • Events | • Entertainment |
| • Industrial | • Higher Education | • Construction | • Events |
| • Food Trucks | • Entertainment | • Higher Education | • Construction |

 **NOTE:** The paper used to print this document is an environmentally responsible paper with 10% post consumer waste, with FSC and SFI Chain of Custody certifications, Lacey Act compliant. 100% of the electricity used to manufacture Flo sheets is generated with Green-e certified renewable energy.



Legrand, North America
60 Woodlawn Street
West Hartford, CT 06110
1.877.BY.LEGRAND (295.3472)
www.legrand.us

Canada
905.738.9195
www.legrand.ca

FOLLOW US

