

P-6020

6-1/4" Round Pre-mounting Plate
Recessed Lighting

Job Information		
Project Name		Type
Location		
Quantity		Date
Contact/Phone		
Notes		

Features

General

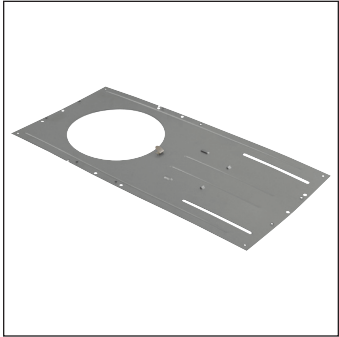
Constructed of galvanized steel, this 6-1/4" round opening pre-mounting plate is used to mount 6" SlimLED round fixtures.

Mounting

The plate includes mounting holes and tracks to satisfy any type of installation. Alignment notches on plate to help aligning multiple plates.

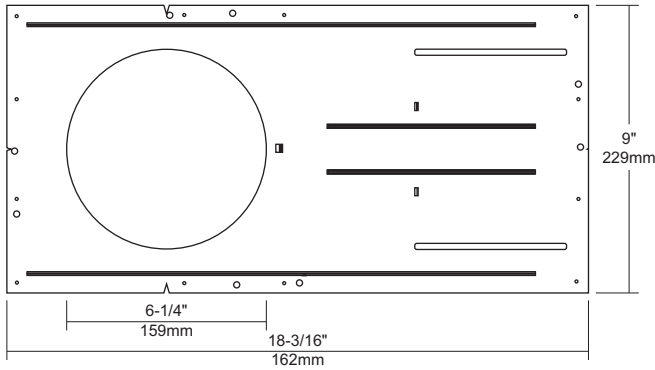
Compatible Fixtures

- SLM6 series
- SLM6F series
- SLMPRO6 series



Description

The P-6020 is a pre-mounting plate for use with 6" SlimLED round fixtures.



Notes: Due to our continued efforts to improve our products, product specifications are subject to change without notice.

Ordering Guide



P-6020

6-1/4" Round pre-mounting plate for SlimLED round fixtures.

Accessories



P-NCMK-1

New construction mounting kit. Includes hanger bars, brackets and screws.

Compatible Fixtures



SLM6 / SLM6F / SLMPRO6 Series