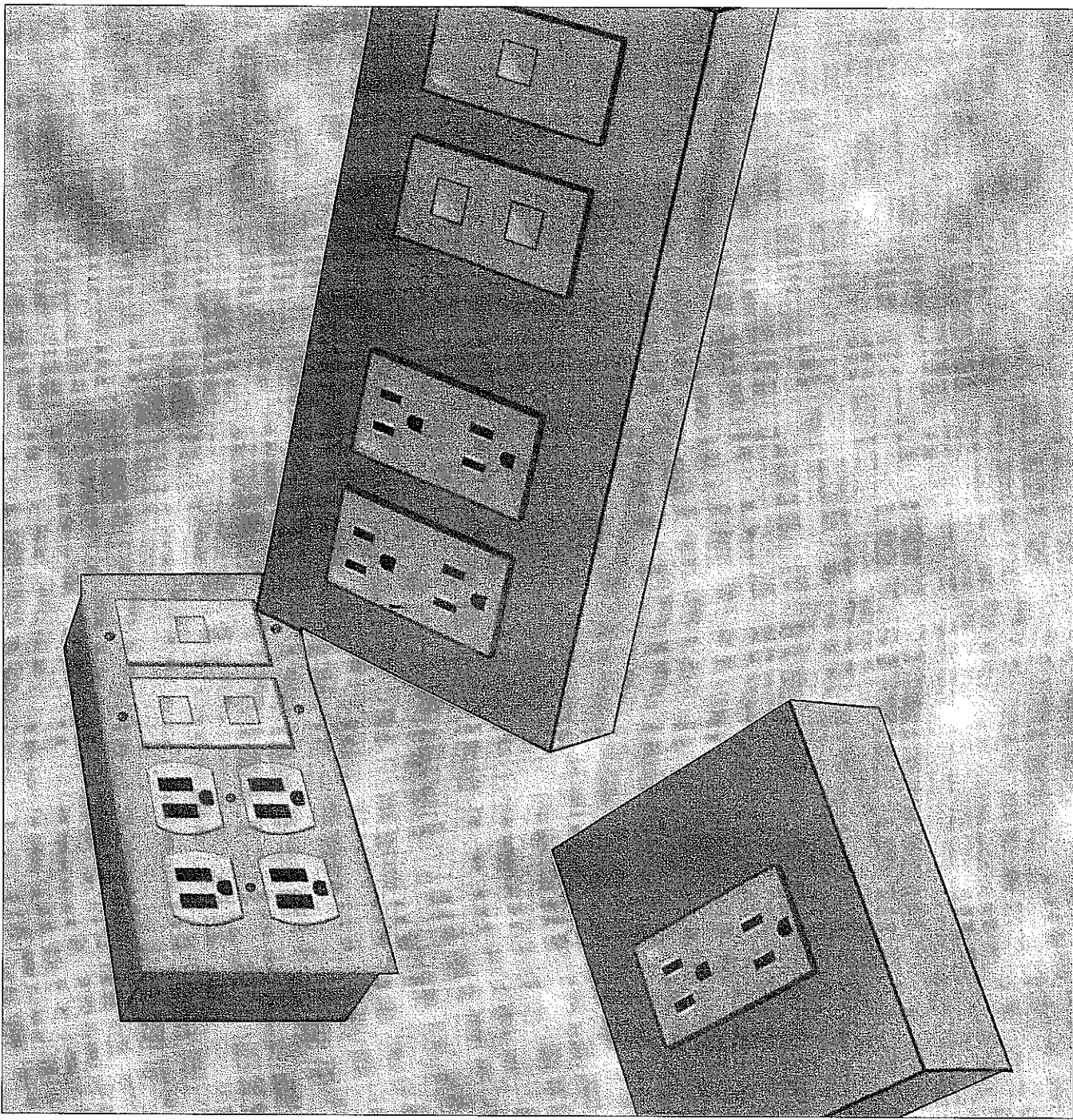


CER

CUSTOMER SERVICE · EXPERTISE · RELIABILITY

WALL PACKS
LOW PROFILE SERVICE FITTINGS



CER

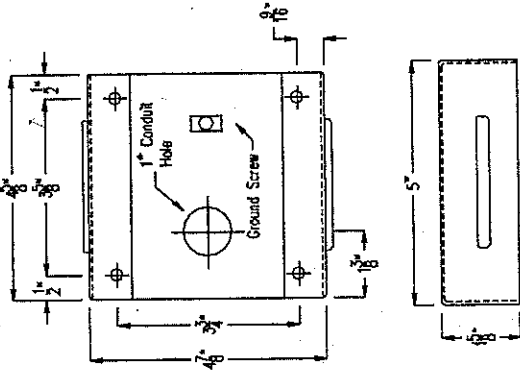
CANADIAN ELECTRICAL RACEWAYS INC.

900 Winston Churchill Blvd., Oakville, ON L6J 7X5 Tel:905.337.7522 Fax:905.337.7426 cer@ceronline.ca
www.ceronline.ca

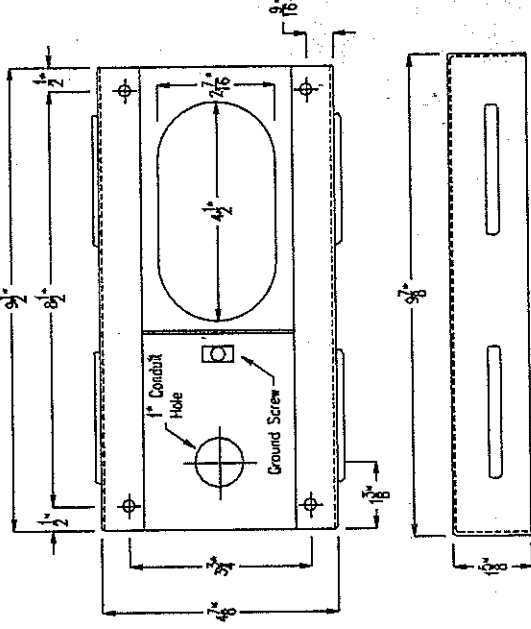
LOW PROFILE SERVICE FITTINGS

C.E.R. Series low profile fittings are available in 2, 4, & 5 gang series, all CSA approved for use in all manner of electrification systems and available with all necessary nipples, adapters, and device plates.

2000 SERIES



4000 SERIES



CONSTRUCTION

- All steel construction provides maximum strength.
- All full size (4000 & 5000 series) fittings are provided with a barrier separating power from the voice/data compartment, unless otherwise specified.

FINISHES

- Textured Epoxy/Polyester Powder.
- 3 Standard finishes · Black · Ivory · Gray.

• All fittings can be refinished on site.

FILLER PLATES

- Voice/Data Plates are ordered separately and are available to suit a large range of connectors.

SPECIALS

- Available in configuration of up to 6 gang.
- Large capacity, extra deep fittings available.
- Brushed aluminum or SS fittings also available.
- A wide range of special colours available.

1st Digit - Fitting Type.
2 = 1/2 Module Ftg.
4 = Full Module Ftg.

3rd Digit = # IG
Decora Duplex Rec.

4220

2nd Digit = # of U grnd
Decora Duplex Rec. 4th Digit = # of
Voice/Data Cut Outs.

LOW PROFILE ORDERING SPECIFICATIONS



Denotes U: grnd Rec.



Denotes IG Rec.

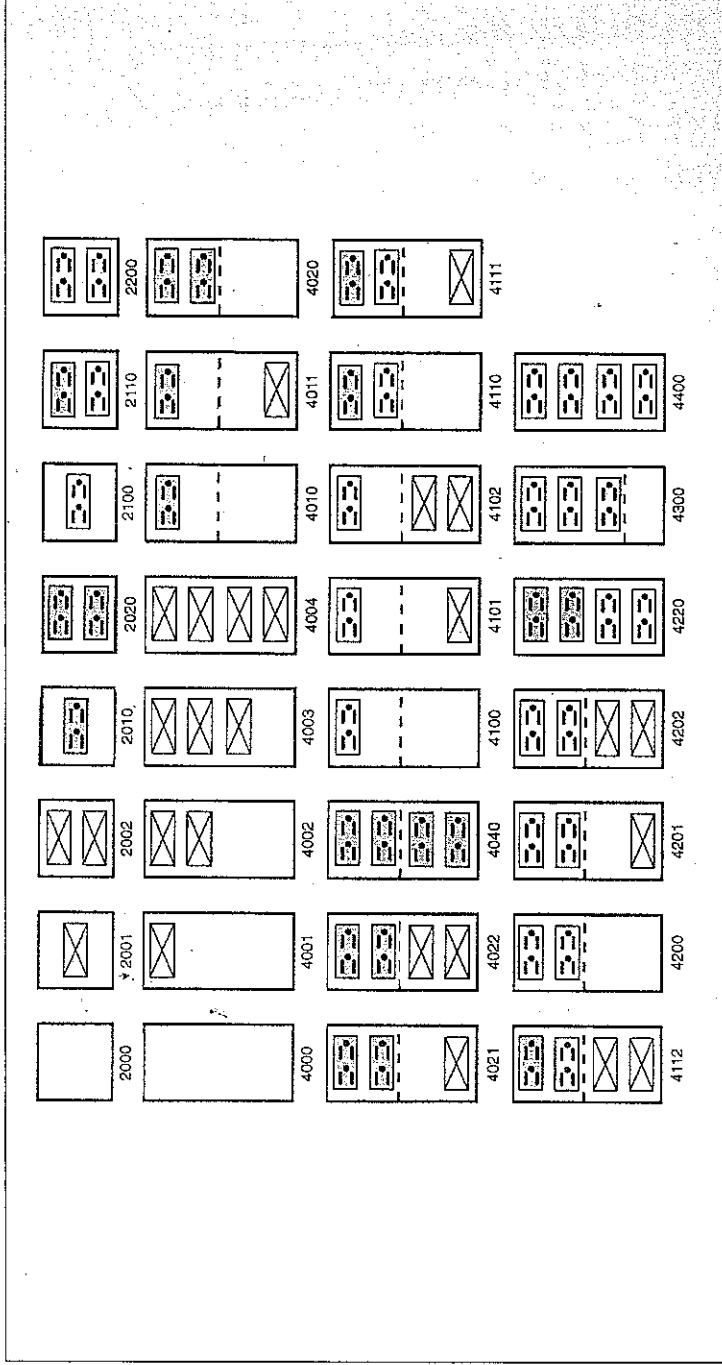


Denotes Decora cut out.

Suffix B denotes colour Black
Suffix I denotes colour Ivory
Suffix G denotes colour Gray
Receptacles supplied in colours to match.
IG Receptacles supplied in Orange only.

Catalog numbers: 4000, 4001, 4002, 4003, 4004, 4220, & 4400
are supplied without a barrier.

LOW PROFILE FITTING CONFIGURATION



FILLER PLATE ORDERING SPECIFICATIONS

3000-Blank Plate

3002D-BNC/TNC cut out

3001B-1RJ45/RJ12 cut out

3002F-1 IBM type 1 or 2 & 1 RJ11 cut out

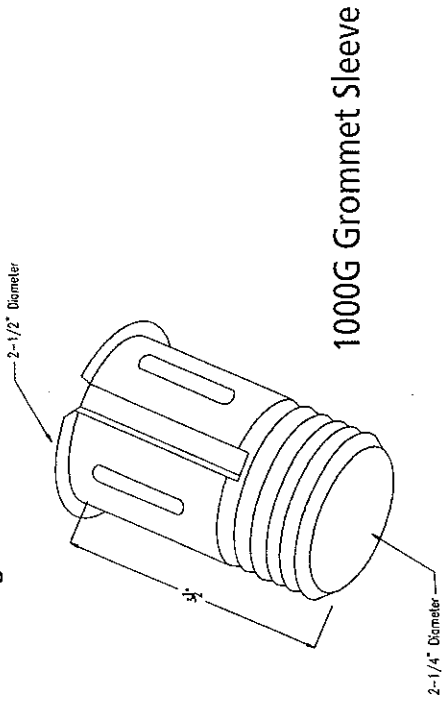
3001D-1 BNC/TNC cut out

3002H-1 BNC/TNC & 1 RJ11 cut out

3002B-2 RJ45/RJ12 cut out

ACCESSORIES

1000G-Grommet Sleeve 2-1/4" Dia x # 3-1/2" lg.



CANADIAN ELECTRICAL RACEWAYS INC.

900 Winston Churchill Blvd., Oakville, ON L6J 7X5 Tel:905.337.7522 Fax:905.337.7426 cer@ceronline.ca
www.ceronline.ca