

# Jazz



## INSTALLATION AND CONNECTION

**Installation height** 39 3/8 in (100 cm).

**Clearances**

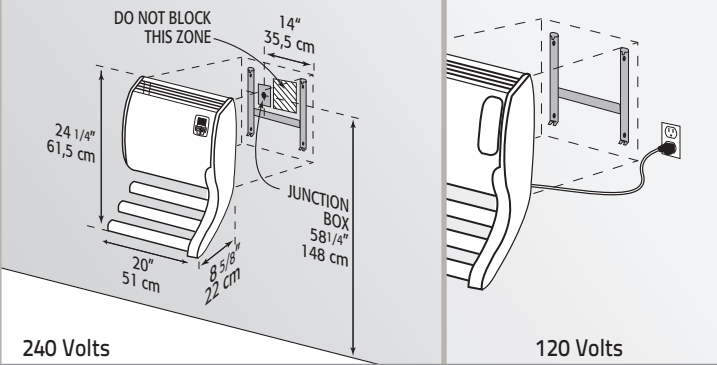
■ Front: 20 in (50 cm) ◀ Sides: 6 in (15 cm) ▲ Above: 12 in (30 cm).

**Installation** Quick-mounted surface installation with easy snap-on bracket.

**Connection** 240-V unit: Flexible cord connection, including junction box. Installation requires 2 in X 3 in wall box (not included).


120-V unit: Plug-in connection with 6 ft flexible cord.


**Note** 3-conductor cable or 2-conductor cable with a third wire should be used if unit is to be linked with the Convectair Programmer module (7392 FP).



## HEATING ELEMENT

**Total capacity** 1500 (120V) or 2000W (240V)


 **Convection (750 (120V) or 1 000 W (240V))** X-shaped, monoblock element made of surface-treated extruded aluminum.

 **Fan-forced heat on demand and towel drying (750 (120V) or 1 000 W (240V))** Low-thermal-mass heating element combined with low-pressure tangential blower.

**Thermal protection - Convection** Automatic reset overheat protection.

- **Fan-forced heat** Resetable overheat protection. Reset by turning heater off.

## TEMPERATURE CONTROL

 **Electronic thermostat** Built-in electronic proportional-action thermostat ultraprecise to 1/5 °F (1/10 °C) for convection heating.

**Electronic timer** with indicator light, for 5 to 90 minutes of accelerated heating.

**Programmer** Programmer-compatible, pilot wire only (240-V unit).

## CONTROL PANEL

 **Location** Front panel.

**LCD screen** Back-lit with controls lockable by key combination.

**On/Off button** with indicator light.

**Timer button** with indicator light.

**24-hr button** with indicator light stores the Chrono setting, for daily bathroom preheating.

**<< + and - >> buttons** control the temperature setting.

**Locked** indicator light.

**Heating** indicator light.



## CABINET

 **Steel** construction with polyester/epoxy anti-rust powder coating and resistant to UV rays.

**Cabinet** Splash-proof construction with rounded edges and built-in side wire covers.

**Louvres** Top forward-louvered air outlet that directs heat towards the entire room.

**Colour BB** = White

MODEL	Catalogue No.	Colour	Power		Height		Width		Depth		Net Weight	
			240 V	208 V	cm	in	cm	in	cm	in	kg	lb
JAZZ ②	7618-C20	BB	*1000 - 2000 W		61,5	24 1/4	51	20	22	8 5/8	8,5	18,7
*Convection (1000 W); Fan-forced heat (1000 W)												
120 VOLTS   PLUG-IN												
JAZZ ④	7618-B15	BB	*750 - 1500 W		61,5	24 1/4	51	20	22	8 5/8	8,5	18,7
*Convection (750 W); Fan-forced heat (750 W)												

② Compatible with the Programmer system (see technical specifications for catalogue number 7392).

④ Not compatible with the Programmer system. For use with 120 V outlets.

For guaranteed, dependable operation, we recommend that all units be installed by a licensed electrical contractor. Consult **convectair.com** to find the most recent installation instructions for our heaters.

