

IFS-L UNDER CANOPY AND GARAGE LIGHT

The IFS-L is an efficient under canopy and garage light. Its rugged construction easily installs on junction boxes and is available in 2 lumen packages. High quality thermal heat sinks dissipate the LED heat and insure reliable long life. This luminaire is a great addition to any commercial or industrial application.

FEATURES AND SPECIFICATIONS

• Construction

Housing

Made in an aluminum die cast housing with high quality thermal heat sinks to dissipate LED heat and insure reliable long life. S1 package come with four ½" side conduit entries and the S2 package comes with three entries.

Mounting options

Easily installs to junction boxes, can be mounted directly to the ceiling and also via pendant mount. Comes with three entries.

Lens

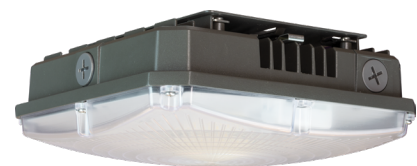
Outfitted with a polycarbonate impact resistant frosted lens for even light distribution and uniformity.

• Electrical

- Internal electrical components are fastened to the die cast housing for efficient heat dissipation. LED driver is rated for 120-277V and 120-347 V, 50/60 Hz and are 0-10 V dimmable for all
- Available in 4 000 K and 5 000 K color temperature with a lumen per watt ratio ranging from 131 to 143 lm/W depending on the lumen package being used
- Ambient operating temperature range from -40°C to +40°C
With OSI: -35°C to +40°C
- 2 KV surge protection included
- Replaces up to a 175 W metal halide equivalent

• Compliances

- IP65
- cULus listed for wet location



OVERVIEW

Light source	LED
Watts (W)	40, 60
Lumen output (lm)	5 129 - 8 147
Efficiency (lm/W)	131 - 143
Color temperature (K)	4 000, 5 000
Weight (lbs)	24 - 27



quick
ship



LED
fixture



wet
location



dimmable
fixture



Not all products are qualified on the DLC QPL. To view our DLC qualified products, please consult the DLC Qualified Products List at www.designlights.org/search.

QUICK SHIP AND TECHNICAL SPECIFICATION TABLE  1

Order code	Model number	DLC unique ID	Watts (W)	Volts (VCA)	Color temp. (K) ²	Lumen output (lm) ³	Efficiency (lm/W)	CRI	Life L70 (hrs) ⁴	LED current (mA)	Power factor	THD (%)	Traditional equivalent (W)	Case qty (master)
68013	IFS-LS1-W/40K-BZ	PLWNQXWX9HGK	40	120-277	4 000	5129	131	80	>54000	0.33-0.14	0.90	15	100	6
68014	IFS-LS1-W/50K-BZ	PLZZZHM40EY	40	120-277	5 000	5295	135	80	>54000	0.33-0.14	0.90	15	100	6
68015	IFS-LS1-Q/40K-BZ	PLWNQXWX9HGK	40	120-347	4 000	5878	141	80 +	>54000	0.34-0.12	0.95	16	100	6
68016	IFS-LS1-Q/50K-BZ	PLW4I5NT1NN3	40	120-347	5 000	5965	142	80 +	>54000	0.34-0.12	0.95	16	100	6
68017	IFS-LS2-Q/40K-BZ	PL96I8KOLPWI	60	120-347	4 000	8034	135	80 +	>54000	0.51-0.18	0.96	15	175	4
68018	IFS-LS2-Q/50K-BZ	PLTQPPIFNTRF	60	120-347	5 000	8147	137	80 +	>54000	0.51-0.18	0.96	15	175	4

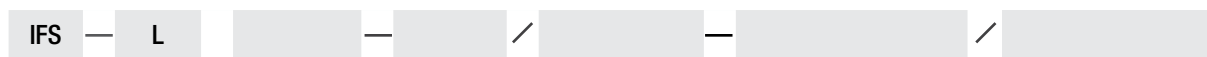
¹ QUICK SHIP: Product availability is subject to change without notice. Please contact your Stanpro customer service representative to confirm inventory levels at time of order.

² Typical color temperature range: +/- 5 %.

³ Lumen values are derived from photometric testing. Initial lumens range: +/- 10 %.

⁴ Life hours are derived from IESNA LM-80-08 testing report and projected per IESNA TM-21-11 extrapolations.

ORDERING GUIDE



Series	Lamp type	Lumen packages (W)	Volts (V)	Color temp. (K)	Casting color	Options
IFS	L - LED	S1 - 40 S2 - 60	W - 120-277 Q - 120-347 Q - 120-347	40K - 4 000 50K - 5 000 ¹	BZ - Bronze (standard) BK - Black WH - White SP - Special color	P127 - 120-277 V button type photocell OS - Microwave sensor

¹ The 5 000 K apply only on the 60 W fixture

ACCESSORIES (order separately)

Part number	Description
PH0008	347 V button type photocell

ON-OFF SENSORS

Part number	Position	Volts (V)	Technology	Height	Detection Area	Hold time	Daylight min level	Remote ²	Location
OSI-FO-0601	Internal	120-347	High Frequency	25ft max	100%	30 min	Disable	OSI-RC-MH02	Dry and wet, -35°C to 70°C
OSI-FO-0602	Internal	120-347	High Frequency	25ft max	100%	15 min	Disable	OSI-RC-MH02	Dry and wet, -35°C to 70°C

BI-LEVEL SENSORS

Part number	Position	Volts (V)	Technology	Height	Detection Area	Hold time	Stand-by Dim level	Daylight min level	Remote ²	Location
OSI-FB-0601	Internal	120-347	High Frequency	25ft max	100%	30 min	30%	Disable	OSI-RC-MH02	Dry and wet, -35°C to 70°C
OSI-FB-0602	Internal	120-347	High Frequency	25ft max	100%	30 min	10%	Disable	OSI-RC-MH02	Dry and wet, -35°C to 70°C
OSI-FB-0603	Internal	120-347	High Frequency	25ft max	100%	15 min	40%	Disable	OSI-RC-MH02	Dry and wet, -35°C to 70°C
OSI-FB-0604	Internal	120-347	High Frequency	25ft max	100%	30 min	40%	Disable	OSI-RC-MH02	Dry and wet, -35°C to 70°C
OSI-FB-0605	Internal	120-347	High Frequency	25ft max	100%	15 min	30%	Disable	OSI-RC-MH02	Dry and wet, -35°C to 70°C
OSI-FB-0606	Internal	120-347	High Frequency	25ft max	100%	15 min	10%	Disable	OSI-RC-MH02	Dry and wet, -35°C to 70°C
OSI-FB-0607	Internal	120-347	High Frequency	25ft max	100%	10 min	20%	Disable	OSI-RC-MH02	Dry and wet, -35°C to 70°C

TRI-LEVEL SENSORS

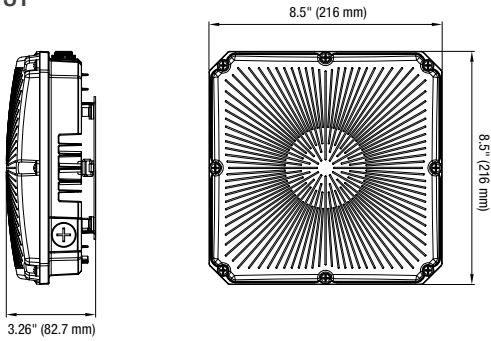
Part number	Position	Volts (V)	Technology	Height	Detection Area	Hold time	Stand-by Dim level	Stand-by period	Daylight min level	Remote ²	Location
OSI-FT-0601	Internal	120-347	High Frequency	25ft max	100%	30 min	30%	10 min	Disable	OSI-RC-MH02	Dry and wet, -35°C to 70°C

² To be ordered separately

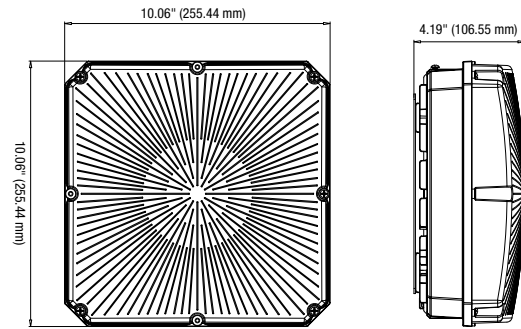
Data is based upon tests performed in a controlled environment. Actual performance can vary depending on operating conditions. All products are subject to change or may be discontinued any time without notice.

DIMENSIONS

S1



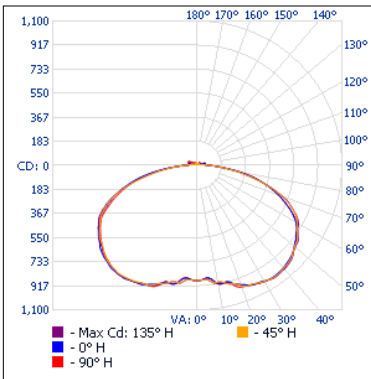
S2



PHOTOMETRIC DATA¹

68015 • 4 811.6 lm

Polar candela distribution



Zonal lumen summary

Zone	Lumens %	Lamp %
0-30	811.3	16.9%
0-40	1 453.7	30.2%
0-60	3 044.7	63.3%
60-90	1 560.4	32.4%
70-100	861.6	17.9%
90-120	157.3	3.3%
0-90	4 605.1	95.7%
90-180	206.3	4.3%
0-180	4 811.4	100%

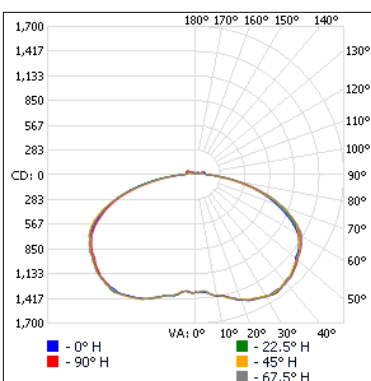
Illuminance at a distance

Center beam fc	Beam width	
	117.2'	114.9'
17'	3.03 fc	234.4'
34'	0.76 fc	351.7'
51'	0.34 fc	468.9'
68'	0.19 fc	586.1'
85'	0.12 fc	703.3'
102'	0.08 fc	

Vert. spread: 147.7°
 Horiz. spread: 147.0°

68017 • 7 624.7 lm

Polar candela distribution



Zonal lumen summary

Zone	Lumens %	Lamp %
0-30	1 266.9	16.6%
0-40	281.9	29.9%
0-60	4 806.0	63%
60-90	2 472.7	32.4%
70-100	1 365.2	17.9%
90-120	269.9	3.5%
0-90	7 278.7	95.5%
90-180	345.8	4.5%
0-180	7 624.4	100%

Illuminance at a distance

Center beam fc	Beam width	
	50.1'	62.6'
8.3'	19.4 fc	100.8'
16.7'	4.80 fc	150.9'
25.0'	2.14 fc	201.0'
33.3'	1.21 fc	251.8'
41.7'	0.77 fc	301.9'
50.0'	0.54 fc	

Vert. spread: 143.3°
 Horiz. spread: 150.3°

¹ Complete IES files available on our website.

Data is based upon tests performed in a controlled environment. Actual performance can vary depending on operating conditions. All products are subject to change or may be discontinued any time without notice.