

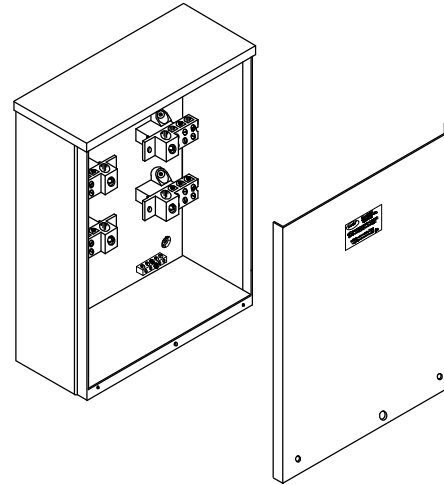
SERVICE SPLITTER BOX
EEMAC 3R, 4W SERIES
MODEL #DPS-4W



- EEMAC 3R enclosure
- For indoor or outdoor use
- Galvanized construction - unpainted finish
- Slide-in, screw-on cover
- Cover is padlockable at bottom
- Punch raised rear mounting dimples
- Drainage provided in bottom of box
- 600V rated lugs provided - Al/Cu rated
- Model #DGB-1 ground bar included

Options

- Aluminum construction
- EEMAC 4 or 4X
- Voltages to 25kV 2000A high voltage



Model #DPS-225-4W Shown

Model #	Dimensions H x W x D (")	Rating	Lug Ratings AWG		Weight (lbs)
			Mains	Secondary	
DPS-125-4W	14 x 11 x 4.5	125A, 600V, 4 Pole	(1) 1/0-14	(6) 2-14	13
DPS-225-4W	20 x 13 x 6	225A, 600V, 4 Pole	(1) 300-6	(6) 2/0-14	22
DPS-400-4W	20 x 20 x 6	400A, 600V, 4 Pole	(1) 600-4 or (2) 250-1/0	(6) 3/0-14	30
DPS-600-4W	24 x 24 x 6	600A, 600V, 4 Pole	(2) 600-4 or (4) 250-1/0	(6) 3/0-14	43

* DPS-225-4W is available in small body sized 14"H x 11"W x 4.5"D