

L2TLV TRI-LEVEL LED STRIP WITH LENS

The L2TLV Tri-Level programmable LED strip lights have been designed to prevent energy loss and to increase energy savings by allowing the end-user to sensibly manage the degree of luminosity in applications or spaces that require continuous lighting, such as hallways and common areas. These luminaires feature an integrated tri-level microwave motion sensor that regulates light levels according to the occupancy of a space.

FEATURES AND SPECIFICATIONS

• Construction

Housing and finishing

- Sleek and compact design ideal for installation in tight spaces
- 24 gauge white powder painted steel
- Contoured frosted PMMA diffuser
- Enclosed lens prevents penetration of dust, insects and other debris into the LED compartment

Mounting

- Surface, suspended or row mounted (see accessories)

• Technical specifications

- Integrated tri-level microwave (high frequency) motion sensor
- Easy to clean and service
- Long life LEDs that provide 80+ CRI and are available in 4 000K color temperature
- V-Hooks, canopy plate for octagonal junction box and mounting brackets are included
- Estimated lifespan of over 155 000 hours to L70
- Ambient temperature: -20° C to +55° C
- Suitable for damp locations

• Compliances

- Meets requirements of ICES-005
- Meets FCC requirements
- cULus



OVERVIEW

Light source	LED
Watts (W)	35, 40
Lumen output (lm)	4 585, 5 360
Efficiency (lm/W)	131, 134
Color temperature (K)	4 000
CRI	80+
Weight (lbs)	6.30



Not all products are qualified on the DLC QPL. To view our DLC qualified products, please consult the DLC Qualified Products List at www.designlights.org/search.

QUICK SHIP ORDERING GUIDE 

Order code	Model number	DLC unique ID	Watts (W)	Volts (VAC)	Color temp. (K) ²	Lumen output (lm) ³	Efficiency (lm/W)	CRI	Life L70 (hrs) ⁴	Tested hours LM80 (hrs) ⁴	Power factor	THD (%)	Case qty (master)
48"													
68023	L2TLV-48LS1-Q/40K	PLCEAI2KC11S	35	120-347	4 000	4 585	131	80+	155 000	9 000	0.90	10	6
68024	L2TLV-48LS2-Q/40K	PLQL5Y3L9165	40	120-347	4 000	5 360	134	80+	155 000	9 000	0.90	10	6

¹ **QUICK SHIP:** Product availability is subject to change without notice. Please contact your Stanpro customer service representative to confirm inventory levels at time of order.

² Typical color temperature range: +/- 5 %.

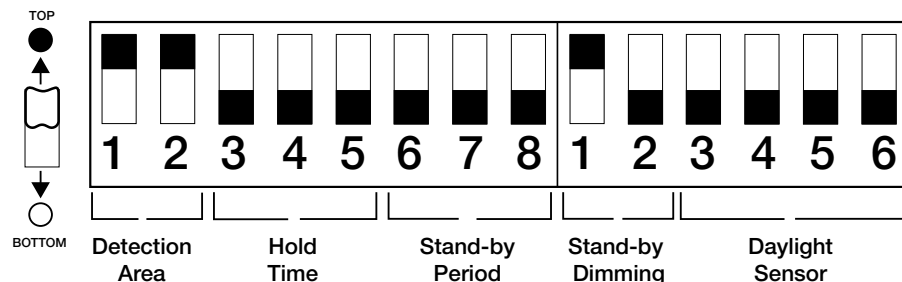
³ Lumen values are derived from photometric testing. Initial lumens range: +/- 10 %.

⁴ Life hours are derived from IESNA LM-80-08 testing report and projected per IESNA TM-21-11 extrapolations.

ACCESSORIES (order separately)

Part number	Type
BKT347	Suspension kit - 2 chains (1 metre)
BKT813	Continuous row mounting aligner for suspended installation
LEN376-4	Replacement lens 48"
WGD076-4-H	Wireguard kit 48"
OSI-RC-MH02	Remote control for motion sensor

PROGRAMMING SETTINGS



DEFAULT PROGRAMMING

Detection Area: 100%
Hold Time: 30 min
Stand-by period: +∞
Stand-by dimming: 20%
Day Light Sensor: Disable

DETECTION PATTERN

Detection Distance	12m x 8m (Max.)
Detection Angle – Wall Mounting	150°
Detection Angle – Ceiling Mounting	360°

Data is based upon tests performed in a controlled environment. Actual performance can vary depending on operating conditions. All products are subject to change or may be discontinued any time without notice.

SENSOR ON-OFF DIMMING SETTING OPTIONS

DETECTION AREA

The detection area can be reduced by selecting the combination on the DIP switches to fit precisely each application.
Options: 100% - 75% - 50% - 25%

	1	2
100%	●	●
75%	●	○
50%	○	●
25%	○	○

HOLD-TIME

The time period the fixture remains at 100% illumination after no motion is detected.
Options: 8s - 30s - 1 min - 5 min - 10 min - 15 min - 30 min

	3	4	5
8 s	●	●	●
30 s	●	○	●
1 min	○	●	●
5 min	●	○	○
10 min	○	●	○
15 min	○	○	●
30 min	○	○	○

STAND-BY PERIOD

The time period the fixture remains at a low light output level before it completely switches off in the long absence of motion. When set to Disable mode, the low light is maintained until motion is detected (Bi-Level).
Options: 0s - 1 min - 3 min - 5 min - 10 min - 30 min - +∞ (DISABLE)

	6	7	8
0 s	●	●	●
1 min	●	○	●
3 min	○	●	●
5 min	●	○	○
10 min	○	●	○
30 min	○	○	●
+ ∞	○	○	○

Note: "0s" means on/off control;

"+∞" means bi-level dimming control, fixture never switches off when daylight sensor is disabled.

STAND-BY DIMMING LEVEL

The level of dimmed low light output after the hold time in the long absence of motion.
Options: 10% - 20% - 30% - 40%

	1	2
10%	●	●
20%	●	○
30%	○	●
40%	○	○

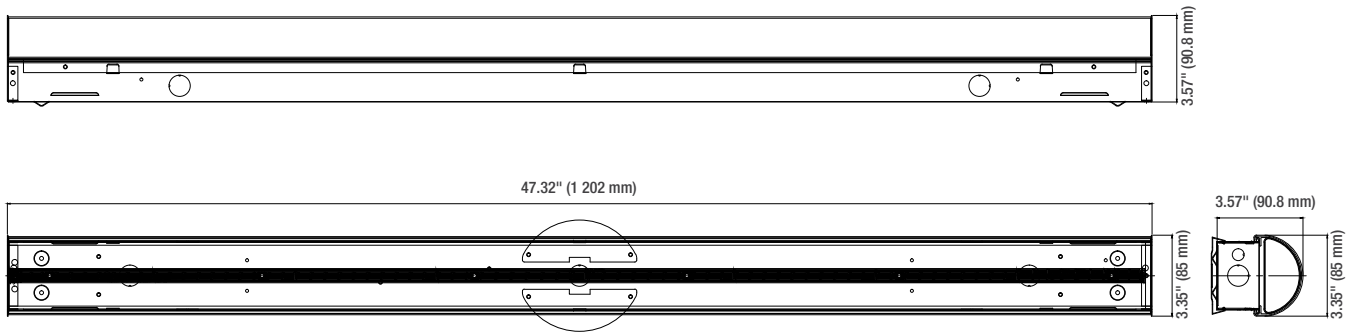
DAYLIGHT SENSOR

The daylight threshold can be captured and configured on the DIP switches to fit a particular application.
Options: 5 lux - 15 lux - 30 lux - 50 lux - 100 lux - 150 lux - +∞ (DISABLE)

	3	4	5	6
5 lux	●	●	●	●
15 lux	○	●	●	●
30 lux	●	○	●	●
50 lux	○	○	●	●
100 lux	●	●	○	●
150 lux	●	●	●	○
+ ∞	○	○	○	○

Data is based upon tests performed in a controlled environment. Actual performance can vary depending on operating conditions.
All products are subject to change or may be discontinued any time without notice.

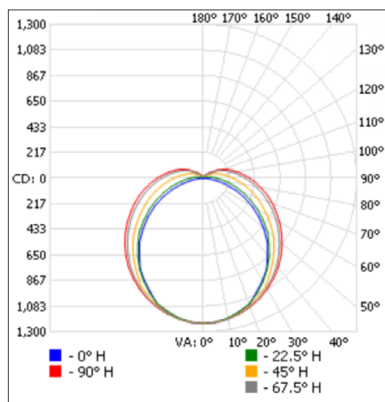
DIMENSIONS



PHOTOMETRIC DATA

68023 • L2TLV-48LS1-Q/40K • 4 665.8 lm

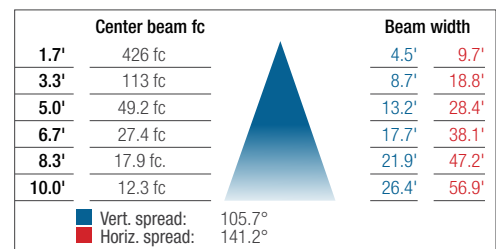
Polar candela distribution



Zonal lumen summary

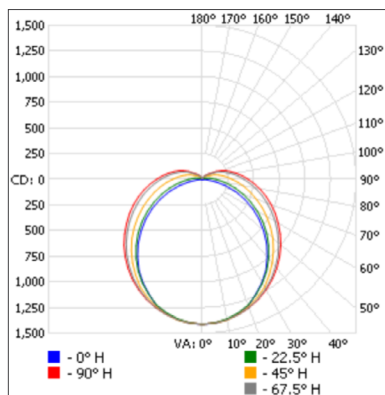
Zone	Lumens	% Fixture
0-30	954.9	20.5%
0-40	1 569.9	33.7%
0-60	2,846.5	61.1%
60-90	1 266.3	27.2%
70-100	939.6	20.2%
90-120	442.1	9.5%
0-90	4 112.8	88.3%
90-180	543.0	11.7%
0-180	4 655.8	100%

Illuminance at a distance



68024 • L2TLV-48LS2-Q/40K • 5 381.6 lm

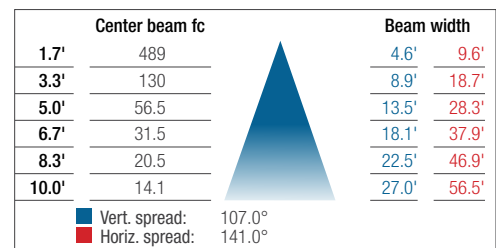
Polar candela distribution



Zonal lumen summary

Zone	Lumens	% Fixture
0-30	1 099.3	20.4%
0-40	1 809.2	33.6%
0-60	3 286.2	61.1%
60-90	1 470.9	27.3%
70-100	1 090.5	20.3%
90-120	509.3	9.5%
0-90	4 757.1	88.4%
90-180	624.5	11.6%
0-180	5 381.6	100%

Illuminance at a distance



Data is based upon tests performed in a controlled environment. Actual performance can vary depending on operating conditions. All products are subject to change or may be discontinued any time without notice.