

Xcelerator Category 5E Jack

Features

- Third Party Verified Category 5E Component Compliant
- Exclusive 1-Punch Termination Reduces Termination Time by 75%
- Mating Cycles Exceed Industry Standard by Four Times
- Bulk Packaging Reduces Excess Waste on the Job

Ordering Information

| Description | Color | UPC Number | Catalog No. |
|---|-------|--------------|-------------|
| NEXTSPEED Xcelerator Category 5E Jack, 1 Jack | Blue | 662620825182 | HXJ5EB |

Listings

ANSI/TIA/EIA-568-C.2 Category 5E component
 ISO 11801/60603-7-41 Category 5E component
 Mechanical: Verified to TIA-568-C.2
 UL Listed 1863
 Mechanical TIA-568-C.2
 CSA Certified
 RoHS Compliant

Specifications

| | |
|--------------|--|
| Nose Contact | Beryllium copper with precious metal plating with nickel under-plating |
| IDC Contact | Phosphor bronze with 100 micro-inch tin lead 60/40 plating over nickel under plating |
| Housing | High impact thermoplastic (UL 94 V-0) |
| Stuffer Cap | Lexan® (UL 94 V-0) |

Performance

Electrical

Center balanced to Category 5E plug specifications
 Exceeds component requirements by a minimum of 3dB
 Positive PSACR beyond 190 MHz (channel)
 Qualified to 150% of 802.3bt PoE Current Level

General Information

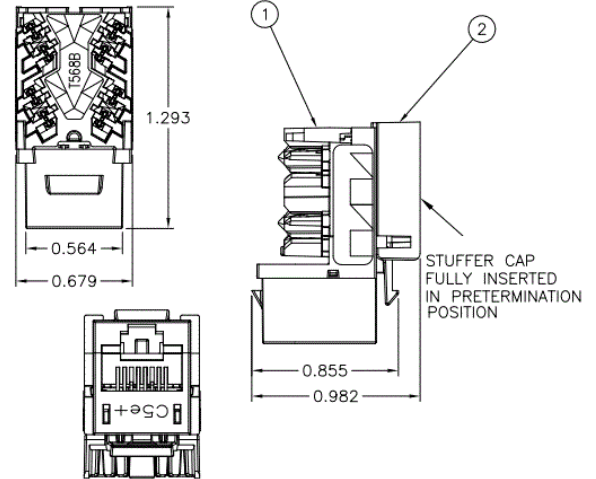
100% factory tested
 Backward compatible to lower installed Categories
 Icon Compatible Supporting 606-B requirements

Mechanical

Contact performance confirmed over the full range of ISO/FCC compliant plug
 IDC Contact Termination: 10x
 Keystone Latching Force: 25 lbs.

Applications

IEEE 802.3ab 1000GBASE-T
 IEEE 802.3bt 4PPoE Power over Ethernet



Complementary Products

| | |
|------------------------|---------|
| 1-Punch Tool | TX4P |
| Category 5E Patch Cord | HC5EB03 |
| Dust Cover | HXJDC25 |
| Termination Puck | HXTP25 |
| Category 5E Cable | C5ESPB |

Online Resources

eCatalog