

## Xcelerator

## Jacks

# Xcelerator USOC Jack

### Features

- RJ-25 USOC (RJ-25) Jack
- Exclusive 1-Punch Termination Reduces Termination Time by 75%
- Mating Cycles Exceed Industry Standard by Four Times
- Bulk Packaging Reduces Excess Waste on the Job

### Ordering Information

Description	Color	UPC Number	Catalog No.
Xcelerator USOC Jack	White	662620824673	HXJW

### Listings

6-Position USOC Compliant  
Mechanical TIA-568-C.2  
UL Listed 1863  
CSA Certified  
RoHS Compliant

### Specifications

Nose Contact	Beryllium copper with precious metal plating over nickel under plating
IDC Contact	Phosphor bronze with 100 micro-inch tin lead 60/40 plating over nickel under plating
Housing	High impact thermoplastic (UL 94 V-0)

### Performance

#### Electrical

6-Position USOC Compliant

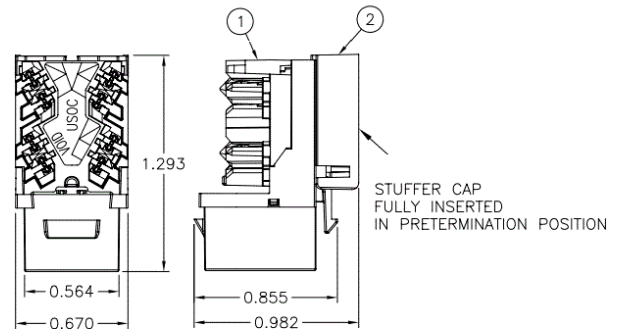
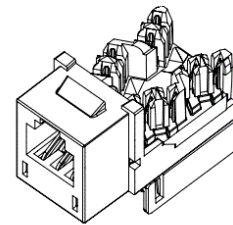
#### Mechanical

Contact performance confirmed over the full range of ISO/FCC compliant plug  
IDC Contact Termination: 10x  
Keystone Latching Force: 25 lbs.  
Nose Contact Mating Cycles: 2000

### Applications

Phone  
DSL

# HUBBELL



### Complementary Products

1-Punch Tool	TX4P
Dust Cover	HXJDC25
Termination Puck	HXTP25

### Online Resources

eCatalog

Dimensions in Inches (mm)

Hubbell Wiring Device-Kellems • Hubbell Incorporated (Delaware) • 40 Waterview Drive • Shelton, CT 06484

Phone (800) 288-6000 • Fax (800) 255-1031 • Specifications subject to change without notice.

