

6-Way Coaxial Splitter Module

Features

- One Incoming Line, Six Outgoing
- 2.3 GHz Bandwidth
- All Terminations Accessible from Top

Ordering Information

Description	Color	UPC Number	CatalogNumber
6-Way Coaxial Splitter Module, 2.3GHz, Enhanced Capability	Black	883778504396	NSOVM62G

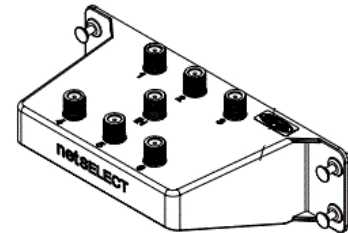
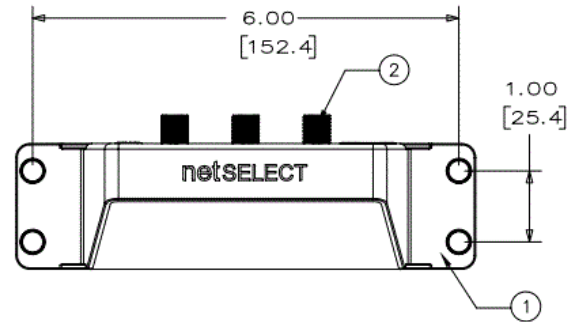


Listings

UL and cUL Listed
RoHS Compliant

Specifications

Base Material	High Impact Thermoplastic UL 94 V-0
Units	1



Complementary Products

Video Amplifier	NSOVAMP
-----------------	---------

Online Resources

Customer Use Drawing
eCatalog