

4 MP Fixed Eyeball Network Camera

True Wide Dynamic Range IR Network Camera



System Overview

The Dahua 4 MP Lite Series cameras offer high-resolution video and cutting-edge technology in a compact and accessible package. The cameras feature Smart H.265+ video compression, reducing bandwidth and storage requirements without sacrificing video quality. The camera's elegant blend of aesthetics combined with a range of easy mounting solutions provides an excellent choice for a variety of small to mid-size applications at an affordable price.

Functions

Starlight Technology

For challenging low-light applications, Dahua's Basic Starlight Technology offers best-in-class light sensitivity, capturing details in low light down to 0.008 lux. The camera uses a set of optical features to balance light throughout the scene, resulting in clear images in dark environments.

Smart H.265+

Smart H.265+ is the optimized implementation of the H.265 codec that uses a scene-adaptive encoding strategy, dynamic GOP, dynamic ROI, flexible multi-frame reference structure and intelligent noise reduction to deliver high-quality video without straining the network. Smart H.265+ technology reduces bit rate and storage requirements by up to 70% when compared to standard H.265 video compression.

Wide Dynamic Range (WDR)

The camera achieves vivid images, even in the most intense contrast lighting conditions, using industry-leading wide dynamic range (WDR) technology. For applications with both bright and low lighting conditions that change quickly, True WDR (120 dB) optimizes both the bright and dark areas of a scene at the same time to provide usable video.

- 1/3-in. 4 MP Progressive-scan CMOS Sensor
- Dual Stream Encoding
- Smart H. 265+ and Smart H.264+ Dual Codecs
- 4 MP at 20 fps Maximum Resolution, 2.8 mm Fixed Lens
- Starlight Technology for Low Light Sensitivity
- True WDR (120 dB) and Day/Night (ICR)
- Maximum IR LED Length 30 m (98.43 ft) with Smart IR
- Built-in Microphone
- Intelligent Video System
- ArcticPro Series Camera - Operational down to -40°C (-40°)
- IP67 Ingress Protection
- Five-year Warranty*



Intelligent Video System

IVS is a built-in video analytic algorithm that delivers intelligent functions to monitor a scene for Tripwire violations and intrusion detection. A camera with IVS quickly and accurately responds to monitoring events in a specific area and offers tamper detection by recognizing a dramatic scene change and generating a warning message to inspect the camera.

Smart IR Technology

With IR illumination, detailed images can be captured in low light or total darkness. The camera's Smart IR technology adjusts the intensity of the camera's infrared LEDs to compensate for the distance of an object. Smart IR technology prevents IR LEDs from whitening out images as they come closer to the camera. The camera's integrated infrared illumination provides high-performance in extreme low-light environments up to 30 m (98.43 ft).

ArcticPro

The Dahua ArcticPro Series of extreme-environment cameras combine temperature-tolerant components with a waterproof enclosure to ensure flawless operation in temperatures as low as -40°F (-40°C) without the need for an internal heater. The lack of a heater reduces the camera's power consumption and saves operating costs. For applications that demand high-resolution video with advanced features in extremely cold environments, the Dahua ArcticPro Series offers a camera to satisfy the most demanding requirements.

Environmental

Subjected and certified to rigorous dust and water immersion tests, the IP67 rating makes it suitable for demanding outdoor applications.

Technical Specification

Camera

Image Sensor	1/3-in. 4 MP Progressive-scan CMOS
Effective Pixels	2688(H) x 1520(V)
RAM/ROM	128 MB / 128 MB
Scanning System	Progressive
Electronic Shutter Speed	Auto, Manual; 1/3 s to 1/100000 s
Minimum Illumination	Color: 0.008 lux at F1.6 0 lux at F1.6 with IR on
IR Distance	Distance up to 30.0 m (98.43 ft)
IR On/Off Control	Auto, Manual
IR LEDs	Two (2)

Lens

Lens Type	Fixed-focal				
Iris Type	Fixed Aperture				
Mount Type	M12				
Focal Length	2.8 mm				
Maximum Aperture	F1.6				
Field of View	Horizontal: 102.0° Vertical: 55.0° Diagonal: 121.1°				
Close Focus Distance	0.90 m (2.95 ft)				
DORI ² Distance	Lens	Detect (8 ppf)	Observe (19 ppf)	Recognize (38 ppf)	Identify (76 ppf)
	2.8 mm	56.0 m (183.73 ft)	22.40 m (73.49 ft)	11.20 m (36.75 ft)	5.60 m (18.37 ft)

Pan/Tilt/Rotation

Range	Pan: 0° to 360° Tilt: 0° to 78° Rotation: 0° to 360°
-------	--

Video

Compression	Smart H.265+, H.265, Smart H.264+, H.264, H.264B, MJPEG				
Streaming Capability	Two (2) Streams				
Resolution	2688 x 1520, 2560 x 1440, 2304 x 1296, 1080p (1920 x 1080), 1.3 MP (1280 x 960), 720p (1280 x 720), D1 (704 x 480), VGA (640 x 480), CIF (352 x 240)				
Frame Rate	Main Stream	2688 x 1520 at 20 fps or 2560 x 1440 at 30 fps			
	Sub Stream	D1 (704 x 480) at 30 fps			
Bit Rate Control	CBR/VBR				
Bit Rate	H.264: 32 K to 6144 Kbps H.265: 12 K to 6144 Kbps				
Day/Night	Auto (ICR), Color, B/W				
Backlight	BLC, HLC, True WDR (120 dB)				

White Balance	Auto, Natural, Street Lamp, Outdoor, Manual, Regional Custom
Gain Control	Auto, Gain Priority, Shutter Priority, Manual
Noise Reduction	3D DNR
Motion Detection	Off, On (4 Zones, Rectangle)
Region of Interest	Off, On (4 Zones)
Smart IR	Support
Digital Zoom	16x
Image Rotation	0°, 90°, 180°, 270°
Mirror	Off, On
Privacy Masking	Off, On (4 Areas, Rectangle)

Network

Ethernet	RJ-45 (10/100 Base-T)
Protocol	HTTP, HTTPS, TCP, ARP, RTSP, RTP, UDP, SMTP, FTP, DHCP, DNS, DDNS, PPPOE, IPv4/v6, QoS, UPnP, NTP, Bonjour, 802.1x, Multicast, ICMP, IGMP, SNMP
Interoperability	ONVIF (Profile S, G, T), CGI, P2P, Milestone, Genetec
Streaming Method	Unicast, Multicast
Max. User Access	20
Edge Storage	Network Attached Storage (NAS) FTP, SFTP Micro SD Card slot (maximum 256 GB)
Web Viewer	IE, Chrome, Firefox
Management Software	Smart PSS, DSS, DMSS
Mobile Operating System	iOS, Android

Audio

Compression	G.711A, G.711Mu, G.726, AAC
Input	Built-in Microphone

Certifications

Safety	EN 60950-1
Electromagnetic Compatibility (EMC)	FCC CFR 47 Part 15 Subpart B Electromagnetic Compatibility Directive 2014/30/EU

Electrical

Power Supply	12 VDC ± 30%, or PoE (IEEE802.3af Class 0)
Power Consumption	< 6.6 W

Environmental

Operating Conditions	-40° C to +60° C (-40° F to +140° F), Less than 95% RH
Storage Conditions	-40° C to +60° C (-40° F to +140° F)
Ingress Protection	IP67

Construction

Casing	Metal
Dimensions	ø121.90 mm x 99.10 mm (ø4.80 in. x 3.90 in.)
Net Weight	0.48 kg (1.10 lb)
Gross Weight	0.65 kg (1.40 lb)

Core Analytics

IVS triggers an alarm and takes a defined action for the following events:

Standard Features	<ul style="list-style-type: none"> • Tampering with the camera. • Error writing to an onboard Micro SD card. • Error sending or receiving data over the network. • Unauthorized access to the camera.
Premium Features	
Tripwire	A target crosses a user-defined line.
Intrusion	A target enters or exits a defined perimeter.

Ordering Information

Type	Part Number	Description
4 MP Camera	N42BJ62	4 MP IR Eyeball Network Camera, True WDR, 2.8 mm
Accessories, optional	PFA130-E	Junction Box
	PFA152-E	Pole Mount (use with PFA130-E or PFB203W)
	PFB203W	Wall Mount
	DH-PFM321D-US	12 VDC, 1 A Power Adapter

Accessories

Optional:



PFA130-E
Junction Box



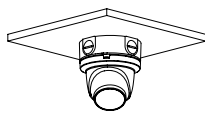
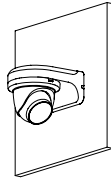

PFA152-E
Pole Mount



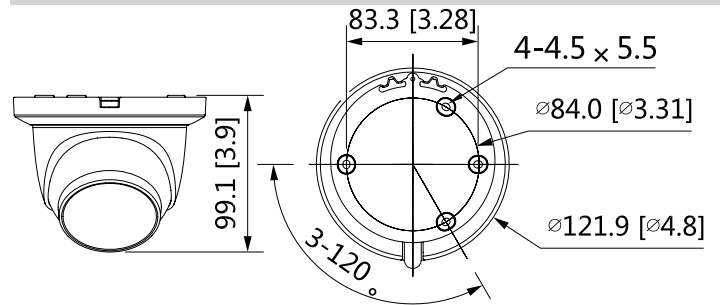
PFB203W
Wall Mount



DH-PFM321D-US
Power Adapter

Junction Mount	Wall Mount	Pole Mount
PFA130-E	PFB203W	PFB152-E+PFA203W
		

Dimensions (mm/inch)



1. The DORI distance is a measure of the general proximity for a specific classification to help pinpoint the right camera for your needs. The DORI distance is calculated based on sensor specifications and lab test results according to EN 62676-4, the standard that defines the criteria for the Detect, Observe, Recognize and Identify classifications.