

## 120 Volt AC Output - 0.5 Amp, 16 Point IC693MDL340

The *120 volt, 0.5 Amp AC Output* module provides 16 output points in two isolated groups with eight points in each group. Each group has a separate common associated with it (the two commons are not tied together inside the module). This allows each group to be used on different phases of the AC supply, or they can be powered from the same supply. Each group is protected with a 3 amp fuse, and an RC snubber is provided for each output to protect against transient electrical noise on the power line. This module provides a high-degree of inrush current which makes the outputs suitable for controlling a wide range of inductive and incandescent loads. AC Power to operate loads connected to outputs must be supplied by the user. This module requires an AC power source.

LED indicators which provide the ON/OFF status of each point are located at the top of the module. There are two horizontal rows with eight green LEDs in each row and a red LED centered between and to the right of the two rows. This module uses the two rows of green LEDs, labeled A1 through 8 and B1 through 8 for output status. The red LED (labeled F) is a blown fuse indicator that turns ON if either of the fuses should blow. A load must be connected to the blown fuse for the indicator to light. An insert goes between the inside and outside surface of the hinged door. The surface towards the inside of the module (when the hinged door is closed) has circuit wiring information, and circuit identification information can be recorded on the outside surface. The outside left edge of the insert is color-coded red to indicate a high-voltage module. This module can be installed in any I/O slot of a 5 or 10-slot baseplate in a Series 90-30 PLC system.

**Table 7-5. Specifications for IC693MDL340**

<b>Rated Voltage</b>	120 volts AC
<b>Output Voltage Range</b>	85 to 132 volts AC, 50/60 Hz
<b>Outputs per Module</b>	16 (two groups of eight outputs each)
<b>Isolation</b>	1500 volts between field side and logic side 500 volts between each group
<b>Output Current</b>	0.5 amp maximum per point 3 amps maximum per group
<b>Output Characteristics</b>	
<b>Inrush Current</b>	20 amps maximum for one cycle
<b>Minimum Load Current</b>	50 mA
<b>Output Voltage Drop</b>	1.5 volts maximum
<b>Output Leakage Current</b>	2 mA maximum at 120 volts AC
<b>On Response Time</b>	1 ms maximum
<b>Off Response Time</b>	1/2 cycle maximum
<b>Power Consumption</b>	315 mA (all outputs ON) from 5 volt bus on backplane

Refer to Appendix B for product standards and general specifications.

### IC693MDL340 Output Module Field Wiring Information

The following figure provides wiring information for connecting user supplied input devices and power source to the 120 volt AC output module.

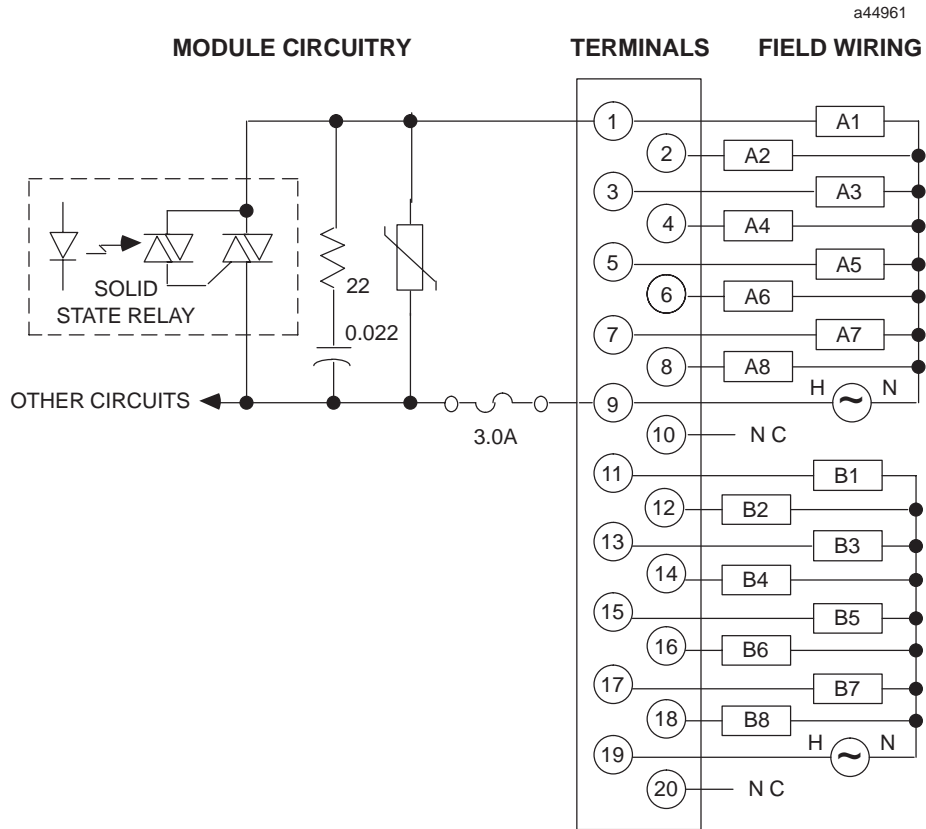


Figure 7-6. IC693MDL340 Output Module Field Wiring

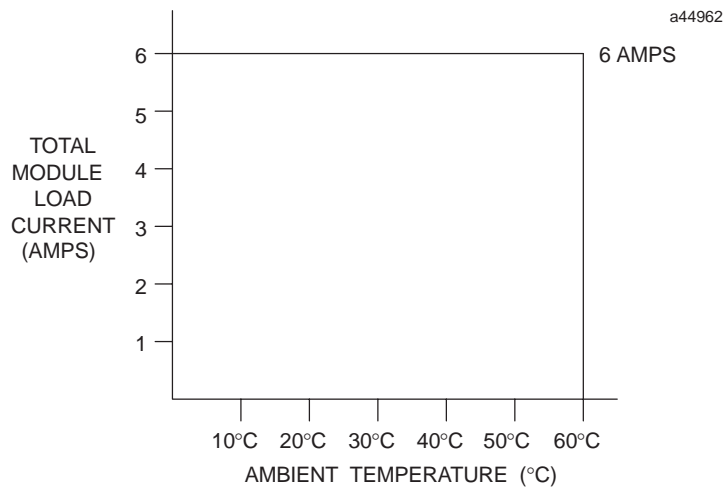


Figure 7-7. Load Current vs. Temperature for IC693MDL340