

GIMBAL HIGH OUTPUT LED GIMBAL DOWNLIGHT 3.5"

The LED Gimbal High Output downlight combines a sleek design with a small aperture without any compromise to the light output. With up to 950 lumens and a CRI of 90, this small downlight provides an outstanding performance that will suit both residential and commercial applications.

FEATURES AND SPECIFICATIONS

• Construction

Finishing

- Trim finish White, Black and Brushed Nickel
- Available in round in 3.5"

Mounting

- Cutting hole 3 1/2" (90 mm) to 4 1/4" (108 mm)
- Can cover a retrofit application cutting hole

• Technical specifications

- Phase cut dimming (TRIAC/ELV)
- Color temperature: 3 000 - 2 200, 3 000 and 4 000 K
- 90+ CRI
- FT6 cable for ceiling plenum applications
- 24° tilt and 360° module rotation to light any direction
- Estimated lifespan of 50 000 hours to L70
- Ambient temperature: -20° - +45°C
- Suitable for wet location
- IC Rated
- Air tight

• Compliances

- Energy Star
- ETL



OVERVIEW

| | |
|-----------------------|-----------------------------|
| Light source | LED |
| Watts (W) | 12 |
| Lumen output (lm) | 660 - 950 |
| Efficiency (lm/W) | 55 - 80 |
| Color temperature (K) | 3 000 - 2 200, 3 000, 4 000 |
| CRI | 90+ |
| Weight (lbs) | 1.88 |



QUICK SHIP AND TECHNICAL SPECIFICATION TABLE  ¹

| Order code | Part number | Watts (W) | Volts (VAC) | Color temp. (K) ² | Lumen output (lm) ³ | Efficiency (lm/W) | CRI | Life L70 (hrs) ⁴ | Tested hours LM-80 (hrs) ⁴ | Beam angle (°) | Finish | Power factor | THD (%) | Case qty (master) |
|-------------------|---------------------------------|-----------|-------------|------------------------------|--------------------------------|-------------------|-----|-----------------------------|---------------------------------------|----------------|----------------|--------------|---------|-------------------|
| 3.5" Round | | | | | | | | | | | | | | |
| 67809 | DL/GIMBAL/RND/12W/30K/WH/STD | 12 | 120 | 3 000 | 920 | 77 | 90+ | 50 000 | 10 000 | 40 | White | >0.9 | <20 | 24 |
| 67810 | DL/GIMBAL/RND/12W/30K/BN/STD | 12 | 120 | 3 000 | 920 | 77 | 90+ | 50 000 | 10 000 | 40 | Brushed Nickel | >0.9 | <20 | 24 |
| 67811 | DL/GIMBAL/RND/12W/30K/BK/STD | 12 | 120 | 3 000 | 920 | 77 | 90+ | 50 000 | 10 000 | 40 | Black | >0.9 | <20 | 24 |
| 67812 | DL/GIMBAL/RND/12W/40K/WH/STD | 12 | 120 | 4 000 | 950 | 79 | 90+ | 50 000 | 10 000 | 40 | White | >0.9 | <20 | 24 |
| 67813 | DL/GIMBAL/RND/12W/30-22K/WH/STD | 12 | 120 | 3 000-2 200 | 660 | 55 | 90+ | 50 000 | 6 000 | 40 | White | >0.9 | <20 | 24 |

¹ **QUICK SHIP:** Product availability is subject to change without notice. Please contact your Stanpro customer service representative to confirm inventory levels at time of order.

² Typical color temperature range: +/- 5 %.

³ Lumen values are derived from photometric testing. Initial lumens range: +/- 10 %.

⁴ Life hours are derived from IESNA LM-80-08 testing report and projected per IESNA TM-21-11 extrapolations.

ACCESSORIES (order separately)

| Part number | Description | Type | Opening diameter (in) | Case qty (master) |
|-------------|----------------------------------|---------------------------------|-----------------------|-------------------|
| 66049 | ACC/MPLATE/3.625IN/SQR/STD | Square mounting plate | 3 5/8 | 96 |
| 66056 | ACC/MPLATE/3.625IN/ADJ/STD | Adjustable mounting plate | 3 5/8 | 96 |
| 66142 | ACC/3/VAPOR BARRIER/STD | Vapor barrier extender | 3 5/8 | 50 |
| 66820 | ACC/MPLATE/3.625IN/HANG.BARS/STD | Mounting plate with hanger bars | 3 5/8 | 25 |
| 66964 | LPDL/ACC/6FT/EXTCABLE/FT6/STD | 6' FT6 Extension cord | - | 96 |

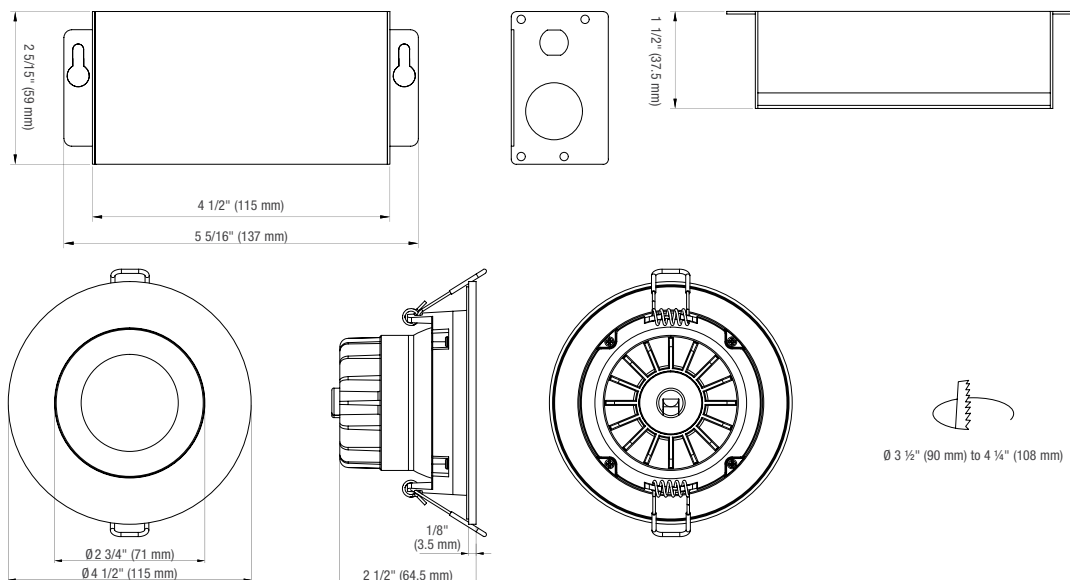


COMPATIBLE DIMMERS

| Brand | Model number | |
|---------|--|---|
| | 3 000 K and 4 000 K | 3 000 - 2 200 K |
| Legrand | RH703PTUTC | RH703PTUTC |
| Cooper | RRD-6NA, AAL06, SLC03P, | RRD-6NA, AAL06, SLC03P, |
| Leviton | IPL06, 6674, DSL06-1LZ, DSM10-1LZ, IPE04-1LZ, DDMX1 | IPL06, 6674, DSL06-1LZ, DSM10-1LZ, IPE04-1LZ, DDMX1 |
| Lutron | PD-5NE, PD-6WCL, DVCL-153P, CTCL-153P, DVCL-253P, AYCL-253P, DVRP-253P, SELV-300P, MACL-153P | PD-5NE, DVCL-153P, CTCL-153P, DVCL-253P, AYCL-253P, DVRP-253P, SELV-300P, MACL-153P |

Dimming range: 10%-100%

DIMENSIONS

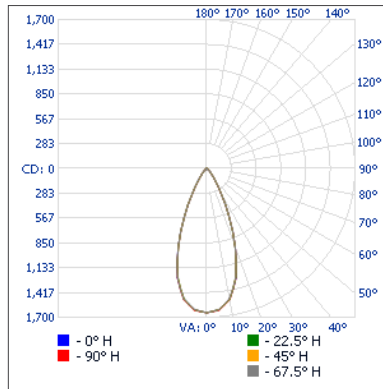


Data is based upon tests performed in a controlled environment. Actual performance can vary depending on operating conditions. All products are subject to change or may be discontinued any time without notice.

PHOTOMETRIC DATA¹

67809 • DL/GIMBAL/RND/12W/30K/WH/STD • 966.6 lm

Polar candela distribution



Zonal lumen summary

| Zone | Lumens | % Fixture |
|--------|--------|-----------|
| 0-30 | 777.5 | 80.4% |
| 0-40 | 894.2 | 92.5% |
| 0-60 | 955.5 | 98.9% |
| 60-90 | 11.1 | 1.1% |
| 70-100 | 3.5 | 0.4% |
| 90-120 | 0 | 0% |
| 0-90 | 966.6 | 100% |
| 90-180 | 0 | 0% |
| 0-180 | 966.6 | 100% |

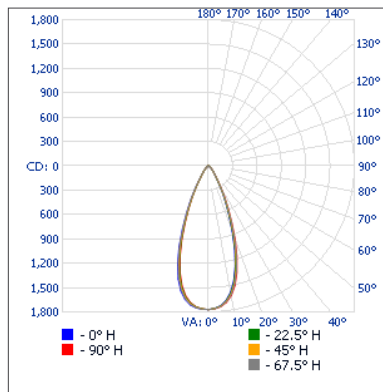
Illuminance at a distance

| Center beam fc | Beam width |
|----------------|------------|
| 1.7' | 1.4' 1.4' |
| 3.3' | 2.7' 2.6' |
| 5.0' | 4.0' 4.0' |
| 6.7' | 5.4' 5.4' |
| 8.3' | 6.7' 6.7' |
| 10.0' | 8.0' 8.0' |

Vert. spread: 43.8°
Horiz. spread: 43.7°

67812 • DL/GIMBAL/RND/12W/40K/WH/STD • 985.5 lm

Polar candela distribution



Zonal lumen summary

| Zone | Lumens | % Fixture |
|-------|--------|-----------|
| 0-30 | 796.1 | 80.8% |
| 0-40 | 903.3 | 91.7% |
| 0-60 | 972.3 | 98.7% |
| 60-90 | 13.2 | 1.3% |
| 0-90 | 985.5 | 100% |

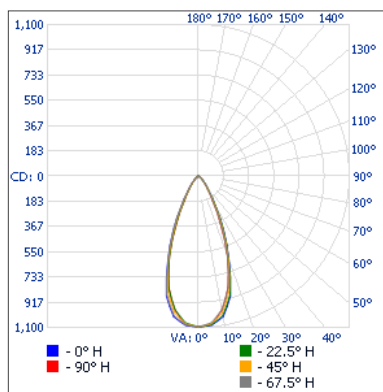
Illuminance at a distance

| Center beam fc | Beam width |
|----------------|------------|
| 1.7' | 1.3' 1.3' |
| 3.3' | 2.5' 2.5' |
| 5.0' | 3.8' 3.8' |
| 6.7' | 5.1' 5.1' |
| 8.3' | 6.3' 6.3' |
| 10.0' | 7.6' 7.6' |

Vert. spread: 41.7°
Horiz. spread: 41.8°

67813 • DL/GIMBAL/RND/12W/30-22K/WH/STD • 672.9 lm

Polar candela distribution



Zonal lumen summary

| Zone | Lumens | % Fixture |
|--------|--------|-----------|
| 0-30 | 521.2 | 77.4% |
| 0-40 | 608.0 | 90.3% |
| 0-60 | 661.9 | 98.4% |
| 60-90 | 11.1 | 1.6% |
| 70-100 | 3.2 | 0.5% |
| 90-120 | 0 | 0% |
| 0-90 | 672.9 | 100% |
| 90-180 | 0 | 0% |
| 0-180 | 672.9 | 100% |

Illuminance at a distance

| Center beam fc | Beam width |
|----------------|------------|
| 1.7' | 1.4' 1.3' |
| 3.3' | 2.7' 2.6' |
| 5.0' | 4.1' 3.9' |
| 6.7' | 5.5' 5.3' |
| 8.3' | 6.8' 6.5' |
| 10.0' | 8.2' 7.9' |

Vert. spread: 44.7°
Horiz. spread: 42.9°

Data is based upon tests performed in a controlled environment. Actual performance can vary depending on operating conditions. All products are subject to change or may be discontinued any time without notice.