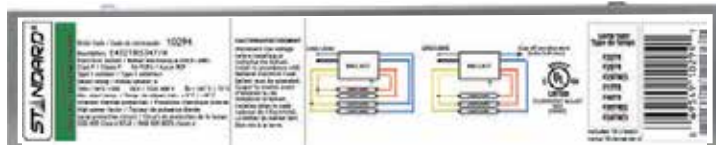


## ORDERING INFORMATION

Order code: 10294  
 Description: E432T8IS347/N  
 UPC: 69549102941



## SPECIFICATIONS

**Ballast type:** Electronic  
**Starting method:** Instant Start  
**Lamp connection:** Parallel  
**Input voltage (V):** 347  
**Input frequency (Hz):** 50/60  
**Max. case temperature:** 75 °C  
**Thermal protection:** Class P

**Type:** 1 Outdoor  
**Contains PCBs:** No  
**Sound rating:** A  
**Open current voltage (OCV) (V):** 600  
**Inherent thermal protection:** Yes  
**Lamp protection circuit:** Yes  
**ICES-005 Compliant:** Class A RFLD  
**Auto-restrike:** Yes



This lighting equipment complies with Canadian standard ICES-005; for use in commercial applications.

Lamp type	Number of lamps	Rated lamp watts	Min. start temp. (°F / °C)	Input current (A)	Input power (ANSI watts)	Ballast factor	Max THD (%)	Power factor	Max. lamp current crest factor	B.E.F.
<b>347 VOLTS</b>										
F32T8 (32W)	4	32	0/-18	0.32	108	0.87	10	0.99	1.7	0.81
F32T8/ES (30W)	4	30	32/0	0.30	102	0.87	10	0.99	1.7	0.85
F32T8/ES (28W)	4	28	32/0	0.28	96	0.87	10	0.99	1.7	0.91
F32T8/ES (25W)	4	25	32/0	0.25	87	0.87	10	0.99	1.7	1.00
F25T8 (25W)	4	25	0/-18	0.24	82	0.91	10	0.99	1.7	1.11
F17T8 (17W)	4	17	0/-18	0.18	61	0.92	10	0.99	1.7	1.51
LED22T8 (22W)	4	22	0/-18	0.27	92	-	10	0.99	-	-
LED18T8 (18W)	4	18	0/-18	0.35	76	-	10	0.99	-	-
F32T8 (32W)	3	32	0/-18	0.25	92	0.97	10	0.99	1.7	1.05
F32T8/ES (30W)	3	30	32/0	0.26	84	0.97	10	0.99	1.7	1.15
F32T8/ES (28W)	3	28	32/0	0.23	79	0.97	10	0.99	1.7	1.23
F32T8/ES (25W)	3	25	32/0	0.20	70	0.97	10	0.99	1.7	1.39
F25T8 (25W)	3	25	0/-18	0.20	69	0.98	10	0.99	1.7	1.42
F17T8 (17W)	3	17	0/-18	0.15	51	1.00	15	0.99	1.7	1.96
F40T8 (40W)	3	40	32/0	0.31	107	0.87	10	0.99	1.7	0.81
LED22T8 (22W)	3	22	0/-18	0.23	77	-	10	0.99	-	-
LED18T8 (18W)	3	18	0/-18	0.29	64	-	10	0.98	-	-
LED22T8 (22W)	2	22	0/-18	0.18	62	-	10	0.98	-	-
LED18T8 (18W)	2	18	0/-18	0.23	51	-	10	0.95	-	-
LED22T8 (22W)	1	22	0/-18	0.15	47	-	10	0.98	-	-
LED18T8 (18W)	1	18	0/-18	0.16	34	-	10	0.92	-	-

### WARRANTY:

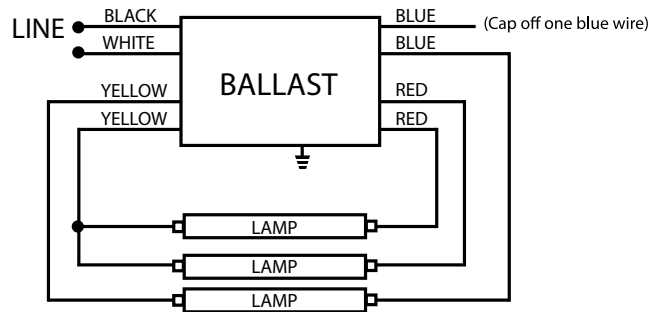
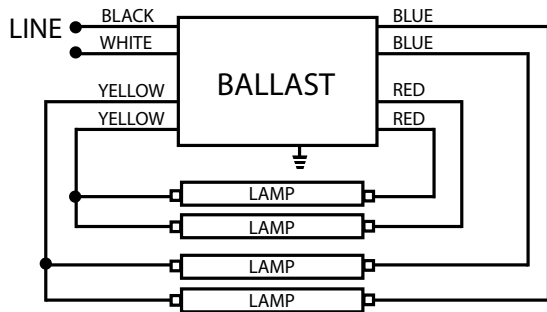
Ballast warranty of 5 years for electronic ballast 75 °C. Ballast warranty of 3 years for electronic ballast 90 °C. For more information visit our website.

Data is based upon tests performed in a controlled environment and representative of relative performance. Actual performance can vary depending on operating conditions. Specifications are subject to change without notice.  
 March 9, 2015

## ORDERING INFORMATION

Order code: 10294  
 Description: E432T8IS347/N  
 UPC: 69549102941

## WIRING DIAGRAM

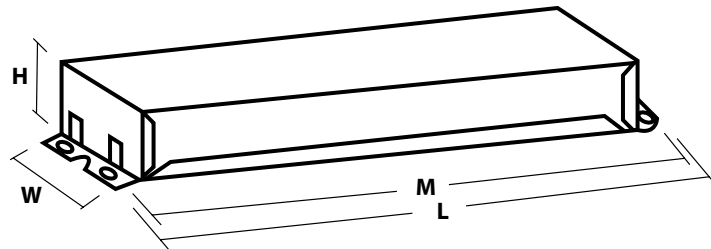


## LEADS LENGTH

Black	18.0" (48.0 cm)
White	18.0" (48.0 cm)
Blue	30.9" (78.5 cm)
Red	30.9" (78.5 cm)
Yellow	46.0" (116.84 cm)

## BALLAST DIMENSIONS

Length (L):	9.50" (24.1 cm)
Width (W):	1.70" (4.3 cm)
Height (H):	1.14" (2.9 cm)
Mounting (M):	8.90" (22.6 cm)



This lighting equipment complies with Canadian standard ICES-005; for use in commercial applications.

### WARRANTY:

Ballast warranty of 5 years for electronic ballast 75 °C. Ballast warranty of 3 years for electronic ballast 90 °C. For more information visit our website.

Data is based upon tests performed in a controlled environment and representative of relative performance. Actual performance can vary depending on operating conditions. Specifications are subject to change without notice.  
 March 9, 2015