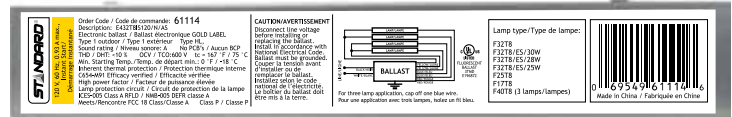


ORDERING INFORMATION

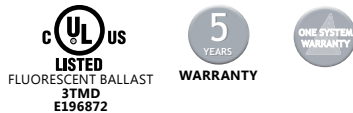
Order code: 61114
 Description: E432T8IS120/N/AS
 UPC: 69549611146



SPECIFICATIONS

Ballast type: Electronic
Starting method: Instant Start
Lamp connection: Parallel
Input voltage (V): 120
Input frequency (Hz): 60
Max. case temperature: 75 °C
Thermal protection: Class P

Type: 1 Outdoor
Contains PCBs: No
Sound rating: A
Open current voltage (OCV) (V): 600
Inherent thermal protection: Yes
Lamp protection circuit: Yes
ICES-005 Compliant: Class A RFLD
Auto-restrike: Yes



This lighting equipment complies with Canadian standard ICES-005; for use in commercial applications.

Lamp type	Number of lamps	Rated lamp watts	Min. start temp. (°F / °C)	Input current (A)	Input power (ANSI watts)	Ballast factor	Max THD (%)	Power factor	Max. lamp current crest factor	B.E.F.
120 VOLTS										
F32T8 (32W)	4	32	0/-18	0.93	109	0.88	10	0.98	1.7	0.81
F32T8/ES (30W)	4	30	0/-18	0.88	102	0.88	10	0.98	1.7	0.86
F32T8/ES (28W)	4	28	0/-18	0.82	96	0.88	10	0.98	1.7	0.92
F32T8/ES (25W)	4	25	0/-18	0.77	87	0.88	10	0.98	1.7	1.01
F25T8 (25W)	4	25	0/-18	0.74	89	0.94	10	0.98	1.7	1.06
F17T8 (17W)	4	17	0/-18	0.51	61	0.96	10	0.98	1.7	1.57
LED22T8 (22W)	4	22	0/-18	0.75	89	-	10	0.99	-	-
LED18T8 (18W)	4	18	0/-18	0.65	76	-	10	0.99	-	-
F32T8 (32W)	3	32	0/-18	0.79	94	1.00	10	0.98	1.7	1.06
F32T8/ES (30W)	3	30	0/-18	0.73	84	0.97	10	0.98	1.7	1.15
F32T8/ES (28W)	3	28	0/-18	0.68	79	0.97	10	0.98	1.7	1.23
F32T8/ES (25W)	3	25	0/-18	0.63	70	0.97	10	0.98	1.7	1.39
F25T8 (25W)	3	25	0/-18	0.62	74	1.04	10	0.98	1.7	1.41
F40T8 (40W)	3	40	0/-18	0.93	112	0.88	10	0.98	1.7	0.79
LED22T8 (22W)	3	22	0/-18	0.62	73	-	10	0.99	-	-
LED18T8 (18W)	3	18	0/-18	0.54	63	-	10	0.98	-	-
LED22T8 (22W)	2	22	0/-18	0.48	56	-	10	0.98	-	-
LED18T8 (18W)	2	18	0/-18	0.41	48	-	10	0.97	-	-
LED22T8 (22W)	1	22	0/-18	0.31	35	-	10	0.96	-	-
LED18T8 (18W)	1	18	0/-18	0.23	30	-	10	0.94	-	-

WARRANTY:

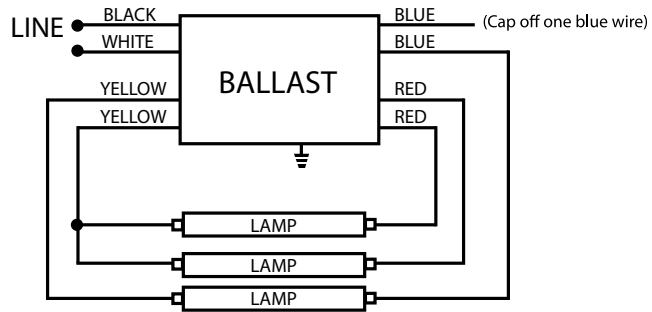
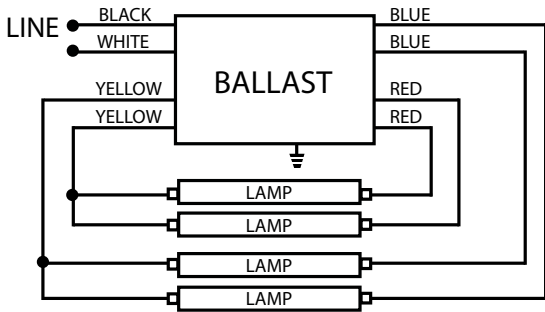
Ballast warranty of 5 years for electronic ballast 75 °C. Ballast warranty of 3 years for electronic ballast 90 °C. For more information visit our website.

Data is based upon tests performed in a controlled environment and representative of relative performance. Actual performance can vary depending on operating conditions. Specifications are subject to change without notice. March 9, 2015

ORDERING INFORMATION

Order code: 61114
 Description: E432T8IS120/N/AS
 UPC: 69549611146

WIRING DIAGRAM

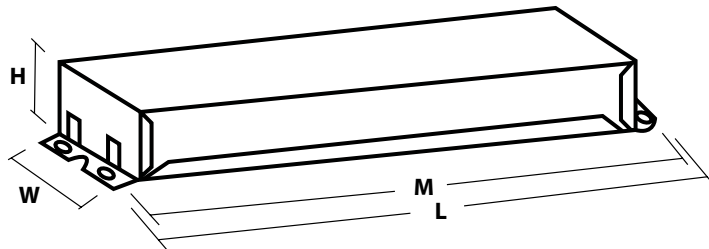


LEADS LENGTH

Black	25" (63.50 cm)
White	25" (63.50 cm)
Blue	31" (78.74 cm)
Red	31" (78.74 cm)
Yellow	46" (116.84 cm)

BALLAST DIMENSIONS

Length (L):	9.50" (24.10 cm)
Width (W):	1.30" (3.30 cm)
Height (H):	1.00" (2.54 cm)
Mounting (M):	8.91" (22.63 cm)



This lighting equipment complies with Canadian standard ICES-005; for use in commercial applications.

WARRANTY:

Ballast warranty of 5 years for electronic ballast 75 °C. Ballast warranty of 3 years for electronic ballast 90 °C. For more information visit our website.

Data is based upon tests performed in a controlled environment and representative of relative performance. Actual performance can vary depending on operating conditions. Specifications are subject to change without notice.
 March 9, 2015