

FEATURES & SPECIFICATIONS

INTENDED USE — Typical applications include corridors, lobbies, conference rooms and private offices.

CONSTRUCTION — Retrofit, remodel, and new construction mounting types. See table for compatible ceiling openings and thickness range.

Optional goof rings available for additional overlap trim coverage.

1/2"-1-1/2" ceiling thickness

25° ambient temperature

IC rated up to 1000lm

OPTICS — 55° cutoff

New construction frame accessories approved for 8 (4 in/4 out) No. 12 AWG conductors rated for 90°C through wiring.

1.0 S/MH standard (wallwash reflector available)

80CRI standard (90CRI optional)

ELECTRICAL — Adjustable lumen output with three module options. Fixed lumen options also available. MVOLT 120/277V 50/60Hz driver (0-10V & 120V Phase Dimming to 10% min dimming level)

100LPW typical

FCC CFR Title 47 Part 15 Class A for lower lumen range. FCC CFR Title 47 Part 15 Class B for higher lumen range.

L80 at 60,000 hours

3 SDCM

LISTINGS — Certified to US and Canadian safety standards. Damp location standard (Wet location, covered ceiling optional). Some configurations are ENERGY STAR® certified, please visit www.energystar.gov for specific products. TAA compliant.

WARRANTY — 5-year limited warranty. Complete warranty terms located at:

www.acuitybrands.com/support/customer-support/terms-and-conditions

Note: Actual performance may differ as a result of end-user environment and application.

All values are design or typical values, measured under laboratory conditions at 25 °C.

Specifications subject to change without notice.



A+ Capable options indicated by this color background.

Catalog Number
Notes
Type

LBR

**4"-8" OPEN
Retrofit Downlight**



ORDERING INFORMATION

Lead times will vary depending on options selected. Consult with your sales representative.

Example: LBR6 ALO2 SWW1 AR LSS MWD MVOLT UGZ 90CRI

Series	Lumens ¹	Color temperature ¹	Reflector Color	Reflector Flange	Reflector Finish
LBR4 4" Retrofit	Adjustable Lumen Output	Switchable CCT	AR Clear	(blank) Self-flanged	LSS Semi-specular
LBR6 6" Retrofit	ALO1 500/750/1000lm	SWW1 3000K-3500K-4000K-5000K	WR ² White painted	TRW ³ White painted flange	
LBR8 8" Retrofit	ALO2 1000/1500/2000lm	Fixed CCT	BR ² Black painted	TRBL ⁴ Black painted flange	
LBR4WW 4" Retrofit Wallwash	ALO3 2000/2500/3000lm	30K 3000K			
LBR6WW 6" Retrofit Wallwash	Fixed Lumen Output	35K 3500K			
LBR8WW 8" Retrofit Wallwash	05LM 500lm	40K 4000K			
	07LM 750lm	50K 5000K			
	10LM 1000lm				
	15LM 1500lm				
	20LM 2000lm				
	25LM 2500lm				
	30LM 3000lm				

Distribution	Voltage	Driver	Options
MWD Medium wide (1.0 s/mh)	MVOLT 120V - 277V	UGZ Universal dimming to 10% 0-10V; line voltage dimming (120V)	90CRI High CRI (90+) AT ⁷ Airtight E10WCPR ⁸ Batterypack (10W constant power) T20 Compliant remote test switch
WW ⁵ Wallwash		DALI ⁶ DALI dimming to 1%	ELR ⁸ Batterypack (10W constant power) Non-T20 Compliant remote test switch EC1 ⁹ Extended Conduit (18") EC6 ⁹ Extended Conduit (6ft) WL ⁷ Wet Location QDS ¹⁰ Quick disconnect plugs

Notes

- Fixed CCT and lumens must be specified together (for example: 10LM 30K).
- Not available with reflector finish.
- For use with Clear (AR) reflector finish only. Not applicable with WR (white reflector).
- For use with Clear (AR) reflector finish only. Not applicable with BR (Black reflector).
- Only available with WW Series (for example LBR4WW).
- Not available with Fixed CCT and lumens.
- Not available with wallwash (WW).
- Top access installation or 17.5" plenum clearance required for roomside installation
- Not available with QDS, ELR and E10WCPR.
- QDS not available with emergency battery packs.
- Field installed. Top access installation required.

Accessories: Order as separate catalog number. Shipped separately.	
LBRGR56	Goof ring 5-3/4" to 6-3/4"
LBRGR78	Goof ring 7-3/4" to 8-3/4"
LBRGR910	Goof ring 9-3/4" to 10-3/4"
LBR468 FPAN U	Mounting plate 4"-8" unit pack
LBR468 FPAN J10	Mounting plate 4"-8" 10-pack
LBR4PF	4" New construction frame with JBOX
LBR6PF	6" New construction frame with JBOX
LBR8PF	8" New construction frame with JBOX
LBR4PFW	4" New construction frame with JBOX, 18" conduit
LBR6PFW	6" New construction frame with JBOX, 18" conduit
LBR8PFW	8" New construction frame with JBOX, 18" conduit
LBR4PFWQDS	4" New construction frame with JBOX, 18" conduit, quick disconnects
LBR6PFWQDS	6" New construction frame with JBOX, 18" conduit, quick disconnects
LBR8PFWQDS	8" New construction frame with JBOX, 18" conduit, quick disconnects
LBR SDT 347V 75W ASM	Field installed 347V Step-down transformer
NPP16 D EFP ¹¹	Field installed nLight Power Pack

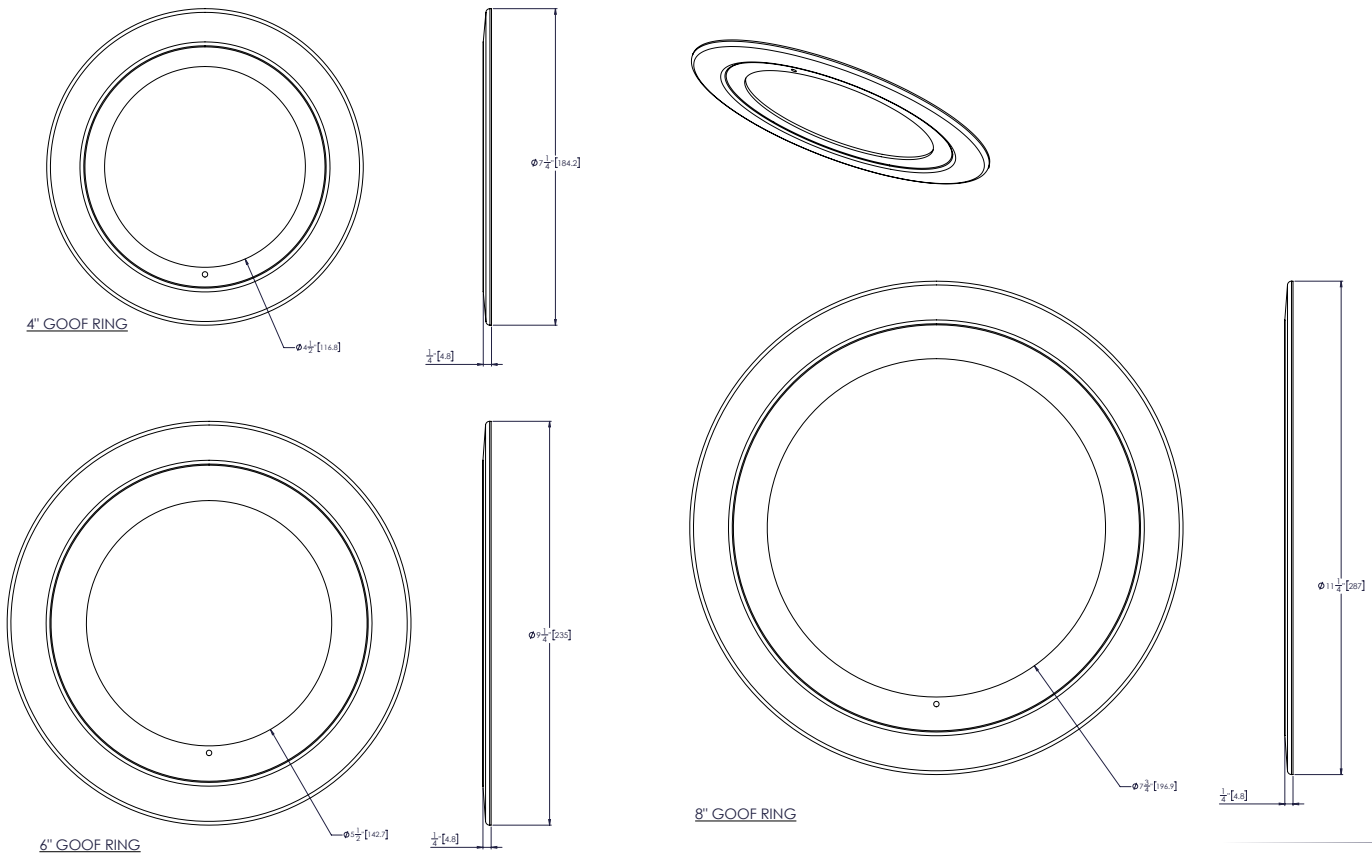
Series	Plaster Frame Accessory	Compatible Mounting Option
LBR4, LBR4WW	LBR4PF	QDS, EC1, ELR, E10WCPR
	LBR4PFW	Base fixture only
	LBR4PFWQDS	QDS fixture only
LBR6, LBR6WW	LBR6PF	QDS, EC1, ELR, E10WCPR
	LBR6PFW	Base fixture only
	LBR6PFWQDS	QDS fixture only
LBR8, LBR8WW	LBR8PF	QDS, EC1, ELR, E10WCPR
	LBR8PFW	Base fixture only
	LBR8PFWQDS	QDS fixture only

Goof rings must specify finish

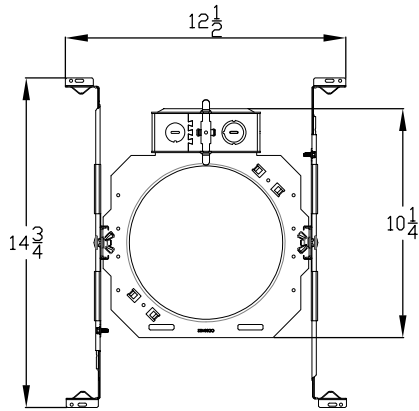
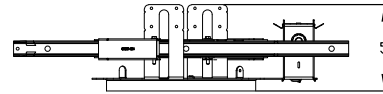
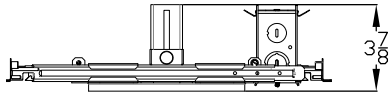
Examples: LBRGR56 WR, LBRGR78 BR, LBRGR910 AR

WR = white, BR = black, AR = Clear

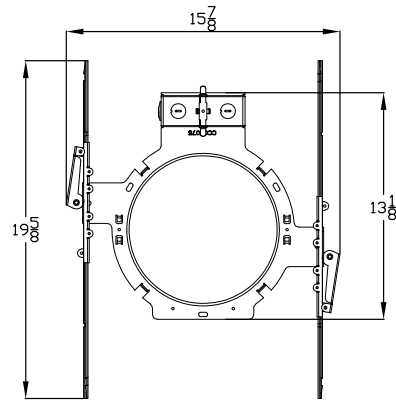
* All dimensions are inches (millimeters) unless otherwise noted.



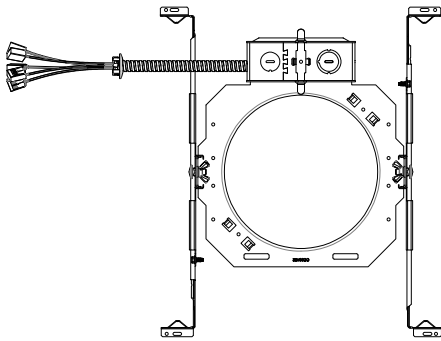
* All dimensions are inches (millimeters) unless otherwise noted.



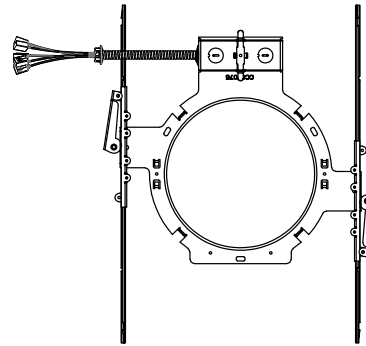
4" & 6" New Construction Frame



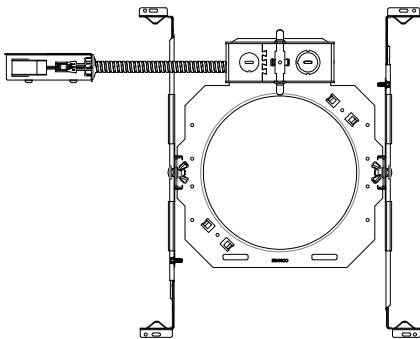
8" New Construction Frame



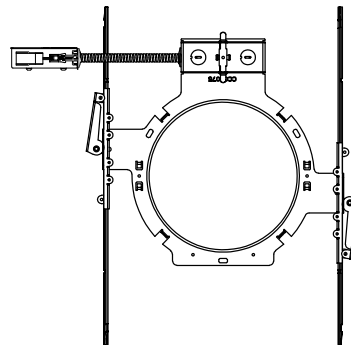
4" & 6" New Construction Frame, 18" conduit



8" New Construction Frame, 18" Conduit



4" & 6" New Construction Frame, QDS



8" New Construction Frame, QDS

Aperture Size	Ceiling Cutout
4 in	5-1/8"
6 in	7-1/8"
8 in	8-3/4"