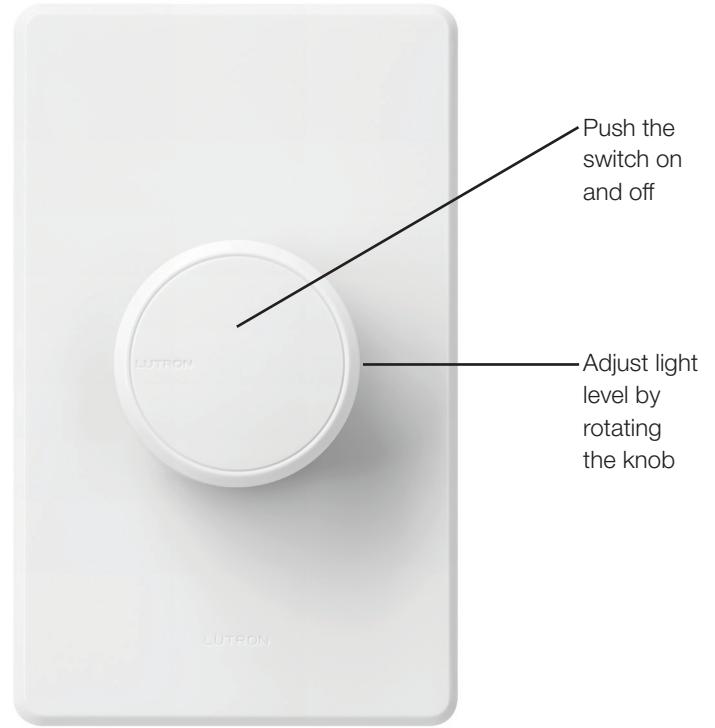


Dalia LED+ Dimmer

Dimmer for dimmable LED, Halogen, Incandescent, and CFL bulbs.

Features

- Push on/push off rotary knob with locator light for a traditional wallplate opening
- LED+ Technology: Advanced Lutron dimming circuitry designed for compatibility with most high-efficacy light bulbs
- UL Listed to control:
 - Dimmable LED with integrated driver
 - Halogen
 - Incandescent
 - Dimmable compact fluorescent lamps (CFL) with integrated ballast
- Low-end adjustment to accommodate a wide range of bulbs
- 100% factory tested
- Locator light features a soft glow to help you find the dimmer in the dark



* FW-1-xx ¹ wallplate sold separately

Application Requirements

- **When dimming LEDs, only bulbs marked or rated as DIMMABLE may be used.**
- To access our mobile friendly online tool of DIMMABLE LEDs visit www.lutron.com/LEDfinder

Model Numbers

RCL-153PNL-XX^{1,2,4} Single pole/3-way with locator light³

¹ "XX" in the model number represents color/finish code; see **"Colors and Finishes"** chart on next page.

² For clamshell packaging, add "H" after "153PNL".

³ For 3-way and 4-way switching, use Claro switches or other mechanical switches.

⁴ Add "C" for Canada.

Job Name:	Model Numbers:
Job Number:	

Specifications

Regulatory Approvals

- UL Listed to US and Canadian safety requirements
UL1472 / CSA C22.2 184.1
- NOM

Power and Ratings

- 120 V~ 60 Hz
- 150 W dimmable LED/CFL
- or**
- 600 W Incandescent/Halogen
- or**
- Mixed bulb type per **Multigang and Mixed Bulb Type Ratings** table (see page 3)

Environment

- For indoor use only
- Operating temperatures 0 °C to 40 °C (32 °F to 104 °F)

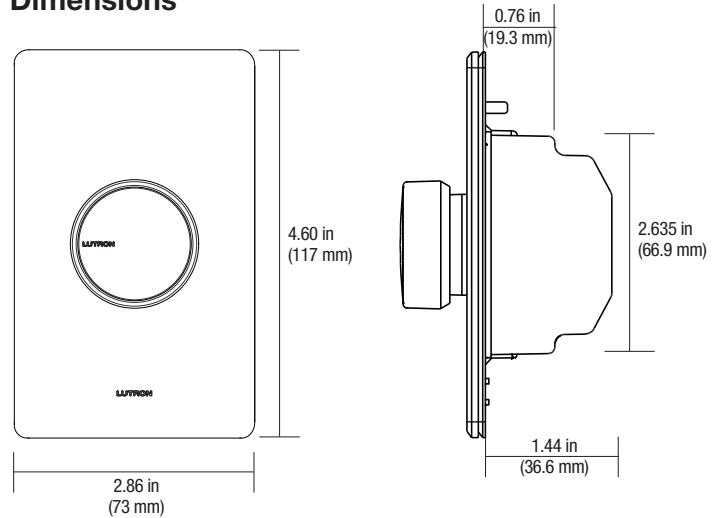
Performance

- Power-failure memory
- Illuminated rotary knob
- Electrostatic discharge tested
- Precise color matching
- Mechanical air-gap switch to disconnect load power

Warranty

- 1 Year Limited Warranty
- For additional Warranty information, please visit
www.lutron.com/TechnicalDocumentLibrary/369-119_Wallbox_Warranty.pdf

Dimensions



Colors and Finishes

Gloss Finishes

Add color/finish code to model #

Example: RCL-153PNL-WH

WH	White
IV	Ivory
LA	Light Almond
BL	Black

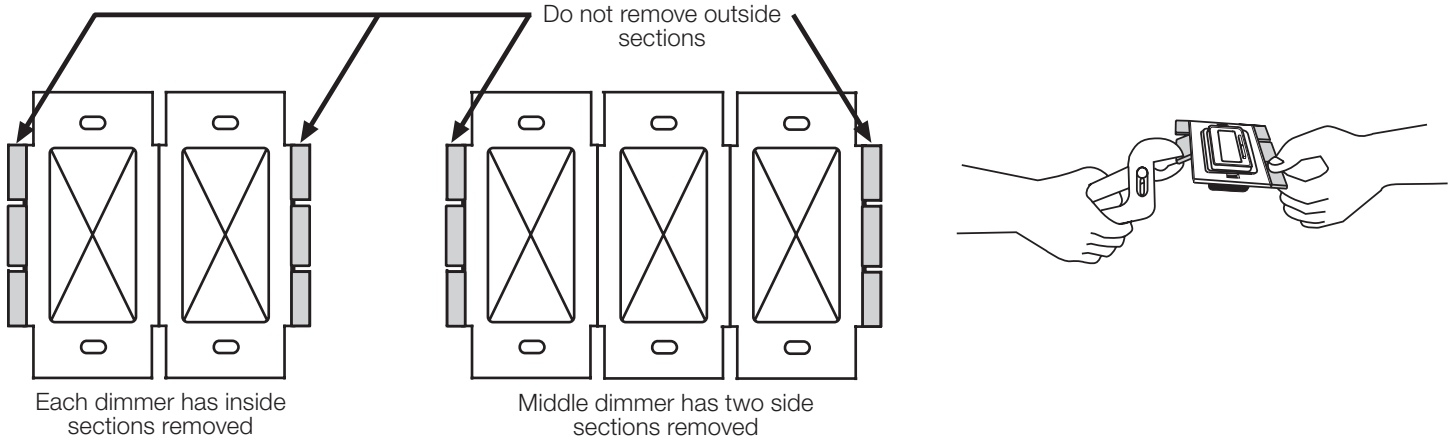
Job Name:	Model Numbers:
Job Number:	

Multigang and Mixed-Bulb-Type Ratings

When installing more than one dimmer in the same wallbox, it will be necessary to reduce maximum wattage, as shown in the chart below.

Mixing bulb types (**using a combination of LED/CFL, and incandescent/halogen bulbs**) will also affect the maximum ratings, as shown in the chart below.

*EXAMPLE: If two units installed next to each other and you have two 24 W CFL bulbs installed (Total CFL Wattage = 48 W), you may add up to 250 W of incandescent or halogen lighting.



Total LED/CFL Wattage Installed (Wattage per bulb x # of bulbs)	LED CFL	Maximum Allowable Incandescent/Halogen Wattage		
		Single Gang	End of Gang	Middle of Gang
0 W	+	600 W	450 W	300 W
1 W – 25 W	+	500 W	350 W	200 W
26 W – 50 W	+	400 W	250 W	100 W
51 W – 75 W	+	300 W	150 W	50 W
76 W – 100 W	+	200 W	50 W	0 W
101 W – 125 W	+	100 W	0 W	0 W
126 W – 150 W	+	0 W	0 W	0 W

Job Name:	Model Numbers:
Job Number:	