

# PASSIVE INFRARED DUAL RELAY WALL SWITCH OCCUPANCY SENSOR

| PW-302

High sensitivity and dense coverage  
for exceptional performance

Two relays for control of two  
separate lighting loads or circuits

Defaults to Auto-ON to 50% operation  
for maximum energy savings



Optional neutral connection with break  
off tab to expose neutral terminals

120/240/277 VAC and 347 VAC models

Allows multi-way control from one  
of up to four control locations

## Description

The PW-302 passive infrared (PIR) wall switch sensor turns lights ON and OFF based on occupancy. It contains two relays for controlling two independent lighting loads or circuits, and a variety of features.

## Operation

The PW-302 replaces existing wall switches and installs in a single gang junction box with or without either neutral wiring. Each of the PW-302's relays can control a separate lighting load. The device uses advanced PIR technology to detect occupancy and turn the first relay ON. The other relay must be manually engaged to turn remaining lights on. Once the space is vacated and the time delay elapses, all lights automatically turn OFF. Dual ON/OFF buttons allow the user to manually turn on and off each of the loads. DIP switch settings allow for a variety of control options such as Manual-ON or Auto-ON for each relay, walk-through and test modes. Multiple sensors may be used for control of one or more loads from up to four locations.

## Features

- Complies with 2017 NEC requirements
- Zero-crossing on both relays for long relay life
- Vandal resistant lens combines precise coverage with durability
- Selectable walk-through mode turns lights off three minutes after the room is initially occupied if no motion is detected after the first 30 seconds
- Test mode allows quick and easy adjustments
- LED indicates occupancy detection
- Selectable audible and/or visual alerts for impending shutoff
- In automatic mode, sensor returns automatically to Auto-ON after lights are turned off manually; ideal for presentations
- Optional light level sensor holds secondary lights off when ambient lighting is above the preset level
- Service mode allows sensor to operate as a service switch in the unlikely event of a failure
- Sensor coverage tested to NEMA Guide Publication WD 7-2000
- Compatible with decorator wall plates

## Compatible with 2 Wire or 3 Wire Connections

Any PW-302 sensor can be used for a two-wire or three wire application, either to work with existing wiring, or to meet local or national code requirements. PW-302 120/240/240/277v model uses a blue and white signal wire to connect to neutral or, in cases of retrofit or replacement when no neutral is present, can be connected to ground. The PW-302 -347 model has a plastic tab that covers neutral screw terminals; once the sensor is connected to neutral it complies with all codes that restrict current leakage to ground.

## Applications

The PW-302 sensor is great for retrofit projects and well suited for small, enclosed spaces with a clear line of sight of the occupant. In addition, its dual relays allow bi-level switching or control of a secondary load. Common applications include small office, small conference room and lunch/break rooms.

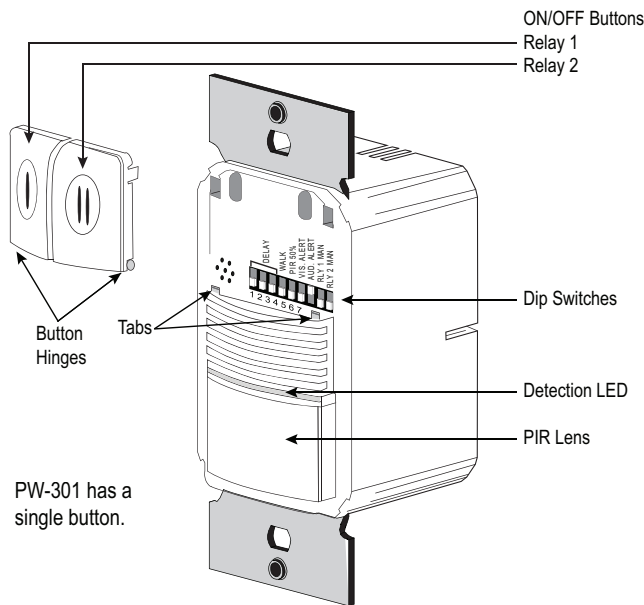
PROJECT		LOCATION/ TYPE	
---------	--	-------------------	--

## Specifications

- PW-302: 120/240/277VAC; 50/60Hz, @ 120VAC – Relay 1: 0-1000W ballast, LED, and tungsten, 1/4 hp  
Relay 2: 0-800W ballast, LED, and tungsten 1/6hp  
@ 240/277VAC, 0-1200W ballast and LED, Relay 1: 1/4 hp, Relay 2: 1/6hp
- PW-302-347: 347VAC; 50/60Hz, 1/4 hp relay 1, 1/6hp relay 2; 0-1200W ballast and LED
- Time delays: 5, 10, 15, 20, 25 or 30 minutes, walk-through, test-mode
- Coverage: Major motion 35' x 30'  
Minor motion 20' x 15'
- Sensitivity adjustment: PIR (high/low)
- Dimensions (L x W x D): 2.73" x 1.75" x 1.81" (69mm x 44mm x 46mm)
- UL and cUL listed
- Five year warranty

## Controls & Settings

### Product Controls

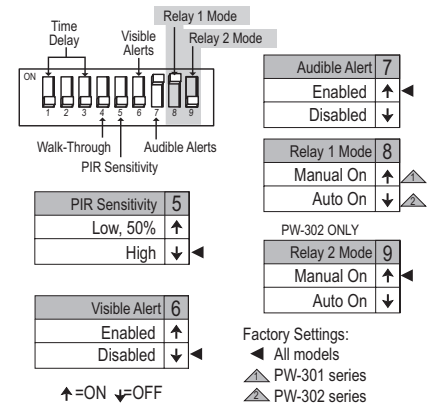


### DIP Switch Settings

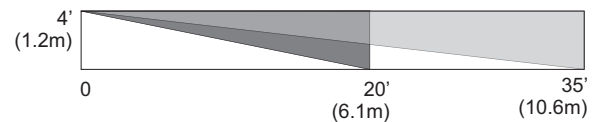
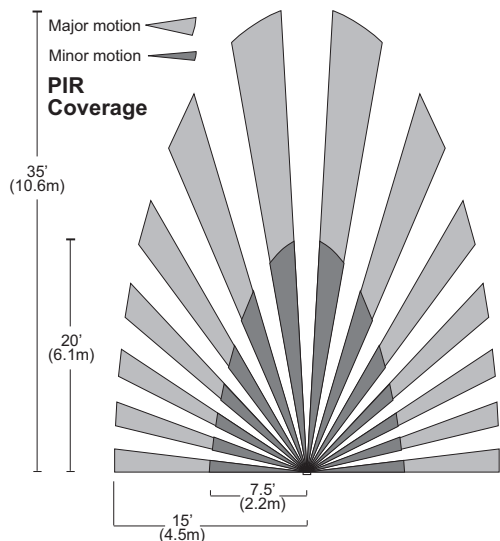
Time Delay	1	2	3
Test/20 min	↓	↓	↓
5 minutes	↓	↓	↓
10 minutes	↓	↑	↓
15 minutes	↓	↑	↑
20 minutes	↑	↓	↓
25 minutes	↑	↑	↓
30 minutes	↑	↑	↑
Service	↑	↑	↑

Walk-Through	4
Enabled	↑
Disabled	↓

Service bypasses occupancy & light level functions. Control the load manually using ON/OFF button.



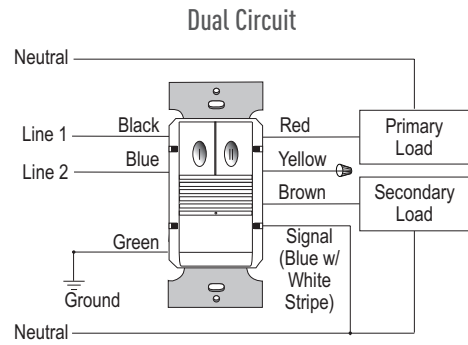
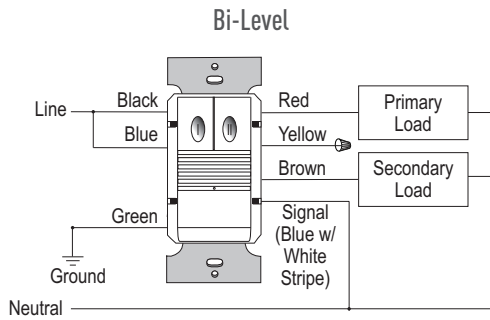
## Coverage



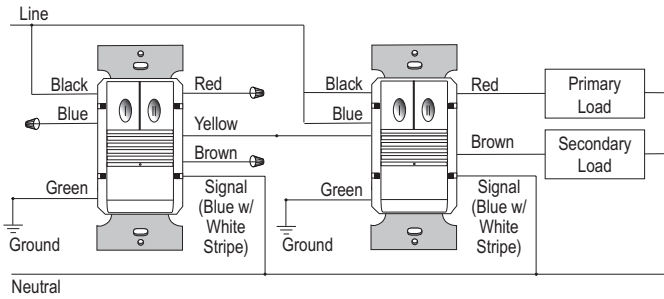
For best performance, Wattstopper recommends using this sensor in spaces no larger than 15' x 12'.

Wiring

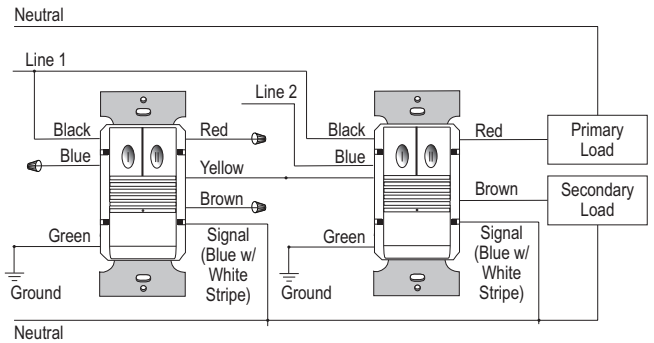
PW-302



Bi-Level Multi-way

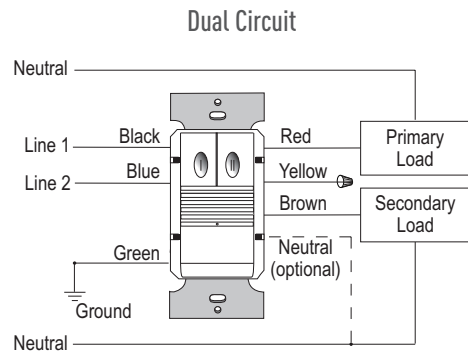
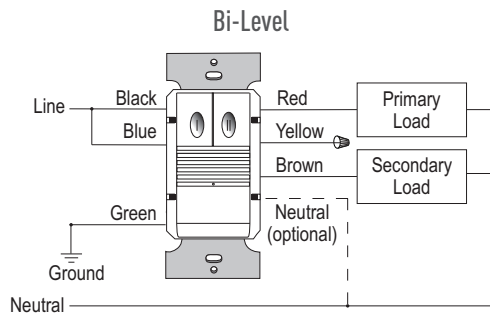


Dual Circuit Multi-way

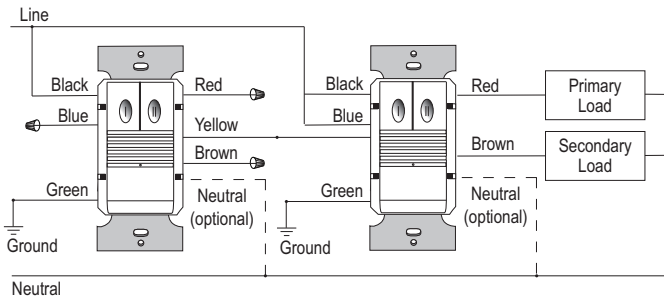


Signal wire connects to neutral. Signal wire can connect to ground in replacement or retrofit application

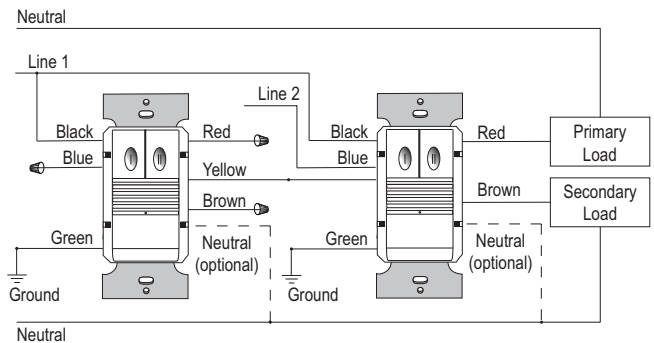
PW-302-347



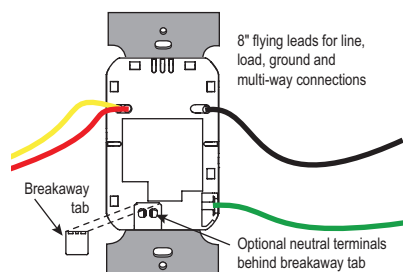
Bi-Level Multi-way



Dual Circuit Multi-way



Simple optional neutral connection allows installation in any 2-wire or 3-wire application. When used in a multi-way application, all devices in that space must be wired using the same method of either with neutral or without neutral.



Note: For multiway, all units should be on the same phase.

## Ordering Information

Catalog #	Color	Voltage	Load Rating
<input type="checkbox"/> PW-302-W	White	120VAC; 50/60Hz or 240/277VAC; 50/60Hz	@ 120VAC, 0-1000W ballast, LED, tungsten, 1/4 hp or @ 240/277VAC 0-1200W ballast, LED, 1/4 hp
<input type="checkbox"/> PW-302-W-U			
<input type="checkbox"/> PW-302-LA	Lt. Almond		
<input type="checkbox"/> PW-302-I	Ivory		
<input type="checkbox"/> PW-302-I-U			
<input type="checkbox"/> PW-302-G	Gray		
<input type="checkbox"/> PW-302-B	Black		
<input type="checkbox"/> PW-302-R	Red		
<input type="checkbox"/> PW-302-347-W	White	347VAC; 50/60H	0-1500W ballast & LED, 1/4 hp
<input type="checkbox"/> PW-302-347-LA	Lt. Almond		
<input type="checkbox"/> PW-302-347-I	Ivory		
<input type="checkbox"/> PW-302-347-G	Gray		
<input type="checkbox"/> PW-302-347-B	Black		
<input type="checkbox"/> PW-302-347-R	Red		

Order wall plate separately.

-U = BAA/TAA-compliant models available.

Product is compliant with Buy American Act and Trade Agreement Act