

LED Designer Deco

5.5ST19/LEDFilament/820/CL-A/DIM 120V

Philips LED Designer Deco lamps allow you to maintain a warm, classic light or a modern, chic effect while providing longer life and energy savings

Product data

| General Information | |
|------------------------|------------------------------------|
| Base | E26 [Single Contact Medium Screw] |
| EU RoHS compliant | Yes |
| Nominal Lifetime (Nom) | 15000 h |
| Switching Cycle | 20000X |
| Technical Type | 5.5-35W |

| Light Technical | |
|---------------------------------------|---------------------|
| Color Code | 820 [CCT of 2000K] |
| Initial lumen (Nom) | 400 lm |
| Color Designation | Warm |
| Correlated Color Temperature (Nom) | 2000 K |
| Luminous Efficacy (rated) (Nom) | 72 lm/W |
| Color Consistency | ANSI |
| Color Rendering Index (Nom) | 80 |
| LLMF At End Of Nominal Lifetime (Nom) | 70 % |

| Operating and Electrical | |
|--------------------------|-------------|
| Input Frequency | 50 or 60 Hz |
| Power (Rated) (Nom) | 5.5 W |
| Lamp Current (Nom) | 60 mA |
| Wattage Equivalent | 40 W |
| Starting Time (Nom) | 0.5 s |

| | |
|---------------------------------|-----------|
| Warm Up Time to 60% Light (Nom) | 0.5 s |
| Power Factor (Nom) | 0.7 |
| Voltage (Nom) | 110-130 V |

| Controls and Dimming | |
|----------------------|-----|
| Dimmable | Yes |

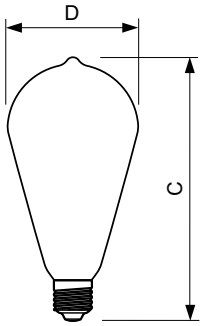
| Mechanical and Housing | |
|------------------------|-------|
| Bulb Finish | Amber |

| Approval and Application | |
|-------------------------------|-------|
| Energy Consumption kWh/1000 h | - kWh |

| Product Data | |
|---------------------------------|---------------------------------------|
| Order product name | 5.5ST19/LEDFilament/820/CL-A/DIM 120V |
| EAN/UPC - Product | 046677461676 |
| Order code | 461673 |
| Numerator - Quantity Per Pack | 1 |
| Numerator - Packs per outer box | 6 |
| Material Nr. (12NC) | 929001210204 |
| Net Weight (Piece) | 0.030 kg |

LED Designer Deco

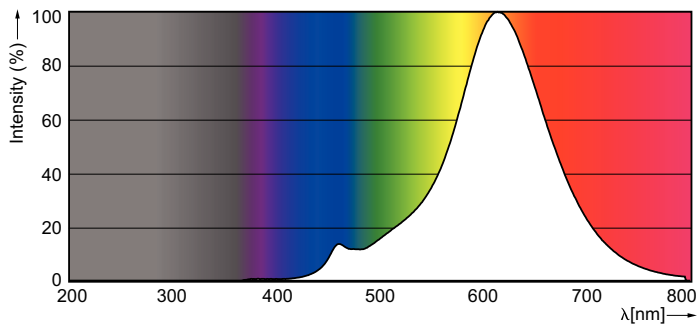
Dimensional drawing



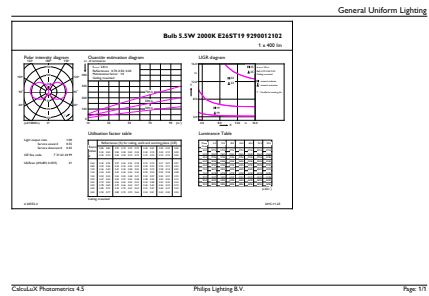
Filament Bulb ST19 5.5W-40W 450lm E26 D

| Product | D | C |
|---------------------------------------|-------|--------|
| 5.5ST19/LEDFilament/820/CL-A/DIM 120V | 64 mm | 137 mm |

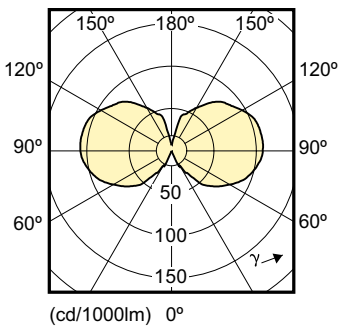
Photometric data



LEDlamps, LEDFilament Amber 2000K



LEDlamps, LEDFilament 5.5-50W ST19 Amber 2000K 400lm



LEDlamps, LEDFilament 5.5-50W ST19 Amber 2000K 400lm

LED Designer Deco

