

## Individual Spec Sheet

# GIMBAL HIGH OUTPUT LED GIMBAL DOWNLIGHT 3.5"

### ORDERING INFORMATION

**Order code:** 67811  
**Model number:** DL/GIMBAL/RND/12W/30K/BK/STD  
**UPC:** 069549678118  
**Case quantity:** 24

### PHYSICAL DATA

**Dimensions in. (mm):** 3.5 (88.9)  
**Shape:** Round  
**Finish:** Black  
**Lens type:** Frosted Polycarbonate

### PERFORMANCE DATA

**Watts (W):** 12  
**Volts (VAC):** 120  
**Colour temperature (K)<sup>1</sup>:** 3 000  
**Lumen output (lm)<sup>2</sup>:** 920  
**Lumen per Watts (lm/W):** 77  
**CRI:** 90+  
**Life L70 (h)<sup>3</sup>:** 50 000  
**Beam angle (°):** 40  
**Environment:** Wet location  
**THD (%):** <20%  
**Power factor:** >0.9  
**Frequency (Hz):** 60  
**Operating temp. range:** - 20 °C / - 4 °F to 45 °C / 113 °F  
**Cable rating:** FT6  
**Dimmable:** Yes

<sup>1</sup> Typical colour temperature range: +/- 5 %

<sup>2</sup> Lumen values are derived from photometric testing. Initial lumens range: +/- 10 %

<sup>3</sup> Life hours are derived from IESNA LM80-08 testing report and projected per IESNA TM-21-11 extrapolations

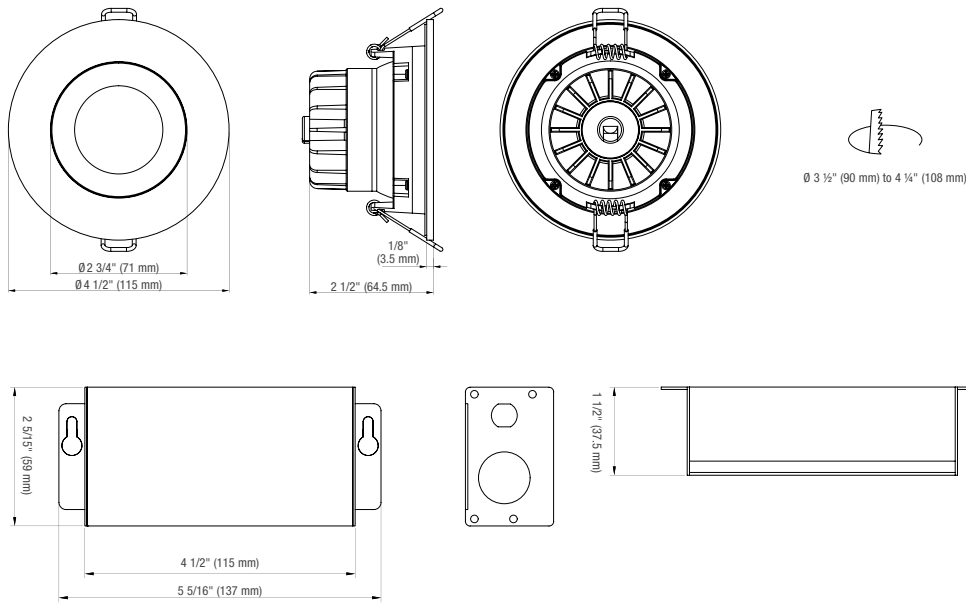
### COMPATIBLE ACCESSORIES (order separately)

Order code	Model number	Type
66049	ACC/MPLATE/3.625IN/SQR/STD	Square mounting plate
66056	ACC/MPLATE/3.625IN/ADJ/STD	Adjustable mounting plate
66142	ACC/3/VAPOR BARRIER/STD	Vapor barrier extender
66820	ACC/MPLATE/3.625IN/HANG.BARS/STD	Mounting plate with hanger bars
66964	LPDL/ACC/6FT/EXTCABLE/FT6/STD	6' FT6 Extension cord



This lighting equipment complies with Canadian standard ICES-005 for use in residential applications.  
 Data is based upon tests performed in a controlled environment.  
 Actual performance can vary depending on operating conditions. Specifications are subject to change without notice.  
 Lumens values from Energy Star reported data

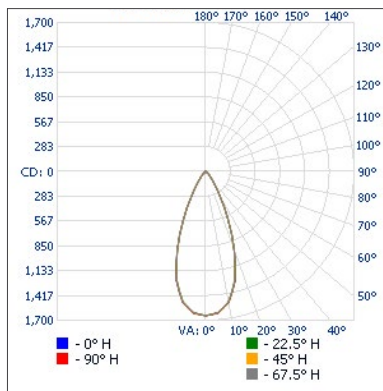
**DIMENSIONS**



**PHOTOMETRIC DATA<sup>1</sup>**

**67811 • DL/GIMBAL/RND/12W/30K/BK/STD • 966.6 lm**

**Polar candela distribution**



**Zonal lumen summary**

Zone	Lumens	% Fixture
0-30	777.5	80.4%
0-40	894.2	92.5%
0-60	955.5	98.9%
60-90	11.1	1.1%
70-100	3.5	0.4%
90-120	0	0%
0-90	966.6	100%
90-180	0	0%
0-180	966.6	100%

**Illuminance at a distance**

Center beam fc	Beam width
1.7'	1.4' 1.4'
3.3'	2.7' 2.6'
5.0'	4.0' 4.0'
6.7'	5.4' 5.4'
8.3'	6.7' 6.7'
10.0'	8.0' 8.0'

Vert. spread: 43.8°  
Horiz. spread: 43.7°

<sup>1</sup> Complete IES files available on our website.

Qty	Description	Price

I accept the specifications of the luminaire configuration mentioned above.

Name: \_\_\_\_\_  
 Company: \_\_\_\_\_  
 Signature: \_\_\_\_\_

Date: \_\_\_\_\_

Data is based upon tests performed in a controlled environment. Actual performance can vary depending on operating conditions. All products are subject to change or may be discontinued any time without notice.