

Individual Spec Sheet

GIMBAL HIGH OUTPUT LED GIMBAL DOWNLIGHT 3.5"

ORDERING INFORMATION

Order code: 67813
Model number: DL/GIMBAL/RND/12W/30-22K/WH/STD
UPC: 069549678132
Case quantity: 24

PHYSICAL DATA

Dimensions in. (mm): 3.5 (88.9)
Shape: Round
Finish: White
Lens type: Frosted Polycarbonate

PERFORMANCE DATA

Watts (W): 12
Volts (VAC): 120
Colour temperature (K)¹: 3 000-2 200
Lumen output (lm)²: 660
Lumen per Watts (lm/W): 55
CRI: 90+
Life L70 (h)³: 50 000
Beam angle (°): 40
Environment: Wet location
THD (%): <20%
Power factor: >0.9
Frequency (Hz): 60
Operating temp. range: - 20 °C / - 4 °F to 45 °C / 113 °F
Cable rating: FT6
Dimmable: Yes

¹ Typical colour temperature range: +/- 5 %

² Lumen values are derived from photometric testing. Initial lumens range: +/- 10 %

³ Life hours are derived from IESNA LM80-08 testing report and projected per IESNA TM-21-11 extrapolations

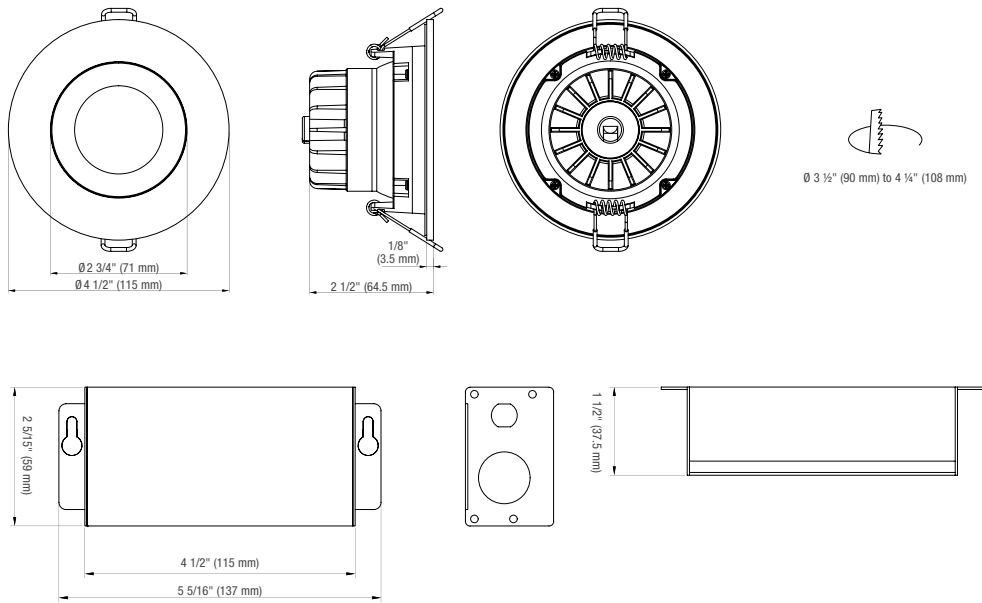
COMPATIBLE ACCESSORIES (order separately)

| Order code | Model number | Type |
|------------|----------------------------------|---------------------------------|
| 66049 | ACC/MPLATE/3.625IN/SQR/STD | Square mounting plate |
| 66056 | ACC/MPLATE/3.625IN/ADJ/STD | Adjustable mounting plate |
| 66142 | ACC/3/VAPOR BARRIER/STD | Vapor barrier extender |
| 66820 | ACC/MPLATE/3.625IN/HANG.BARS/STD | Mounting plate with hanger bars |
| 66964 | LPDL/ACC/6FT/EXTCABLE/FT6/STD | 6' FT6 Extension cord |



This lighting equipment complies with Canadian standard ICES-005 for use in residential applications.
 Data is based upon tests performed in a controlled environment.
 Actual performance can vary depending on operating conditions. Specifications are subject to change without notice.
 Lumens values from Energy Star reported data

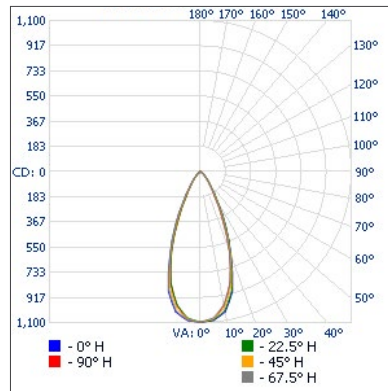
DIMENSIONS



PHOTOMETRIC DATA¹

67813 • DL/GIMBAL/RND/12W/30-22K/WH/STD • 672.9 lm

Polar candela distribution



Zonal lumen summary

| Zone | Lumens | % Fixture |
|--------|--------|-----------|
| 0-30 | 521.2 | 77.4% |
| 0-40 | 608.0 | 90.3% |
| 0-60 | 661.9 | 98.4% |
| 60-90 | 11.1 | 1.6% |
| 70-100 | 3.2 | 0.5% |
| 90-120 | 0 | 0% |
| 0-90 | 672.9 | 100% |
| 90-180 | 0 | 0% |
| 0-180 | 672.9 | 100% |

Illuminance at a distance

| Center beam fc | | Beam width | |
|----------------|------|------------|------|
| 1.7' | 379 | 1.4' | 1.3' |
| 3.3' | 101 | 2.7' | 2.6' |
| 5.0' | 43.8 | 4.1' | 3.9' |
| 6.7' | 24.4 | 5.5' | 5.3' |
| 8.3' | 15.9 | 6.8' | 6.5' |
| 10.0' | 10.9 | 8.2' | 7.9' |

Vert. spread: 44.7°
 Horiz. spread: 42.9°

¹ Complete IES files available on our website.

| Qty | Description | Price |
|-----|-------------|-------|
| | | |

I accept the specifications of the luminaire configuration mentioned above.

Name: _____
 Company: _____
 Signature: _____

Date: _____

Data is based upon tests performed in a controlled environment. Actual performance can vary depending on operating conditions. All products are subject to change or may be discontinued any time without notice.