

Project: \_\_\_\_\_

Type: \_\_\_\_\_

Drawn by: \_\_\_\_\_ Catalogue #: \_\_\_\_\_

Date: \_\_\_\_\_

## Individual Spec Sheet

# LED MOTION SENSOR EDGELIT

## INTEGRATED PIR LED CEILING LUMINAIRE

### 7"

### ORDERING INFORMATION

**Order code:** 68466  
**Model number:** CLEL7/S2/MS/12W/30K/RND/WH  
**UPC:** 069549016491  
**Case quantity:** 20

### PHYSICAL DATA

**Dimensions in. (mm):** 0.87(22) x  $\varnothing$  7.28(185)  
**Shape:** Round  
**Type:** Ceiling  
**Housing Finish:** White  
**Housing material:** Plastic  
**Lens finish:** Frosted  
**Lens material:** PC  
**Mounting:** Surface mount

### PERFORMANCE DATA

**Watts (W):** 12  
**Volts (VAC):** 120  
**Colour temp. (K):<sup>1</sup>** 3000  
**Lumen output (lm):<sup>2</sup>** 840  
**Lumen per Watts (lm/W):<sup>2</sup>** 70  
**CRI:** 80+  
**Life L70 (h):<sup>3</sup>** 50 000  
**Beam angle (°):** 120  
**Frequency (Hz):** 60  
**Operating temp. range:** -30° C -45° C ( -22° F-113° F)  
**Dimmable:** No

<sup>1</sup> Typical colour temperature range: +/- 5 %

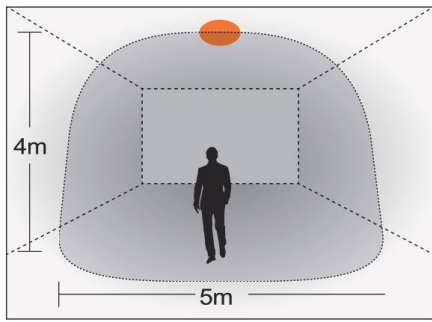
<sup>2</sup> Lumen values are derived from Energy Star.

<sup>3</sup> Life hours are derived from IESNA LM80-08 testing report and projected per IESNA TM-21-11 extrapolations

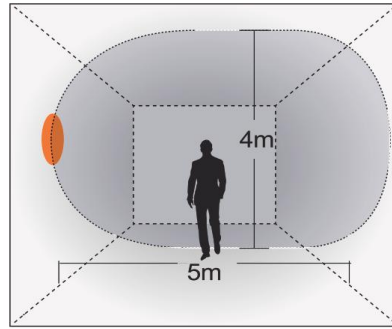


This lighting equipment complies with Canadian standard ICES-005 for use in residential applications.  
Data is based upon tests performed in a controlled environment.  
Actual performance can vary depending on operating conditions. Specifications are subject to change without notice.

**DETECTION PATTERN**

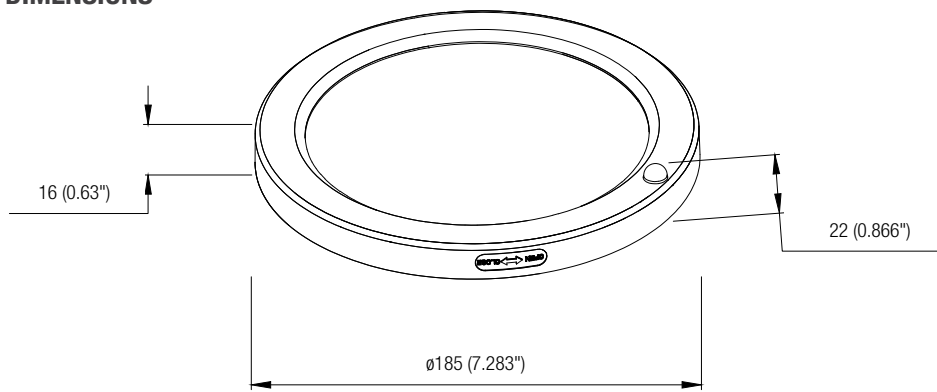


ceiling mounting pattern (m)



wall mounting pattern (m)

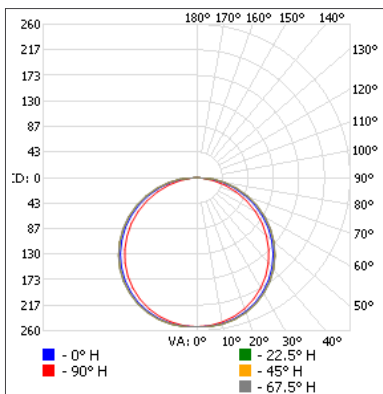
**DIMENSIONS**



**PHOTOMETRIC DATA<sup>1</sup>**

68466 • CLEL7/S2/MS/12W/30K/RND/WH • 816.7 lm

**Polar candela distribution**



**Zonal lumen summary**

Zone	Lumens	% Fixture
0-30	202.4	24.8
0-40	335.9	41.1
0-60	612.0	74.9
60-90	204.7	25.1
70-100	96.4	11.8
90-120	0	0
0-90	816.7	100
90-180	0	0
0-180	816.7	100

**Illuminance at a distance**

Center beam fc	Beam width
1.7'	6.0' 5.3'
3.3'	11.6' 10.4'
5.0'	17.6' 15.7'
6.7'	23.5' 21.1'
8.3'	29.1' 26.1'
10.0'	35.1' 31.4'

■ Vert. spread: 120.7°  
■ Horiz. spread: 115.1°

<sup>1</sup> Complete IES files available on our website.

Qty	Description	Price

I accept the specifications of the luminaire configuration mentioned above.

Name: \_\_\_\_\_  
 Company: \_\_\_\_\_  
 Signature: \_\_\_\_\_

Date: \_\_\_\_\_

Data is based upon tests performed in a controlled environment. Actual performance can vary depending on operating conditions. All products are subject to change or may be discontinued any time without notice.