

ID Switches

2 & 3 Pole, 100 Amp, Type 1 (Indoor)

Features

- Designed for the Canadian construction market
- Suitable for use in a circuit that is rated for 200kA RMS – symmetrical and 600V maximum
- Continuous load 80% of fuse rating except for motor circuits
- CSA Certified under file #13076
- Compact size with integrated handle
- Type 1 enclosure for indoor applications
- Quick make-quick break mechanism
- Padlock-off handle feature
- Door padlock provision
- Fuse puller included
- Use C.S.A certified, H.R.C. fuses. Form I (Class J, R or H) and Form II fuses if the accepted adaptor kits are provided
- Manufactured in Canada for quick delivery and easy access to replacement parts

General information¹

Part number	Max. voltage	Description	Unit weight – lbs (kg)
ID223 ²	240V AC	2 Pole, 3 Wire, Fusible with neutral	17.45 (7.93)
ID323	240V AC	3 Pole, 3 Wire, Fusible	17.22 (7.81)
ID423 ²	240V AC	3 Pole, 4 Wire, Fusible with neutral	17.45 (7.93)
ID363	600V AC	3 Pole, 3 Wire, Fusible	17.22 (7.81)
ID363NF	600V AC	3 Pole, 3 Wire, Non-Fusible	16.58 (7.52)

Maximum horsepower ratings⁴

	1-PH	3-PH
240V AC Max HP ³	15	30
480V AC Max HP ³	—	60
600V AC Max HP ³	40	75

Accessories

RFAK3	Type R fuse kit (Order one per pole)
TFAK23	Type T fuse kit 240V (Order one per pole)
MSSAK116 ⁴	Auxiliary contact kit, 1 NO + 1 NC (30–100A)
MSSAK216 ⁴	Auxiliary contact kit, 2 NO + 2 NC (30–100A)
FP3	Fuse puller (Order one per 3-pole switch)
N100	Neutral kit (Order one per 3-pole switch)
CCSS1	Replacement cover catch kit (20 pieces per kit)
LSK 4	Replacement line shield kit (three pieces per kit)

Lug size data

Amp rating	Lugs/Pole	Wire range; Copper or Aluminium	
		Line and load	Neutral
100	1	Line: #6 - 250 MCM Load: #14 - 1/0 AWG	#14 - 2/0 AWG

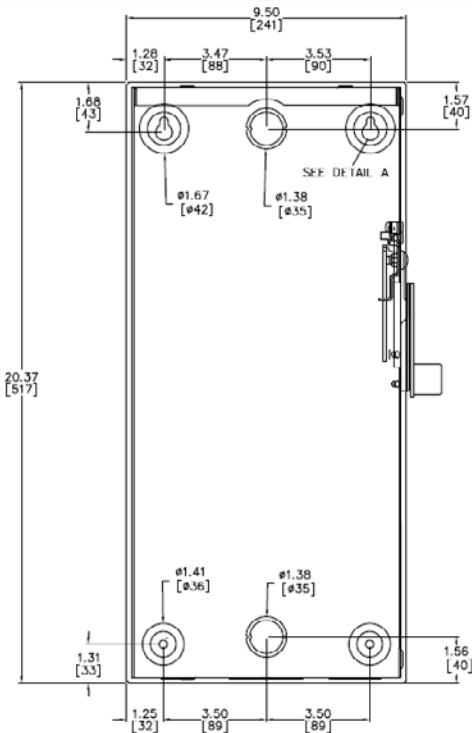
¹ Not suitable for direct current systems

² Suitable for use as service equipment

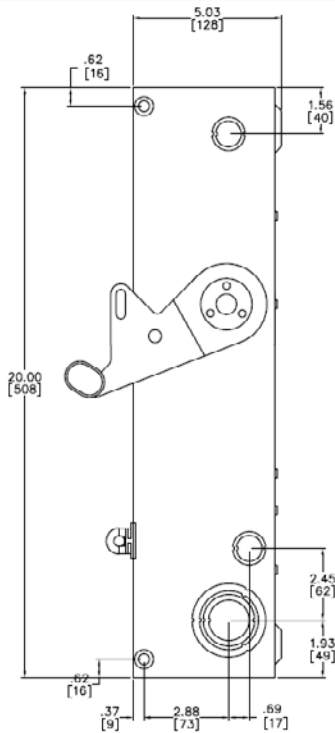
³ At maximum HP rating, time delay type fuses may be required for starting purpose

⁴ Not applicable to switches suitable for use as service equipment

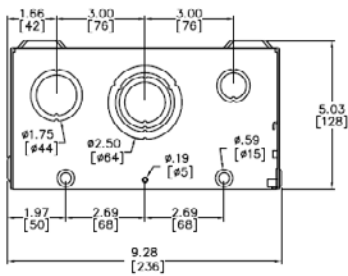
Dimension drawings – units: inches [mm]



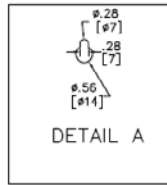
FRONT



SIDE



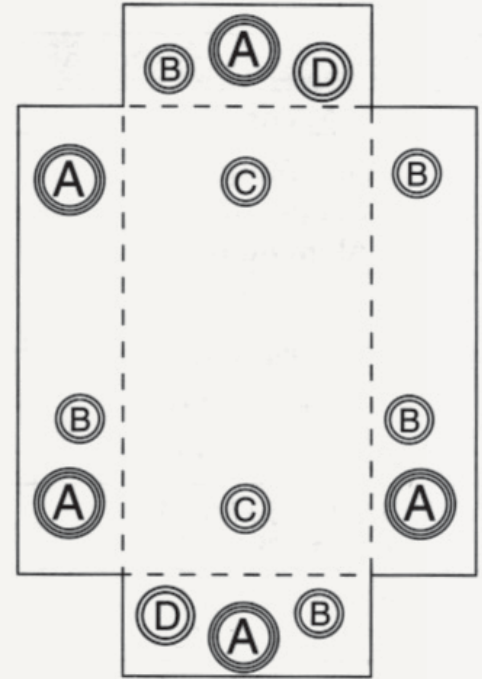
TOP



DETAIL A

Knock-out diagram

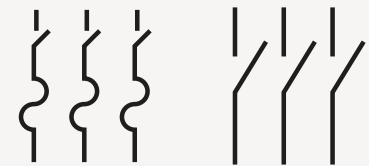
100 Amp Enclosure, Type ID



K.O.'s trade size

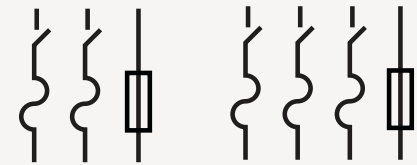
- A = 1", 1 1/4", 1 1/2", 2"
- B = 1/2", 3/4"
- C = 3/4", 1"
- D = 1", 1 1/4"

Wiring diagrams



ID323 / ID363

ID363NF



ID223

ID423

Siemens Canada Limited
Electrical Products
1577 North Service Road East
Oakville, ON L6H0H6

Published by
Siemens Canada Limited 2021
© Siemens Canada Limited, 2021
Order no. SI-EP-1728

Subject to change without prior notice.

Customer Interaction Centre
Tel: 1 (888) 303-3353
cic.ca@siemens.com

The information provided in this flyer contains merely general descriptions or characteristics of performance which in case of actual use do not always apply as described or which may change as a result of further development of the products. An obligation to provide the respective characteristics shall only exist if expressly agreed in the terms of contract.

All product designations may be trademarks or product names of Siemens AG or supplier companies whose use by third parties for their own purposes could violate the rights of the owners.

ID Switches

2 & 3 Pole, 200 Amp, Type 1 (Indoor)

Features

- Designed for the Canadian construction market
- Suitable for use in a circuit that is rated for 200kA RMS – symmetrical and 600V maximum
- Continuous load 80% of fuse rating except for motor circuits
- CSA Certified under file #13076
- Compact size with integrated handle
- Type 1 enclosure for indoor applications
- Quick make-quick break mechanism
- Padlock-off handle feature
- Fuse puller included
- Door padlock provision
- Use C.S.A certified, H.R.C. fuses. Form I (Class J, R or H) and Form II fuses if the accepted adaptor kits are provided
- Manufactured in Canada for quick delivery and easy access to replacement parts

General information¹

Part number	Max. voltage	Description	Unit weight – lbs (kg)
ID224 ²	240V AC	2 Pole, 3 Wire, Fusible with neutral	31.95 (14.52)
ID324	240V AC	3 Pole, 3 Wire, Fusible	31.52 (14.3)
ID424 ²	240V AC	3 Pole, 4 Wire, Fusible with neutral	31.95 (14.52)
ID364	600V AC	3 Pole, 3 Wire, Fusible	31.52 (14.3)
ID364NF	600V AC	3 Pole, 3 Wire, Non-Fusible	29.64 (13.44)

Maximum horsepower ratings⁴

	1-PH	3-PH
240V AC Max HP ³	15	60
480V AC Max HP ³	—	125
600V AC Max HP ³	50	150

Accessories

RFAK4	Type R fuse kit (Order one per pole)
TFAK24	Type T fuse kit 240V (Order one per pole)
TFAK64	Type T fuse kit 600V (Order one per pole)
MSSAK126 ⁴	Auxiliary contact kit, 1 NO + 1 NC (30–100A)
MSSAK226 ⁴	Auxiliary contact kit, 2 NO + 2 NC (30–100A)
FP4	Fuse puller (Order one per 3-pole switch)
N200	Neutral kit (Order one per 3-pole switch)
CCSS1	Replacement cover catch kit (20 pieces per kit)
LSK4	Replacement line shield kit (three pieces per kit)

Lug size data

Amp rating	Lugs/Pole	Wire range; Copper or Aluminium	
		Line and load	Neutral
200	1	#6 - 250 MCM	#6 - 300 MCM

¹ Not suitable for direct current systems

² Suitable for use as service equipment

³ At maximum HP rating, time delay type fuses may be required for starting purpose

⁴ Not applicable to switches suitable for use as service equipment