

Arktite circuit breaking CPS receptacles and CPP plugs

Delayed action
Factory sealed

Cl. I, Div. 1 & 2, Groups C, D
Explosionproof
Wet Locations

2P

Applications:

Arktite® CPS receptacles, angle and straight types, and CPP plugs are used:

- With portable electrically operated devices such as motor generator sets, compressors, conveyors, portable tools, lighting systems and similar equipment
- In locations which are hazardous due to the presence of flammable vapors or gases
- In damp or corrosive locations
- In petroleum refineries, chemical and petrochemical plants and other process industry facilities where similar hazards exist



Figure 1

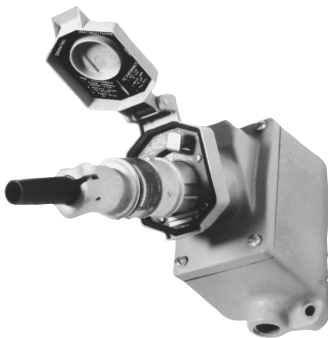


Figure 2



Figure 3

Features:

- The delayed action feature permits the plug to be used as an emergency push-pull switch
- CPS receptacles are equipped with a rotating mechanism which prevents complete withdrawal of the CPP plug in one continuous movement; details of operation are illustrated and explained below:

Figure 1 shows a CPS angle type receptacle assembly with CPP plug fully engaged.

Figure 2 shows the plug withdrawn until it is stopped by the delayed action mechanism. In this position, the circuit has been broken and the arc has been snuffed in the contact chambers. To completely withdraw the plug as shown in **Figure 3**, the delayed action release lever must be rotated counterclockwise. The time required to actuate the mechanism permits dissipation of the arc-generated heat before contacts and arcing chambers are opened to the atmosphere. When inserting the plug, the reverse procedure is followed.

- CPS receptacles are factory sealed to simplify installation and wiring – external seals are not required
- Series 152 receptacles have top hinged cover design, with 45° downward angled receptacle housing, to provide superior environmental protection from accumulations of dust, snow, ice and water
- Back boxes used for angle type receptacles are standard EDS bodies; assemblies are listed with single- and two-gang bodies and dead end or through feed hubs – 1/2" to 1" sizes
- Back boxes used for straight type receptacles are available with a variety of hub arrangements in 1/2" and 3/4" sizes
- All receptacles and 30 ampere plugs are provided with pressure terminals for ease of field wiring; 20 ampere plugs have solder terminals and pressure terminals options

Certifications and compliances:

NEC/CEC:

- Class I, Divisions 1 & 2, Groups C, D

UL standard:

- UL1203

CSA standard:

- C22.2 No. 30^A

Standard materials:

- Receptacle housings – die cast copper-free aluminum
- EDS back boxes – Feraloy iron alloy (U.S.); copper-free aluminum (Canada)
- Other back boxes – Feraloy iron alloy
- Plug exteriors – copper-free aluminum or Krydon fiberglass-reinforced polyester (see listings)
- Insulation (all receptacles and plugs) – Krydon fiberglass-reinforced polyester
- Pressure or solder contacts – brass
- Crimp/solder contacts – leaded red brass

Standard finishes:

- Copper-free aluminum – aluminum acrylic paint
- Feraloy – electrogalvanized and aluminum lacquer
- Fiberglass-reinforced polyester – natural (red, white)
- Brass – natural
- Leaded red brass – electro-tin-plate

Electrical ratings:

- Angle type – 20 and 30 amperes; 125 and 250 VAC
- Straight type – 20 amperes; 125 and 250 VAC

Grounding:

- NEC Article 501 and CEC Part 1, Section 18 requires that metal frames or exposed non-current-carrying metal parts of portable devices used in hazardous locations be grounded through an extra conductor in the portable cord
- CPS receptacles and CPP plugs are provided with an extra grounding pole
- In plugs, provision is made for attachment of the grounding wire to the grounding pole; in addition, direct connection is provided between plug and receptacle housings and the grounding pole; in the receptacle, grounding is accomplished through the conduit system

Interchangeability of plugs with non-hazardous location receptacles:

- 30 ampere CPP plugs can also be used with standard 30 ampere Arktite AR receptacles of the same style and number of poles, thus permitting portable devices suitable for use in hazardous locations to be connected to receptacles in both hazardous and non-hazardous areas

Note: Equipment to be used in hazardous areas must be suitable for use in the specific hazardous location.

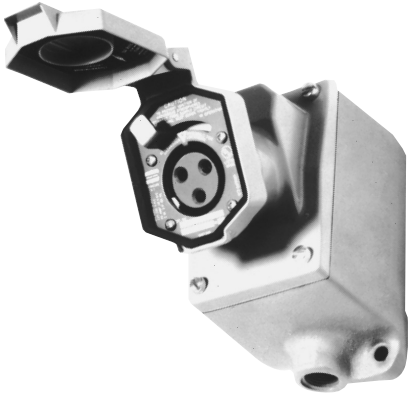
^ANo CSA certification on CPP516M plug.

Arktite circuit breaking CPS receptacles and CPP plugs

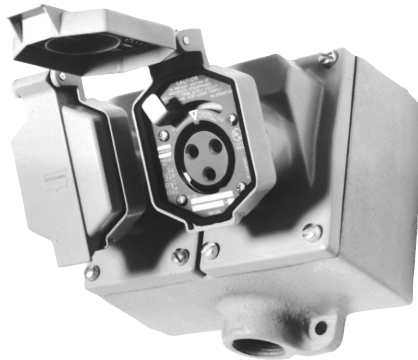
Cl. I, Div. 1 & 2, Groups C, D
Explosionproof
Wet Locations

2P

Delayed action
Factory sealed



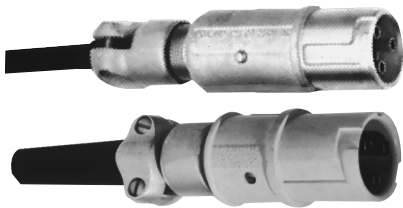
CPS152 – single-gang angle type



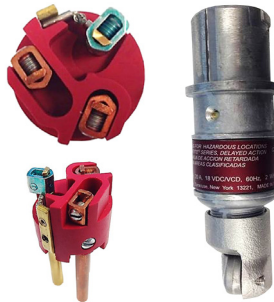
CPS152 – two-gang angle type



CPS152R – receptacle unit only



CPP plugs with mechanical cable grip and neoprene bushing



CPP plug with pressure contacts

Ordering information – Style 2, grounded through extra pole and shell:

Rating	Description	Hub size	Cat. # Single-gang receptacle assembly	Cat. # Two-gang receptacle assembly	Cable dia.	Cat. # Plug with aluminum handles	Cat. # Plug with high impact molded composition handle	Cat. # Receptacle unit only
20A, 1 HP, 125-250 VAC, 60 Hz, 20A, 18 VDC	2-wire, 3-pole	Dead end	1/2" CPS152 101 [Ⓒ]	CPS152 102 [Ⓒ]	0.312 - 0.625" [Ⓓ]	CPP516 [Ⓔ] CPP516M [Ⓕ]	CPP512 [Ⓔ]	CPS152R
			3/4" CPS152 201 [Ⓒ]	CPS152 202 [Ⓒ]				
			1" CPS152 301 [Ⓒ]	CPS152 302 [Ⓒ]				
	Through feed	1/2" CPS152 111 [Ⓒ]	CPS152 112 [Ⓒ]					
		3/4" CPS152 211 [Ⓒ]	CPS152 212 [Ⓒ]					
		1" CPS152 311 [Ⓒ]	CPS152 312 [Ⓒ]					
30A, 1 1/2 HP, 125-250 VAC, 60 Hz, 7A, 1/2 HP, 480VAC [Ⓔ] , 60 Hz	2-wire, 3-pole	Dead end	1/2" CPS532 101	CPS532 102	0.375 - 0.875" [Ⓓ]	CPP4553		CPS532R
			3/4" CPS532 201	CPS532 202				
			1" CPS532 301	CPS532 302				
	Through feed	1/2" CPS532 111	CPS532 112					
		3/4" CPS532 211	CPS532 212					
		1" CPS532 311	CPS532 312					
30A, 3 HP, 125-250 VAC, 60 Hz, 7A, 1 HP, 480VAC [Ⓔ] , 60 Hz	3-wire, 4-pole	Dead end	1/2" CPS732 101	CPS732 102	0.375 - 0.875" [Ⓓ]	CPP4752		CPS732R
			3/4" CPS732 201	CPS732 202				
			1" CPS732 301	CPS732 302				
	Through feed	1/2" CPS732 111	CPS732 112					
		3/4" CPS732 211	CPS732 212					
		1" CPS732 311	CPS732 312					

[Ⓔ] CSA certified units are rated at 600 VAC at 7A. CPP516M is not CSA certified.

[Ⓒ] Back boxes are available in copper-free aluminum. To order, add suffix 'SA' to end of catalog number.

[Ⓓ] Receptacles will take any of the plugs grouped in the bracket opposite the receptacle listings.

[Ⓔ] 20A plugs are furnished with solder terminations at standard; ground contacts have pressure terminations.

[Ⓕ] CPP516M 20A plug is furnished with pressure terminations at standard.

Arktite circuit breaking CPS receptacles and CPP plugs

Delayed action
Factory sealed

Cl. I, Div. 1 & 2, Groups C, D
Explosionproof
Wet Locations

2P

Ordering information – CPS straight type:

2-wire, 3-pole
20A, 1 HP, 125-250 VAC, 60-400 Hz; 20A, 18 VDC

CPS dead end



Hub size	Cat. # Assembly	Cat. # Body
1/2"	CPS14 120	CPS120
3/4"	CPS14 20	CPS20

CPS through feed



Hub size	Cat. # Assembly	Cat. # Body
1/2"	CPS14 121	CPS121
3/4"	CPS14 21	CPS21



CPS straight type shown with plug

CPS receptacle unit

With spring door



Cat. #
CPS14R

CPP plugs

With mechanical cable grip
and neoprene bushing



With aluminum handle



With high impact molded composition
handle

Cable dia.	Cat. # Aluminum	Cat. # Composition
0.312 - 0.625"	CPP516 CPP516M [Ⓞ]	CPP512

Ⓞ CPP516M 20A plug is furnished with pressure terminations at standard.