

# Condulet FS and FD single-gang device boxes – cast iron or aluminum

See pages 39-47 for accessories

With and without mounting lugs for threaded rigid and IMC conduit

## Applications:

Cast device boxes are installed to:

- Accommodate wiring devices
- Act as pull boxes for conductors in a conduit system
- Provide openings to make splices and taps in conductors
- Provide access to conductors for maintenance and future system changes
- Connect conduit sections
- FSY boxes for mounting surface devices on floor or bench (used with single gang covers)

## Features:

- Internal green ground screw standard on boxes
- Suitable for use in wet locations when used with gasketed covers
- Mounting lugs standard on most boxes
- Tapered threaded hubs (NPT) with integral bushing
- Available for surface mounting (with mounting lugs) or flush mounting (without mounting lugs) as listed
- Available as shallow (FS) or deep (FD) configuration; use FD if device to be enclosed exceeds 1 5/8" in depth
- Ample wiring room provided in either FS or FD configuration
- Wide selection of surface or flush covers available in three materials (sheet steel, Feraloy, aluminum)
- Covers for flush mounting extend to conceal the rough plaster line
- Available in single gang and multi-gang configurations with hubs, and as blank bodies for drilled and tapped openings

## Certifications and compliances:

- UL standard: 514A
- ANSI standard: C33.84
- Fed. Spec.: W-C-5860
- CSA standard: C22.2 No. 18

## Standard materials:

- Feraloy iron alloy or copper-free aluminum

## Standard finishes:

- Feraloy – electrogalvanized and aluminum acrylic paint
- Aluminum – natural

## Options:

| Description  | Suffix      |
|--|-------------|
| • Corro-free epoxy powder coat, external.....              | <b>S752</b> |
| • Corro-free epoxy powder coat, internal and external..... | <b>S753</b> |
| • Hot dip galvanized .....                                 | <b>HDG</b>  |

## Size ranges:

- Hubs – 1/2" to 1"

## Ordering information:

### FS/FD<sup>ⓐ</sup>



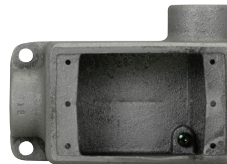
| Hub size | Cat. #                 | Cat. #                 |
|----------|------------------------|------------------------|
| 1/2"     | <b>FS1<sup>ⓐ</sup></b> | <b>FD1<sup>ⓐ</sup></b> |
| 3/4"     | <b>FS2<sup>ⓐ</sup></b> | <b>FD2<sup>ⓐ</sup></b> |
| 1"       | <b>FS3<sup>ⓐ</sup></b> | <b>FD3<sup>ⓐ</sup></b> |

### FSL/FDL



| Hub size | Cat. #      | Cat. #      |
|----------|-------------|-------------|
| 1/2"     | <b>FSL1</b> | <b>FDL1</b> |
| 3/4"     | <b>FSL2</b> | <b>FDL2</b> |

### FSR/FDR



| Hub size | Cat. #      | Cat. #      |
|----------|-------------|-------------|
| 1/2"     | <b>FSR1</b> | <b>FDR1</b> |
| 3/4"     | <b>FSR2</b> | <b>FDR2</b> |

### Die cast aluminum<sup>ⓐ</sup>



| Hub size | Cat. #        | Cat. #         |
|----------|---------------|----------------|
| 1/2"     | <b>FS1 SA</b> | <b>FSC1 SA</b> |
| 3/4"     | <b>FS2 SA</b> | <b>FSC2 SA</b> |

### FSC/FDC<sup>ⓐ</sup>



| Hub size | Cat. #                  | Cat. #                  |
|----------|-------------------------|-------------------------|
| 1/2"     | <b>FSC1<sup>ⓐ</sup></b> | <b>FDC1<sup>ⓐ</sup></b> |
| 3/4"     | <b>FSC2<sup>ⓐ</sup></b> | <b>FDC2<sup>ⓐ</sup></b> |
| 1"       | <b>FSC3<sup>ⓐ</sup></b> | <b>FDC3<sup>ⓐ</sup></b> |

<sup>ⓐ</sup> Available in sand cast copper-free aluminum. To order, add suffix 'SCA' to end of catalog number.

<sup>ⓑ</sup> Available in copper-free aluminum. To order, add suffix 'SA' to end of catalog number.

<sup>ⓒ</sup> Compatible with select hinged and open front control station covers in Section 4C.

<sup>ⓓ</sup> Mounting lugs and ground screw are not offered with standard die cast aluminum box. For sand cast aluminum box with mounting lugs and ground screw, change 'SA' in catalog number to 'SCA.' For example: FS1 SCA.

# Condulet FS and FD single-gang device boxes – cast iron or aluminum

With and without mounting lugs for threaded rigid and IMC conduit

See pages 39-47 for accessories

## Ordering information (continued):

### FSA/FDA<sup>ⓔ</sup>



| Hub size | Cat. # | Cat. # |
|----------|--------|--------|
| 1/2"     | FSA1   | FDA1   |
| 3/4"     | FSA2   | FDA2   |

### FSSA<sup>ⓔ</sup>



| Hub size | Cat. # |
|----------|--------|
| 3/4"     | FSSA2  |

### FSLA/FDLA<sup>ⓔ</sup>



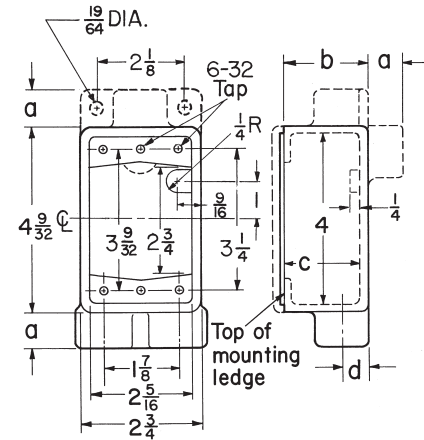
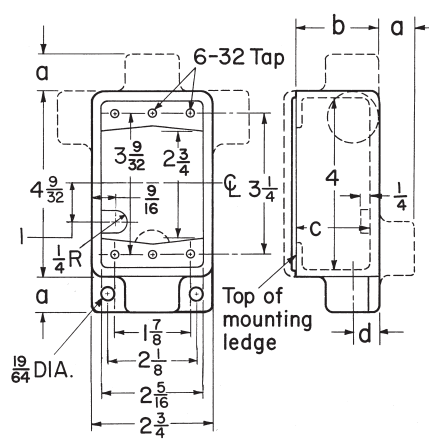
| Hub size | Cat. # | Cat. # |
|----------|--------|--------|
| 1/2"     | FSLA1  | FDLA1  |
| 3/4"     | FSLA2  | FDLA2  |

### FSS/FDD<sup>ⓔ</sup>



| Hub size | Cat. #            | Cat. #            |
|----------|-------------------|-------------------|
| 1/2"     | FSS1 <sup>ⓔ</sup> | FDD1              |
| 3/4"     | FSS2 <sup>ⓔ</sup> | FDD2 <sup>ⓔ</sup> |
| 1"       | FSS3              | FDD3              |

## Dimensions (in inches):



### FSCC/FDCC



| Hub size | Cat. # | Cat. # |
|----------|--------|--------|
| 1/2"     | FSCC1  | FDCC1  |
| 3/4"     | FSCC2  | FDCC2  |

### FSCA<sup>ⓔ</sup>



| Hub size | Cat. # |
|----------|--------|
| 1/2"     | FSCA1  |
| 3/4"     | FSCA2  |

| Series | Hub size | a   | b       | c       | d   |
|--------|----------|-----|---------|---------|-----|
| FS     | 1/2"     | 7/8 | 1 1/8   | 1 11/16 | 5/8 |
|        | 3/4"     | 7/8 | 1 1/8   | 1 11/16 | 3/4 |
|        | 1"       | 1   | 1 1/8   | 1 11/16 | 7/8 |
| FD     | 1/2"     | 7/8 | 2 11/16 | 2 1/2   | 5/8 |
|        | 3/4"     | 7/8 | 2 11/16 | 2 1/2   | 3/4 |
|        | 1"       | 1   | 2 11/16 | 2 1/2   | 7/8 |

<sup>ⓔ</sup> Mounting lugs not available.

<sup>ⓕ</sup> Back entry hub is threaded.

<sup>ⓖ</sup> Available in copper-free aluminum. To order, add suffix 'SA' to end of catalog number.

# Condulet FS and FD single-gang device boxes – cast iron or aluminum

See pages 39-47 for accessories

2F  
2F

With and without mounting lugs for threaded rigid and IMC conduit

## Ordering information (continued):

### FSCT/FDCT



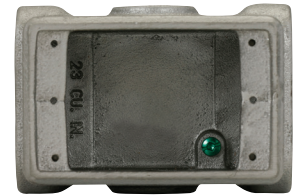
| Hub size | Cat. #             | Cat. #             |
|----------|--------------------|--------------------|
| 1/2"     | FSCT1              | FDCT1              |
| 3/4"     | FSCT2 <sup>H</sup> | FDCT2 <sup>H</sup> |
| 1"       | FSCT3              | FDCT3              |

### FSY



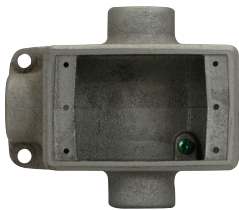
| Description | Hub size | Cat. # |
|-------------|----------|--------|
| Single face | 1"       | FSY311 |
| Double face | 1"       | FSY312 |

### FDXC



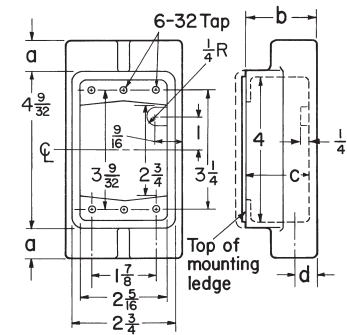
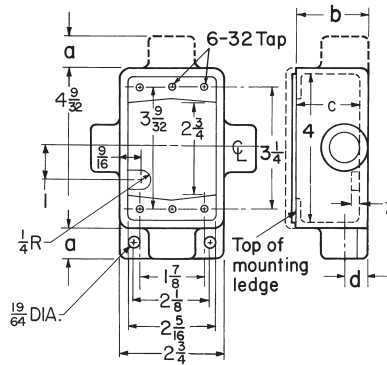
| Hub size | Cat. #  |
|----------|---------|
| 3/4"     | FDXC219 |

### FST/FDT



| Hub size | Cat. #            | Cat. # |
|----------|-------------------|--------|
| 1/2"     | FST1              | FDT1   |
| 3/4"     | FST2 <sup>H</sup> | FDT2   |
| 1"       | FST3              | FDT3   |

## Dimensions (in inches):

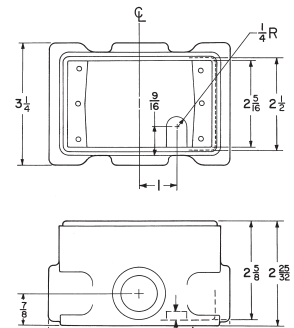
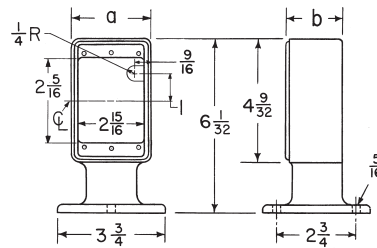


### FSX/FDX



| Hub size | Cat. # | Cat. # |
|----------|--------|--------|
| 1/2"     | FSX1   | FDX1   |
| 3/4"     | FSX2   | FDX2   |
| 1"       | FSX3   | FDX3   |

### FSCT, FSX, FST, FSCD



### FSCD



| Hub size | Cat. # |
|----------|--------|
| 1/2"     | FSCD1  |
| 3/4"     | FSCD2  |

FSY

FDXC

## FSCT, FSX, FST, FSCD

| Series | Hub size | a   | b     | c       | d   |
|--------|----------|-----|-------|---------|-----|
| FS     | 1/2"     | 7/8 | 1 1/8 | 1 11/16 | 5/8 |
|        | 3/4"     | 7/8 | 1 1/8 | 1 11/16 | 3/4 |
|        | 1"       | 1   | 1 1/8 | 1 11/16 | 7/8 |

## FSY

| Description              | Hub size | a     | b       |
|--------------------------|----------|-------|---------|
| Single-gang, single face | 1"       | 2 3/4 | 1 15/16 |
| Single-gang, double face | 1"       | 2 3/4 | 3 7/8   |

<sup>H</sup> Available in copper-free aluminum. To order, add suffix 'SA' to end of catalog number.

<sup>1</sup> Not available with mounting lugs.

<sup>2</sup> Six hubs – all 3/4" pipe tap.