

# Condulet® Conduit Outlet Boxes With Covers

## GUA Series

Cl. I, Div. 1 & 2, Groups B\*, C, D Explosionproof  
 Cl. II, Div. 1, Groups E, F, G Dust-Ignitionproof  
 Cl. II, Div. 2, Groups F, G Raintight  
 Cl. III Wet Locations  
 NEMA 3, 4, 7CD, 9EFG

3F

### Applications:

- GUA series conduit outlet boxes are installed within hazardous area conduit systems to:
- Protect conductors in threaded rigid conduit
  - Act as pull and splice boxes
  - Connect lengths of conduit
  - Change conduit direction
  - Provide access to conductors for maintenance and future system changes
  - Act as mounting outlets for fixtures (with appropriate covers)
  - Act as sealing fittings (with appropriate covers)

### Features:

- GUA conduit boxes have:
- Neoprene "O" ring standard to meet NEMA 4 requirements
  - Cast ears on cover to permit easy removal and tightening
  - Internal green ground screw
  - Four standard mounting pads except for boxes with bottom hubs
  - Threaded cover openings
  - Ten different hub arrangements
  - Taper threaded hubs to provide grounding continuity
  - Smooth integral hub bushing protects conductor insulation when pulling
  - Surface covers furnished with boxes
  - Sealing covers, dome covers, and fixture hanger covers are available
  - Cover threads are 12 pitch standard, 16 pitch on select aluminum shapes and sizes

### Certifications and Compliances:

- NEC/CEC:
  - Class I, Division 1 & 2, Groups B\*, C, D
  - Class II, Division 1, Groups E, F, G
  - Class II, Division 2, Groups F, G
  - Class III
- UL Standard: 1203
- ANSI Standard: C33.27
- CSA Standard: C22.2 No. 30
- NEMA/EEMAC 3, 4

### Standard Materials:

- Bodies – *Feraloy* iron alloy
- Covers – Copper-free aluminum

### Standard Finishes:

- *Feraloy* iron alloy – electrogalvanized and aluminum acrylic paint
- Aluminum – natural

### Size Ranges:

- Hub – 1/2" to 2"
- Cover opening – 2" to 5" dia.

### Options:

- | Description   | Suffix    |
|---|-----------|
| • Bodies – copper-free aluminum   | SA†       |
| • Covers – <i>Feraloy</i> iron alloy – electrogalvanized and aluminum acrylic paint                       | WOD       |
| • GUA Form 6 (with 3" cover opening) are available with optional cover with viewing window                | VW        |
| • <i>Corro-free</i> ™ epoxy powder coat   | S752      |
| • To order box less cover, add "O" to end of catalog number (i.e. GUAT260)                                |           |
| • Factory installed terminal blocks mounted to DIN Rail (see page 53 for ordering information)            | DIN12-112 |
| • Factory installed terminal blocks directly mounted to outlet box (see page 53 for ordering information) | TB14-112  |

When assembled with sealing type cover, GUA series outlet boxes provide adequate sealing for 40% fill in hazardous areas – Class I, Groups C, D; Class II, Groups E, F, G; and Class III. Seals can be made in either horizontal or vertical positions. Use *Chico*® "A" sealing compound or *Chico*® SpeedSeal only. Conductor splices or connections must not be made in enclosures where sealing compound is to be used per NEC.

### GUA



Hub Size	Cover Opening Dia.	Cat. #
1/2	2	GUA14
3/4	2	GUA24
1/2	3	GUA16
3/4	3	GUA26†*
1	3	GUA36
1 1/4	3 5/8	GUA47
1 1/2	5	GUA59

### GUAC



Hub Size	Cover Opening Dia.	Cat. #
1/2	2	GUAC14†
3/4	2	GUAC24†
1/2	3	GUAC16†*
3/4	3	GUAC26†*
1	3	GUAC36†*
1 1/4	3 5/8	GUAC47†
1 1/4	5	GUAC49†*
1 1/2	5	GUAC59†*
2	5	GUAC69†*

†Available in copper-free aluminum, add suffix -SA.  
 \*When ordered with suffix -SA are listed for Class I, Division 1 & 2, Groups B, C and D, Class II, Division 1, Groups E, F, G and Class III. Covers have 16 pitch threads. Replacement cover is a GUA06-GB.

### GUAB



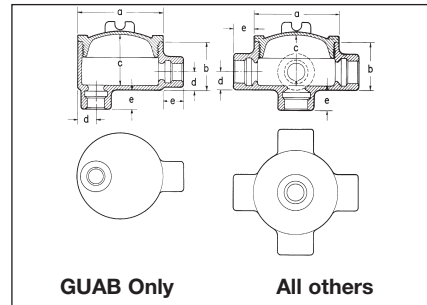
Hub Size	Cover Opening Dia.	Cat. #
1/2	2	GUAB14†
3/4	2	GUAB24
1/2	3	GUAB16†*
3/4	3	GUAB26†*
1	3	GUAB36†*
1 1/4	3 5/8	GUAB47†
1 1/2	5	GUAB59†*
2	5	GUAB69†*

### GUAD



Hub Size	Cover Opening Dia.	Cat. #
1/2	2	GUAD14
3/4	2	GUAD24
1/2	3	GUAD16
3/4	3	GUAD26†
1	3	GUAD36†
1 1/4	5	GUAD49

### Dimensions In Inches:



### GUA, GUAD, GUAM, GUAW, GUAX

Cat. #	a	b	c	d
14	2 1/2	1 13/16	1 3/4	5/8
24	2 1/2	2	2	3/4
16	3 1/2	2	1 7/8	5/8
26	3 1/2	2	1 7/8	3/4
36	3 1/2	2 5/16	2 3/16	7/8
37	4 1/4	2 5/16	2 3/8	7/8
47	4 1/4	2 11/16	2 3/4	1 3/32
49	5 3/4	3 13/16	3 3/4	1 3/32
59	5 3/4	3 13/16	3 3/4	1 9/32
69	5 3/4	4 1/16	4	1 9/16

Length of Hub	Dimension "e" Length
1/2 - 3/4	7/8
1 - 1 1/4	1
1 1/2 - 2	1 1/16

# Condulet® Conduit Outlet Boxes With Covers

## GUA Series

Cl. I, Div. 1 & 2, Groups B\*, C, D  
 Cl. II, Div. 1, Groups E, F, G  
 Cl. II, Div. 2, Groups F, G  
 Cl. III  
 NEMA 3, 4, 7CD, 9EFG

Explosionproof  
 Dust-Ignitionproof  
 Raintight  
 Wet Locations

**3F**

**3F**

### GUAL



Hub Size	Cover Opening Dia.	Cat. #
1/2	2	GUAL14†
3/4	2	GUAL24†
1/2	3	GUAL16†*
3/4	3	GUAL26†*
1	3	GUAL36†*
1 1/4	3 5/8	GUAL47†
1 1/4	5	GUAL49†*
1 1/2	5	GUAL59†*
2	5	GUAL69†*

### GUAN



Hub Size	Cover Opening Dia.	Cat. #
1/2	2	GUAN14
3/4	2	GUAN24
1/2	3	GUAN16
3/4	3	GUAN26
1	3	GUAN36
1 1/4	3 5/8	GUAN47
1 1/2	5	GUAN59
2	5	GUAN69

### GUAT



Hub Size	Cover Opening Dia.	Cat. #
1/2	2	GUAT14†
3/4	2	GUAT24†
1/2	3	GUAT16†*
3/4	3	GUAT26†*
1	3	GUAT36†*
1	3 5/8	GUAT37
1 1/4	3 5/8	GUAT47†
1 1/4	5	GUAT49†*
1 1/2	5	GUAT59†*
2	5	GUAT69†*

### GUAX



Hub Size	Cover Opening Dia.	Cat. #
1/2	2	GUAX14
3/4	2	GUAX24
1/2	3	GUAX16†*
3/4	3	GUAX26†*
1	3	GUAX36†*
1	3 5/8	GUAX37†
1 1/4	3 5/8	GUAX47†
1 1/4	5	GUAX49†*
1 1/2	5	GUAX59†*
2	5	GUAX69†*

### GUAM



Hub Size	Cover Opening Dia.	Cat. #
1/2	2	GUAM14
3/4	2	GUAM24
1/2	3	GUAM16
3/4	3	GUAM26
1	3	GUAM36
1 1/4	3 5/8	GUAM47
2	5	GUAM69

### GUAW



Hub Size	Cover Opening Dia.	Cat. #
1/2	2	GUAW14
3/4	2	GUAW24†
1/2	3	GUAW16
3/4	3	GUAW26†*

### Dimensions GUAC, GUAT

Cat. #	a	b	c	d
14	2 1/2	2 1/4	2 5/16	5/8
24	2 1/2	2	2	3/4
16	3 1/2	2	1 7/8	5/8
26	3 1/2	2	1 7/8	3/4
36	3 1/2	2 5/16	2 5/16	7/8
37	4 1/4	2 5/16	2 5/8	7/8
47	4 1/4	2 11/16	2 3/4	1 3/32
49	5 3/4	3 13/16	3 3/4	1 5/32
59	5 3/4	3 13/16	3 3/4	1 9/32
69	5 3/4	4 1/16	4	1 9/16

### GUAN

Cat. #	a	b	c	d
14	2 1/2	2 7/8	2 1/16	5/8
24	2 1/2	2 5/16	2 1/4	3/4
16	3 1/2	2	1 7/8	3/4
26	3 1/2	2	1 7/8	3/4
36	3 1/2	2 5/16	2 3/8	7/8
47	4 1/4	2 11/16	2 3/4	1 3/32
59	5 3/4	4 1/16	4	1 9/32
69	5 3/4	4 1/16	4	1 9/16

### GUAB, GUAL

Cat. #	a	b	c	d
14	2 1/2	2 1/4	2 3/16	5/8
24	2 1/2	2 1/2	2 7/16	3/4
16	3 1/2	2	1 7/8	5/8
26	3 1/2	2	1 7/8	3/4
36	3 1/2	2 5/16	2 3/16	7/8
47	4 1/4	2 11/16	2 3/4	1 3/32
49	5 3/4	3 13/16	3 3/4	1 5/32
59	5 3/4	3 13/16	3 3/4	1 9/32
69	5 3/4	4 1/16	4	1 9/16

†Available in copper-free aluminum, add suffix -SA.

\*When ordered with suffix -SA are listed for Class I, Division 1 & 2, Groups B, C and D, Class II, Division 1, Groups E, F, G and Class III. Covers have 16 pitch threads. Replacement cover is a GUA06-GB.

For GUA Condulet® Conduit Outlet Boxes

**Applications:**

Threaded covers, canopies and extensions are used:

- To provide a seal in hazardous areas (sealing cover). See note below.
- To mount pendant lighting fixtures such as EVA listed in lighting section (fixture canopy)
- To mount EVA pendant lighting fixtures on cover which is then screwed into outlet box without twisting conductors (union hub cover)
- To mount pendant lighting fixtures on cover which is then screwed into outlet box as above, for wiring after fixture stem is installed (nipple cover)
- To provide means of increasing outlet box depth (threaded extension)

**Features:**

- Surface covers are supplied with GUA boxes
- Sealing cover has removable plug for filling enclosure with sealing compound after installation. Sealing cover meets 40% fill requirement of the NEC®. See note below.
- Fixture canopy has a threaded cover in its side to provide access for making splices or taps. Fixture with its conduit stem and canopy can be assembled and wired before installation and conductors can be spliced in canopy after it has been screwed into the body
- Cover threads are 12 pitch.

**Standard Materials:**

- Surface and dome covers, union hub covers, nipple covers – copper-free aluminum
- Sealing covers, fixture canopies, threaded extensions – *Feraloy*® iron alloy

**Standard Finishes:**

- Aluminum – natural
- *Feraloy* iron alloy – electrogalvanized and aluminum acrylic paint

**Options:**

Description	Suffix
Corro-free™ epoxy powder coat	S752
To order an iron surface cover	WOD

**Size Ranges:**

- Fixture stems – ¾"
- Body openings – 2" to 5"

**Note:** Depth of sealing compound in body must satisfy requirements of NEC section 501.15(C)(3). Splices and taps in sealing fittings are prohibited by NEC.

**GUA Threaded Extension**



Cover Opening Dia.	Ext. Depth	Cat. #
3	1¼	GUA0631

GUA Cover Opening	Replacement O-Ring Gasket Cat. #
2"	GASK1713
3"	GASK1151
3⅝"	GASK1589
5"	GASK925

**Surface Cover**



Cover Opening Dia.	Thread Pitch	Cat. #
2	12	GUA04
3	12	GUA06
3	16	GUA06 GB*
3⅝	12	GUA07
5	12	GUA09
5	16	GUA09 GB*

**Dome Cover**



Cover Opening Dia.	Ext. Depth	Thread Pitch	Cat. #
2	2	12	GUA047
3	2	12	GUA067
3⅝	2	12	GUA077
3⅝	4	12	GUA0716
5	4	12	GUA514
5	10	12	GUA5110

**Sealing Cover**



Cover Opening Dia.	Thread Pitch	Cat. #
2	12	GUA041
3	12	GUA062
3	16	GUA062 GB*
3⅝	12	GUA072
5	12	GUA092

**Nipple Cover**



Cover Opening Dia.	Fixt. Stem Size	Thread Pitch	Cat. #
3	¾	12	GUA0672

**Fixture Cover Union Hub Type**



Cover Opening Dia.	Fixt. Stem Size	Thread Pitch	Cat. #
3	¾	12	GUA0687

**Fixture Canopy**



Cover Opening Dia.	Fixt. Stem Size	Thread Pitch	Cat. #
3	¾	12	GUA068

†Also used with GUP bodies see page 753 or GU and GUE bodies see page 722.  
\*GUA covers with suffix "GB" are used with Group B rated GUA aluminum bodies identified with symbols † on pages 50-51.