

Electrical

Electrical supply: 208 V AC, 3 phase 60 Hz
 Rated power: 1600 W
 Motor type: Dyson digital motor. Switched reluctance brushless
 Motor speed: 88,000 rpm
 Heater type: None
 Standby power consumption: 1 W
 Energy consumption per dry: 0.0044 kWh

Construction

Die-cast aluminum casing with anti-microbial scuff resistant lacquer coating on exterior surfaces
 Color finish: Metallic silver, gloss lacquer
 Anti-microbially integrated external plastics, seals and air ducts
 Pressed anti-rust steel back plate / mounting bracket
 Tamper-proof T30 type exterior screws
 Water ingress protection to IPX5

Filtration

HEPA filter with anti-microbial coating
 99.97% particulate efficiency < 99.9% bacterial removal

Operation

Touch-free infra-red activation
 Hand dry time: 10 seconds (measured to method defined by National Sanitation Foundation protocol P.335)
 Airspeed output: 400 mph
 Operating airflow: 74 CFM
 Rated operating noise power: 85 dB(A)

Logistics

Serial number prefix: A02
 Single unit order code: 14645-01
 Unit weight: 32 lb
 Packaged weight: 39 lb
 Packaged dimensions: 29.1" x 14.3" x 12.2"
 Pallet count: 13
 Pallet type: US
 Unit barcode: 879957001848

Standard warranty

5 year parts, 1 year labor limited

Product Certification

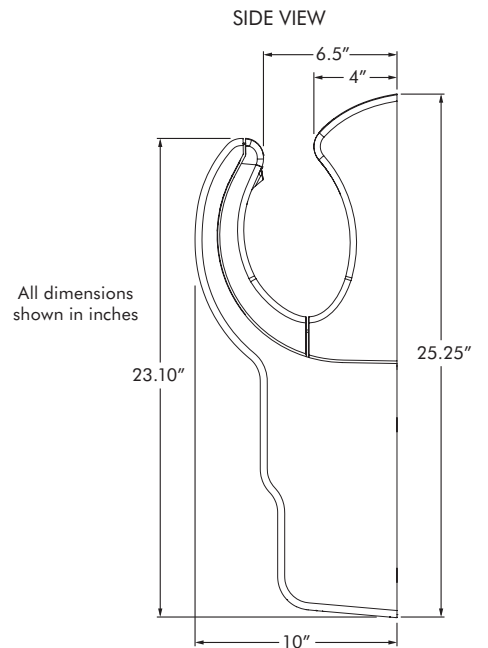
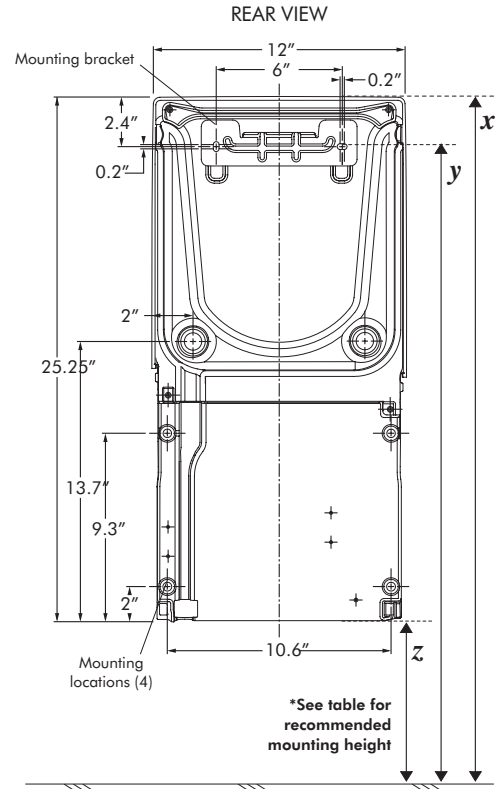
ETL listed in accordance with UL 507
 ADA Compliant

*Recommended installation heights measured from floor	Male	Female	Child or Disabled
x To top of machine	41.25"	38.25"	34.25"
y To mounting bracket screw	39.0"	36.0"	32.0"
z To bottom of machine	16.0"	13.0"	9.0"

Manufactured materials

Plastic: ABS, polyurethane, polypropylene, BMC, PTFE
 Rubber: Styrene, butadiene, EPDM
 Metal: Die cast aluminium, steel, copper, zinc, ferrite cores
 Other: Powder coat, lacquer, glass, glass paper, synthetic fiber fleece, hotmelt glass wool adhesive

For further information please contact Dyson at
1-888-DYSON-AB or email any questions to
airbladeinfo@dyson.com



Electrical

Electrical supply: 110-120 V AC, single phase 60 Hz
 Rated power: 1400 W
 Motor type: Dyson digital motor. Switched reluctance brushless
 Motor speed: 81,000 rpm
 Heater type: None
 Standby power consumption: 1 W
 Energy consumption per dry: 0.00468 kWh

Construction

Polycarbonate-ABS casing with homogenous anti-microbial additive
 Color finish: Metallic steel finish PC-ABS
 Anti-microbially integrated external plastics, seals and air ducts
 Galvanized steel back plate / mounting bracket
 Tamper-proof T30 type exterior screws
 Water ingress protection to IPX5

Filtration

HEPA filter with anti-microbial coating
 99.97% particulate efficiency < 99.9% bacterial removal

Operation

Touch-free infra-red activation
 Hand dry time: 12 seconds (measured to method defined by National Sanitation Foundation protocol P.335)
 Airspeed output: 400 mph
 Operating airflow: 68 CFM
 Rated operating noise power: 85 dB(A)

Logistics

Serial number prefix: A04-US
 Single unit order code: 14225-01
 Unit weight: 22 lb
 Packaged weight: 28.7 lb
 Packaged dimensions: 29.1" x 14.2" x 12.2"
 Pallet count: 13
 Pallet type: US
 Unit barcode: 879957002210

Standard warranty

5 year parts, 1 year labor limited

Product Certification

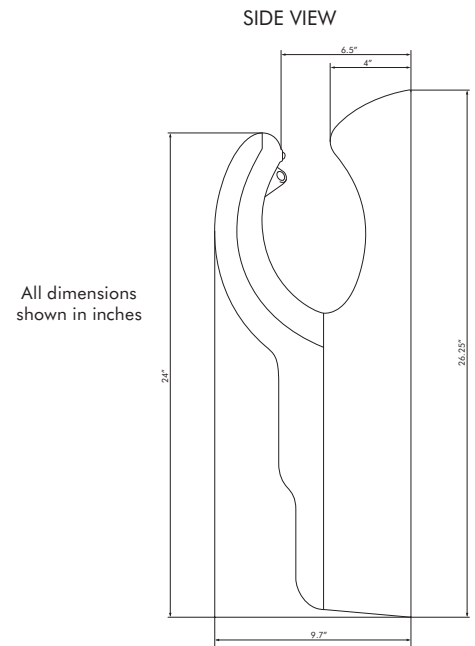
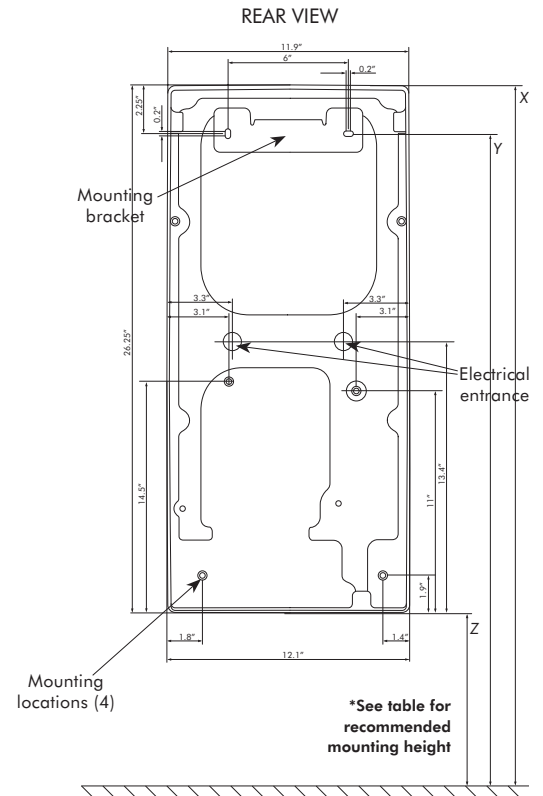
ETL listed in accordance with UL 507
 ADA Compliant

*Recommended installation heights measured from floor	Male	Female	Child or Disabled
x To top of machine	41.25"	38.25"	34.25"
y To mounting bracket screw	39.0"	36.0"	32.0"
z To bottom of machine	15.0"	12.0"	8.0"

Manufactured materials

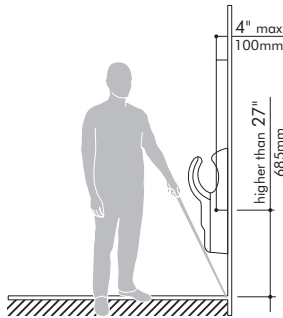
Plastic: ABS, PC/ABS, PC, PP (+ PPGF and PPTF), PET-TS
 Thermoset (BMC/DMC), PEEK
 Rubber: Styrene, butadiene, EPDM
 Metal: Stainless steel, galvanized steel, zinc diecast alloy brass

For further information please contact Dyson at
1-888-DYSON-AB or email any questions to
airbladeinfo@dyson.com



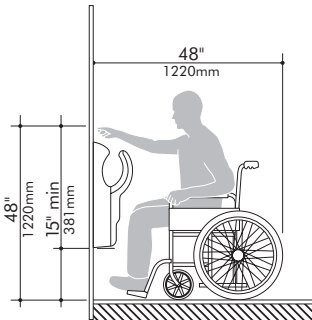
Mobility access within washroom facilities

The Americans with Disabilities Act (ADA) defines the accessible requirements for the design and construction of washroom spaces in the United States.* Detailed below are examples of the installation requirements for hand dryers. The Dyson Airblade™ hand dryer (AB02, AB04) has been designed to comply with these recommendations.



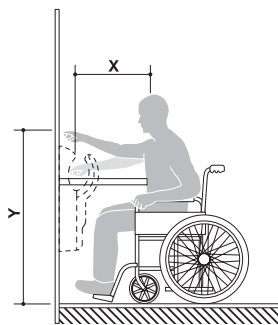
Clearance for wall-mounted protruding objects

Objects that protrude beyond 4" (100mm) from the wall must be mounted so that part of the object is below 27" (685mm) from the floor in order to overlap the cane detection range specified by ADA standards.



Forward reach:

Maximum high forward reach allowed shall be: 48" (1220mm)
Minimum low forward reach allowed shall be: 15" (381mm)



Forward reach over an obstruction:

When the reach x is less than 20" (510mm) then the maximum height y shall be 48" (1220mm) maximum.

US09003 01.14.09 © 2009 Dyson



*Source: ADA Accessibility Guidelines for Buildings and Facilities (ADAAG), Section 4. Accessible Elements and Spaces: Scope and Technical Requirements.