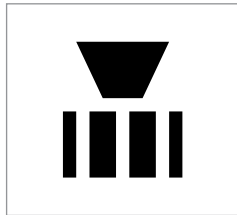


2-120-T Aurora XTM



4"
Recessed
Downlight

Xicato LED



With a myriad of reflector, trim, and color temperature combinations, Aurora blends discretely with any décor. The 2 1/2" regressed lamp delivers high lumens without glare, while 20° aiming increases flexibility in locating luminaires. The Xicato module produces a light consistency of less than 2 SDCM (MacAdam Ellipse).

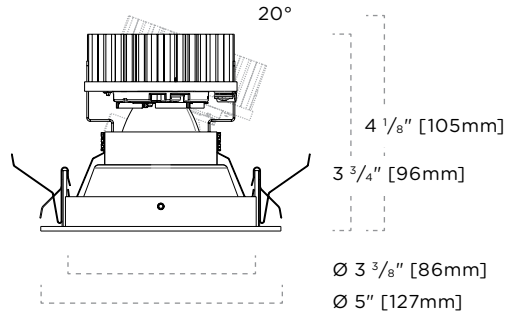
- For use with Xicato XTM LED
- 20° aiming (3 series)
- Die-cast aluminum fixture
- Powder coated and plated trim ring finishes
- Trim clips designed for 5/8" ceiling thickness
- Accepts up to 2 optional media
- L80 @ 50,000 hours
- Trimless version available (see separate specifications)



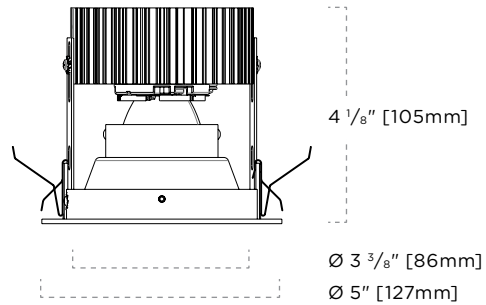
2-120-T-Aurora-XTM-Specs • Subject to change without notice • Rev 2016.04.24 • 1/6

Features & Lighting

3 SERIES

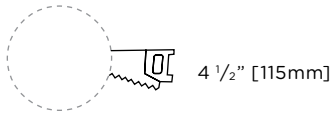


5, 7, & 9 SERIES

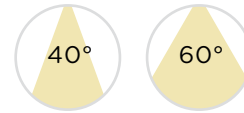


24 TITLE 24 COMPLIANT

CEILING CUTOUT



BEAM SPREADS



TRIM FINISH

- White
- Chrome Plated
- Black
- Matte Silver
- Bronze
- Gold Plated
- Matte Nickel

REFLECTOR FINISH

- 24 Black Open
- 24 Black Specular
- 24 Black Stepped Baffle
- 24 Nickel Satin
- 24 Silver Satin
- 24 White Open

COLOR TEMPERATURE

- 24 2700
- 24 3000
- 24 3000 Vibrant
- 24 3500
- 24 4000

CRI & LUMENS

SERIES	3		5		7		9	
CRI VALUE	83	98	83	98	83	98	83	98
LUMEN OUTPUT	1000	700	1500	1000	2000	1300	2700	2100
LED WATTAGE	10	9	14	12	20	17	24	24
TITLE 24	—	24	—	24	—	—	—	—

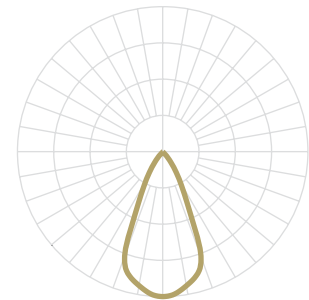
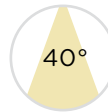
Photometric Data

CONVERSION CHART

CRI	LUMENS	CCT / MULTIPLIER				TYPICAL SYSTEM POWER
		2700K	3000K	3500K	4000K	
83	1000	0.55				13W
	1500	0.75				17W
	2000	1 (Baseline)				23.5W
	2700	1.35				28W
98	700	0.40				12W
	1000	0.53				15W
	1300	0.65				22W
	2100	1.07				28W

7 SERIES, 40° BEAM, 3000K, 83 CRI, 2000 LUMENS

Report: L08133501
 Trim Model: 2-120-T-01-SAS-XTM40-30-8320
 Efficacy: 74 lm/W
 System Power: 23.5 W
 Lumen: 1746 lm



OUTPUT

DISTANCE		BEAM DIAMETER		OUTPUT	
FT	M	FT	M	FC	LUX
6	1.8	5.1	1.55	75.3	810.5
8	2.4	6.8	2.07	42.4	455.9
10	3.0	8.5	2.59	27.1	291.8
12	3.7	10.2	3.11	18.8	202.6
14	4.3	11.9	3.63	13.8	148.9
16	4.9	13.6	4.15	10.6	114.0

Luminaires are tested to IESNA standards LM-79-08. Tested to Absolute Photometry.

2-120-T-Aurora-XTM-Specs • Subject to change without notice • Rev 2016.04.24 • 3/6