

FLIR **MPX**[™]
MULTI-FORMAT

M51164124

QUAD HD Security System



M51164124
12 x 4MP Cameras, 16 Channels, 4TB HDD

The FLIR MPX 16-Channel Quad HD Security System is the ideal solution to upgrade to 4MP HD resolution using existing coax cabling. Ideal for retrofit, MPX makes upgrading to HD easier than ever – connect the included eyeball dome cameras to existing coax for a hassle-free upgrade. Our free FLIR Cloud[™] apps provide easy remote access anywhere you go via iOS, Android, PC or Mac. The latest MPX multi-format technology also provides a path for future upgrades and maximum flexibility*.

HIGH DEFINITION QUALITY & MULTI-FORMAT

Experience outstanding HD resolution over existing coax.

- Supports up to 4-FLIR IP cameras (max resolution of 4MP)
- MPX multi-format compatibility with popular analog HD formats*
- Offers reliable identification with selectable area digital zoom

EASY INSTALLATION

Upgrade systems to HD quality without networking complexities or the expense of re-cabling.

- BNC video recorder input – MPX multi-format 4MP/3MP/2MP/1MP/960H Analog
- Zero latency, even with cable lengths up to 1000ft (330m)

4MP QUAD HD CAMERAS INCLUDED

Experience outstanding Quad HD resolution over coax.

- 12x 4MP (2688x1520) @ 30fps live / 15fps record
- 85° (H) field of view, 80ft (24m) IR Night Vision / TDN
- IP66 weatherproof rated & cold climate capable (-22°F / -30°C)

QUICK & SECURE REMOTE VIEWING

Remote access via iOS, Android, PC & Mac with FLIR Cloud[™]

- Set up remote viewing in 3 easy steps: install FLIR Cloud[™] app, scan QR code on NVR, and start viewing live video
- Multisite viewing with FLIR Cloud[™] CMS for PC & Mac

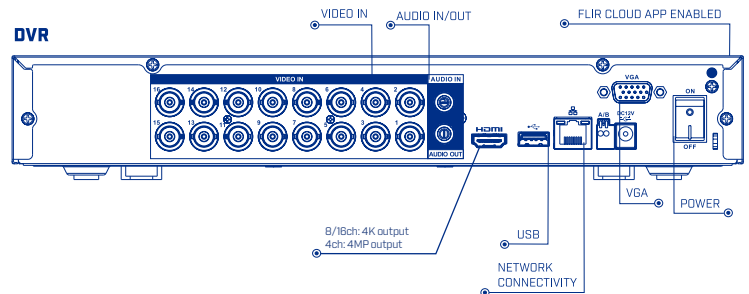
* For analog HD format compatibility, please visit flir.com/security/MPX



Specifications

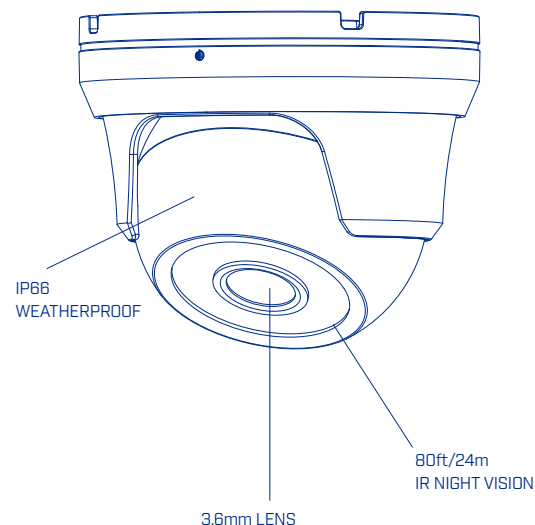
DVR Specifications System	M5100/P Series
Operating System	Linux (embedded)
Pentaplex	Simultaneous view, record, playback, backup & remote monitoring
Number of Channels	4/8/16 Channels — MPX Cameras Required
Inputs/Outputs	
Video IN	4/ 8/16 x 1Vp-p, BNC
Video OUT	Yes, 1 VGA & 1 HDMI
VGA OUT	Yes
HDMI OUT	Yes
Audio IN	Audio IN 1 channel (RCA), supports 2-way talk
Audio OUT	Audio OUT 1 channel (RCA), supports 2-way talk
USB Port	1 at the back, 1 at the front
Alarm IN	None
Alarm OUT	None
Video Output Resolution	8/16 ch-4k, 4 ch-4MP
PTZ Control	BNC-CVI + RS-485 Pelco D & P Protocol
Display	
Live Display	4 ch: 1, 4 8 ch: 1, 4, 8 16 ch: 1, 4, 8, 9, 16
Live Display Speed	4 ch: 120 NTSC, 100 PAL 8 ch: 240 NTSC, 200 PAL 16 ch: 480 NTSC, 400 PAL
OSD	ON/OFF
System Navigation	USB mouse, IR remote controller, front panel
Motion Area Setting	Fixed grid 396 (22x18) NTSC&PAL
Sensitivity	100
Firmware Upgrade	Via USB device / Network
User Authority	By user group
Time Synchronization	Auto time sync by NTP server
Recording	
Video Compression	H.264+
Audio Compression	G.711
Recording Resolution*	NTSC: 4MP(2688x1520), 3MP(2304x1296), 1080p (1920x1080), 720p (1280x720), 960x480, 704x480, 352x480, 704x240, 352x240, 176x120 PAL: 4MP(2688x1520), 3MP(2304x1296), 1080p (1920x1080), 720p (1280x720), 960x576, 704x576, 352x288, 176x144
Recording Frame Rate	NTSC 4 ch: 48fps @ 4MP, 120fps @ 3MP, 1080p/720p/960H 8 ch: 120fps @ 4MP, 240fps @ 3MP, 1080p/720p/960H 16 ch: 240fps @ 4MP, 480fps @ 3MP, 1080p/720p/960H PAL 4 ch: 48fps @ 4MP, 100fps @ 3MP, 1080p/720p/960H 8 ch: 100fps @ 4MP, 200fps @ 3MP, 1080p/720p/960H 16 ch: 200fps @ 4MP, 400fps @ 3MP, 1080p/720p/960H
Recording Resolution Setting	Per camera for different resolutions
Recording Quality Control	6 Levels
Recording Schedule	By hour, by day, by recording mode, by motion, by alarm, by channel
Pre Recording	Max. 30 Seconds
Post Recording	Max. 5 min / Min. 10 Sec
Reliability	Watch-Dog, auto-recovery after power failure
Covert Video	Yes
Playback	
Playback Channel	4 ch: 1 / 4, 8 ch: 1 / 4 / 8, 16ch: 1 / 4 / 8 / 16
Playback Speed	Variable max 4x
Playback Players	Backup Player
Search	By Time/Date, MD & Exact search (accurate to second)
Log Search	Up to 1,000 lines for motion detected, configuration changes, connects/disconnects and video loss
Audio Play	Yes
Storage & Archive	
Storage	1 HDD (SATA)
Maximum Capacity	Up to 8TB
Backup Media	USB flash drive & HDD & Network
Backup File Format	DAV or ASF file

DVR Specifications Cont. Connectivity	M5100/P Series
Cloud Connection	FLIR Cloud™
Supported Operating Systems	Windows™, Mac OSX
Remote Software	Client Software (PC) & Safari (Mac)
Email Notification	Text with snapshot
Instant Smart Phone & Tablet Support	FLIR Cloud™ iPad®, iPhone®, Android™ apps
System Configuration	Full setup configuration over network
Ports	Programmable by User
Network Protocol	HTTP, IPv4/IPv6, TCP/IP, UPNP, RTSP, UDP, SMTP, NTP, DHCP, DNS, PPPoE, DDNS, FTP, IP Filter
Network Interface	10/100-Base-TX, RJ-45
Network Speed Control	96Kb ~ 4096kb/sec. per camera
DVR General Information	
Power Consumption	Approx. 10 watts (No HDD Installed)
Supply Voltage	4/8 ch: 100VAC-240VAC, 12VDC, 2A, 50/60Hz 16 ch: 100VAC-240VAC, 12VDC, 3A, 50/60Hz
Unit Dimensions (W x D x H)	12.8 x 10 x 2.2" / 325 x 255 x 55mm
Unit Weight	3.3 lb / 1.5 kg (without HDD)
Operating Temperature	14° ~ 131° F / -10° ~ 55° C
Humidity	10 ~ 90% RH



Specifications

Camera	ME363
Imaging Device	QUAD HD 4MP, 1/3"
Effective Pixels	2688(H) x 1520(V)
Imager Type	CMOS
Image Readout	Progressive Scan
Day / Night	Auto (ICR) / Color / B/W
Mechanical IR Cut Filter	Yes
Min. Illumination	0.2 lux @ F1.2 (Color) 0.05 lux @ F1.2 (B/W)
S/N Ratio	≤50dB
Horizontal Field of View	85° (H) field of view
IR Illumination Distance	80ft (24m) IR Night Vision
IR Wavelength	840~850nm
IR On / Off Control	N
Video Output	BNC (4MP Multi-format*)
Electronic Shutter Range	1/60~1/50,000
Optical	
Lens Type	Fixed
Mount Type	Board Type
Iris Type	Fixed Iris
Iris Control Type	AIS
Focal Length	3.6mm
Aperture	F2.0
Optical Zoom	N/A
Focus	Fixed
Video	
Frame rates (Maximum)	4MP@30fps
Wide Dynamic Range	DWDR
Dynamic Range	N/A
Backlight Compensation	BLC
White Balance	ATW / Manual
Gain Control	Color Gain, Adjustable
Noise Reduction	2D DNR
Smart IR	Yes
Digital Zoom	No
Video Mirroring/Rotation	H Flip / V Flip / HV Flip
Video Overlay	No
Window Blanking (Privacy)	No
Defog	No
Menu Languages	English
Mechanical	
Material	Aluminum Alloy
Product Dimensions (Dia x H)	3.7 x 2.5" / 93 x 64mm
Product Weight	0.9lbs / 0.4kg
Electrical	
Analog Video Out (service only)	No
Power Input	12V DC
Power Consumption (maximum)	4.7W
Current Consumption (maximum)	390mA
Additional Features	
Built-in Heater	N/A
Audio I/O	N/A
Alarm I/O	N/A
Environmental	
Storage Temperature	-40°F ~ +140°F / -40°C ~ +60°C
Storage Humidity	Less than 95% RH
Operating Temperature	-22°F ~ +140°F / -30°C ~ +60°C
Operating Humidity	Less than 85% RH
Cold Start Temperature	-22°F / -30°C
Ingress Protection	IP66 Rated
Vandal Resistance	No
Certifications	
Certifications	CE / FCC / RoHS



Ordering Information

M51164124: 8-41430-01871-1

Package Dimensions

14.1 x 13.1 x 12"
378 x 349 x 314mm

MARKHAM, ONTARIO

FLIR Systems, Inc.
250 Royal Crest Court
Markham, ON L3R 3S1
Canada
PH: +1 866.344.4674

PORTLAND

Corporate Headquarters
FLIR Systems, Inc.
27700 SW Parkway Ave.
Wilsonville, OR 97070
USA
PH: +1 866.477.3687

www.flir.com/security
NASDAQ: FLIR

Equipment described herein may require US Government authorization for export purposes. Diversion contrary to US law is prohibited. Imagery for illustration purposes only. Specifications are subject to change without notice. ©2017 FLIR Systems, Inc. All rights reserved.
(Created 10/05/2017) - (17-2937-SEC)

* Camera is restricted to 4MP resolution and is compatible only with 4MP/5MP/4K HD-CVI/HD-TVI/AHD enabled recorders. Channel resolution must be set to 4MP resolution. For information on compatibility with various analog HD formats, visit flir.com/security/MPX