

Product Specifications



TL-901

Description

Low Voltage Soft-Square track cylinder for use with MR-16 lamps

Available Finishes:

Black
Brushed Steel
White

Product Code:

TL-901-BLK
TL-901-BST
TL-901-WH

- 270° vertical aiming capability with 315° horizontal rotation.
- Locking knobs provided.

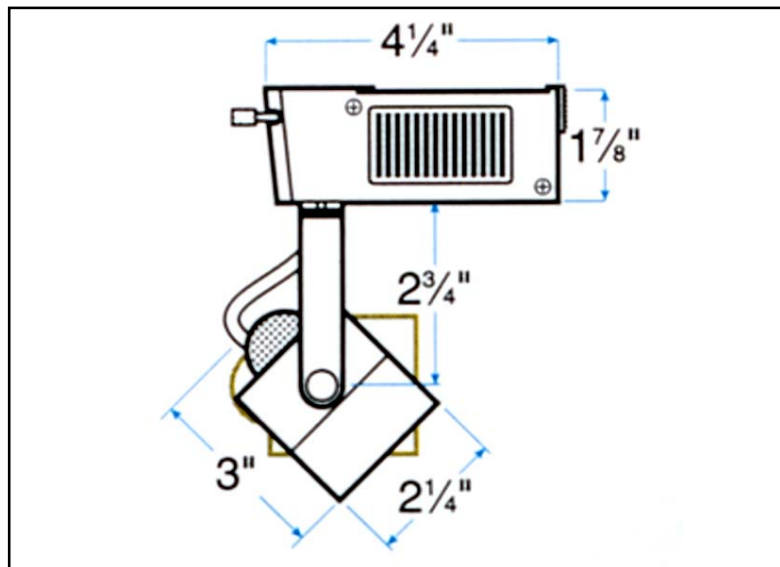


Specifications

I/P: AC 120V 0.45A ± 10% 50/60 Hz

O/P: AC 12V 50W max.

Bulb type: MR16 12V / 50W



110, 6780 Dennett Place, Delta, BC V4G 1N4 - P. (604) 952-5510 F. (604) 952-5513
16650 - 114 Avenue Edmonton, Alberta T5M 3R8 - P. (780) 455-5500 F. (780) 452-1706
2, 6355 - Danville Rd, Mississauga, Ontario L5T 2L4 - P. (905) 565-9998 F. (905) 565-8881