

Nite Owl Series

High Impact, Thermoplastic Adjustable Heads Exit Sign

MR16 quartz halogen lamps with adjustable heads.



Features

- Injection-molded thermoplastic housing
- Innovative, snap together design allows for fast installation
- Replaceable lead-calcium (2 x 6v 4.5amp) battery
- Comes complete with 2 faceplates, 1 back plate, and 1 canopy
- Replaceable knockout directional chevron's
- Two adjustable glare free light heads
- Uses halogen MR16 lamps with front glass cover
- Low Energy consumption LED light source
- Field adjustable heads
- 36W remote capability (Standard with 2 x 5.4W MR16 heads)
- CSA certified, meets or exceeds C860 requirements



Typical Specification

The Contractor will install the Lumacell NH50LER660 Combo. The NH50LER660 Combo shall be suitable for wall end or ceiling mount.

The face shall be constructed of a durable high impact thermoplastic. No screws are necessary to hold the face plate or canopy to the housing. The face plates shall come standard with snap out chevron's. The frame shall be constructed of a one-piece thermoplastic mold and comes completely standard white. This combo shall be universal 120/347 AC input and comply to C860-01.

The combo unit will come complete with 2 adjustable Eyeball, glare free MR16 lamps and front glass cover and remain illuminated in emergency mode for a period of 30 minutes.

The combo unit shall be CSA-C860 approved.

The combo unit shall be Lumacell Model:

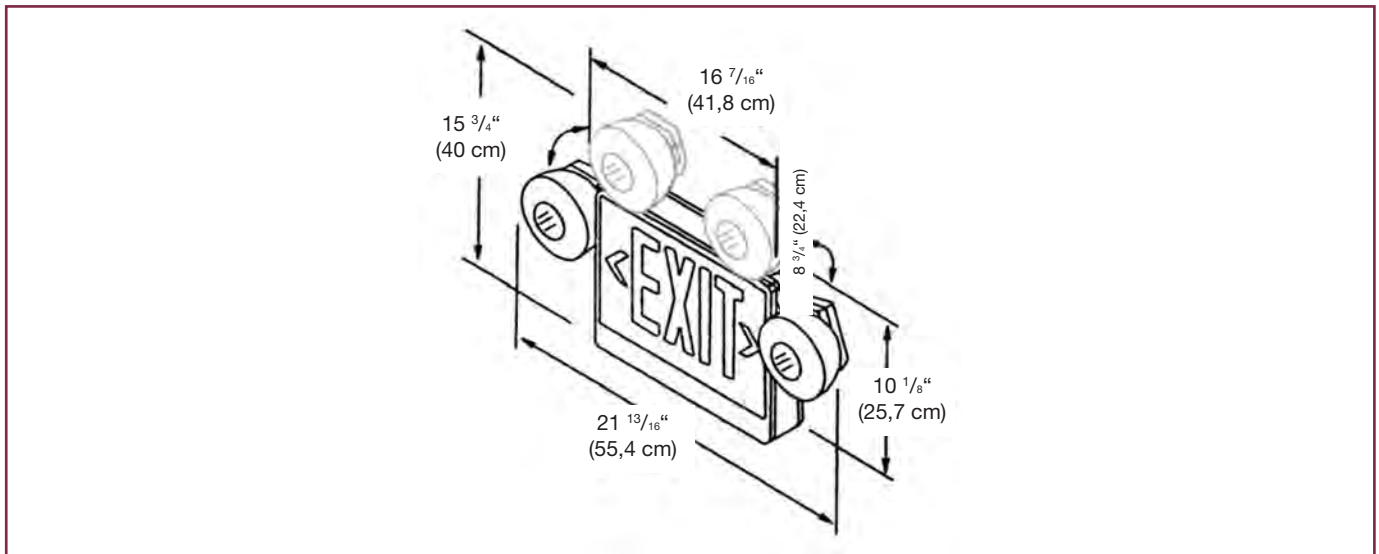
_____.

Project/Location		Date
Contractor		Prepared by
LUMACELL Model		



NITE OWL NH50 SERIES

Dimensions



Wire Guard

460.0034-L	Wall Mount
------------	------------

Power Consumption and Unit Rating

Model	AC Specs		Wattage Capacity				
			30min	1h00	1h30	2h00	4h00
NH50	120/347Vac	0.10/0.04 Amp	50	30	20	16	-

Ordering Information

Unit Capacity	Series	AC Voltage	# of Lamps/Type	Options
NH50= 6V 50W	LER660= EXIT	Blank= 120/347Vac	Blank= two 5W MR16 lamps (standard)	Blank= no options -10W= two 10W MR16 lamps

EXAMPLE: NH50LER660