

COMFORT AND SPACE HEATING

SERGE BARIL

Underfloor heating is quickly becoming one of the most popular forms of indoor heating in the world. Through the use of underfloor heating, a new world of superior comfort and energy efficiency has been discovered.

SIMPLE SOLUTION:

Simply install the **6CCA-1BA (120V)** or **6CCA-2BA (240V)** heat tracing cable at 9" centers to obtain 12W/sq.ft. **The heater can be cut to the desired length on site**, thus avoiding any resistance calculations or specific orders and delays to obtain a predetermined heater length.

BY FAR - THE BEST SYSTEM

Very easy to install, the cable self-regulates and adjusts its heat output to the temperature variations of the room. It therefore heats most in cold areas such as exterior walls and under windows; while heating less in areas warmed by the sun.

The result: it is the only system that assures a true constant temperature in the room thus reducing energy consumption and providing for a uniform temperature and a high level of comfort in the room.

HEAT TRACING CABLES



Comfort and Space Heating

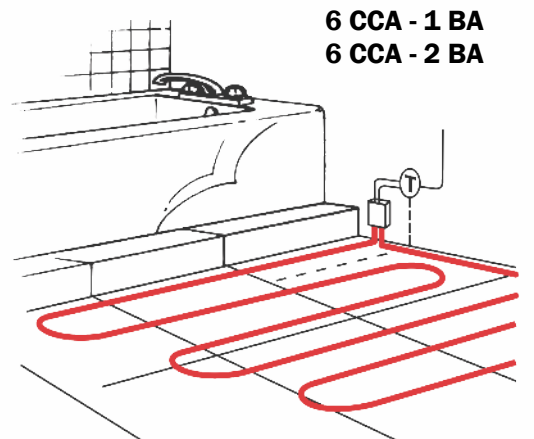


Installation

The heat trace cable can be installed using metal clip strips (CS-3), plastic clips (GRK-C) or tie raps at 9" centers. The space between the cables can be filled with a self-leveling cement, concrete or simply with tile mortar.

The thermostat bulb should be centered between two cables at a spot which is representative of the required room conditions.

MAXIMUM LENGTH VS BREAKER AMPS.		
		6CCA
VOLTAGE	BREAKER	MAX. (ft/m)
120V Max. segment length 6CCA-1BA = 100 ft (30,5 m)	15A	104*/31,7*
	20A	138*/42,2*
	30A	207*/63,1*
240V Max. segment length 6CCA-2BA = 293 ft (87,3 m)	15A	207/63,1
	20A	276/84,2
	30A	415*/126,5*



* These lengths exceed the maximum segment length and require more than one segment per breaker.

ACCESSORIES:

MSPS/GRK-E	Molded silicone power seal and heat shrink end seal
MSPS	Molded silicone power seal
GRK-E	Heat shrink end seal
GRK-C	Clips (25/box)

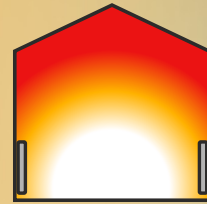
Caution: The use of a ground fault protection device (GFPD) is required at all times in conjunction with the installation of heat tracing cables

The many advantages of a heated floor

Comfort, obviously, but a reduction in cost of approximately 50% on your heating bill should be the most convincing reason.

Typical example:

In a room heated by radiators, heat rises along the exterior walls in a bell shape (see drawing). The temperature differential between the ceiling and the floor is too great and creates discomfort; the ceiling temperature is very high while the floor temperature is relatively cool. Even with a thermostat setting at 72°F (22°C), the problem is not solved.



RADIATORS

With a self regulated heated floor at 12W/sqft we reverse this situation by heating the interior of the bell and thus obtaining a very comfortable floor temperature in the 80°F range (26.7°C). This allows the room thermostat to be set as low as 65°F (18.3°C) while still providing higher comfort and a significant cost saving.



COMFORT AND
SPACE HEATING



Comfort and Space
Heating