

FEATURES & SPECIFICATIONS

INTENDED USE — Typical applications include corridors, lobbies, conference rooms and private offices.
CONSTRUCTION — Retrofit, remodel, and new construction mounting types. See table for compatible ceiling openings and thickness range.

Optional goof rings available for additional overlap trim coverage.

1/2"-1-1/2" ceiling thickness

25° ambient temperature

IC rated up to 1000lm

OPTICS — 55° cutoff

New construction frame accessories approved for 8 (4 in/4 out) No. 12 AWG conductors rated for 90°C through wiring.

1.0 S/MH standard (wallwash reflector available)

80CRI standard (90CRI optional)

ELECTRICAL — Adjustable lumen output with three module options. Fixed lumen options also available. MVOLT 120/277V 50/60Hz driver (0-10V & 120V Phase Dimming to 10% min dimming level)

100LPW typical

FCC CFR Title 47 Part 15 Class A for 277V. FCC CFR Title 47 Part 15 Class B for 120V.

L80 at 60,000 hours

3 SDCM

LISTINGS — Certified to US and Canadian safety standards. Title 24 compliant (90CRI, up to 1000lm) Damp location standard (Wet location, covered ceiling optional). Some configurations are ENERGY STAR® certified, please visit www.energystar.gov for specific products. TAA compliant. UFC (3-530-01) specification compliant for power factor and THD. GSA P100 6.2.4 compliant for power quality at full output; compliant up to 2000lm at fully dimmed output.

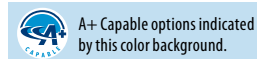
WARRANTY — 5-year limited warranty. Complete warranty terms located at:

www.acuitybrands.com/support/warranty/terms-and-conditions

Note: Actual performance may differ as a result of end-user environment and application.

All values are design or typical values, measured under laboratory conditions at 25 °C.

Specifications subject to change without notice.



Catalog Number
Notes
Type

LBR8

8" OPEN



Retrofit | Remodel



New Construction



Module ordering

ORDERING INFORMATION

Lead times will vary depending on options selected. Consult with your sales representative.

Example: LBR8 ALO2 SWW1 AR LSS MWD MVOLT UGZ 90CRI

Series	Lumens [†]	Color temperature [†]	Reflector Color	Reflector Flange	Reflector Finish
LBR8 8" Retrofit	Adjustable Lumen Output	Switchable CCT	AR Clear	(blank) Self-flanged	LSS Semi-specular
LBR8WW 8" Retrofit Wallwash	ALO1 500/750/1000lm	SWW1 3000K-3500K-4000K-5000K	WR [†] White painted	TRW [†] White painted flange	
	ALO2 1000/1500/2000lm	Fixed CCT	BR [†] Black painted	TRBL [†] Black painted flange	
	ALO3 2000/2500/3000lm	30K 3000K			
	Fixed Lumen Output	35K 3500K			
	05LM 500lm	40K 4000K			
	07LM 750lm	50K 5000K			
	10LM 1000lm				
	15LM 1500lm				
	20LM 2000lm				
	25LM 2500lm				
	30LM 3000lm				

Distribution	Voltage	Driver	Options
MWD Medium wide (1.0 s/mh)	MVOLT 120V - 277V	UGZ Universal dimming to 10% 0-10V; line voltage dimming (120V)	90CRI High CRI (90+)
WW [‡] Wallwash	347V	DALI [‡] DALI dimming to 1%	AT [‡] Airtight
		D10 Minimum dimming 10% driver for use with JOT	E10WCPR [‡] Battery pack (10W constant power) T20 Compliant remote test switch
		D1 Minimum dimming 1% driver for use with JOT	ELR [‡] Battery pack (10W constant power) Non-T20 Compliant remote test switch
			EC1 [‡] Extended Conduit (18")
			EC6 [‡] Extended Conduit (6ft)
			WL [‡] Wet Location (IP55)
			QDS [‡] Quick disconnect plugs
			CP [‡] Chicago Plenum
			JOT [‡] Wireless room control with "Just One Touch" pairing

nLight Options [†]	
NPP16D	nLight® network power/relay pack with 0-10V dimming
NPP16DER	nLight® network power/relay pack with 0-10V dimming; ER controls fixtures on emergency circuit.
NLTAIR2	nLight® Air enabled
NLTAIRER2	nLight® AIR Dimming Pack Wireless Controls. Controls fixtures on emergency circuit
NLTAIREM2	nLight® AIR Dimming Pack Wireless Controls. UL924 Emergency Operation, via power interrupt detection.

New Construction Frames: Order as separate catalog number. Shipped separately.	
LBR8PFW	8" New construction frame with JBOX, 18" conduit
LBR8PFWQDS	8" New construction frame with JBOX, 18" conduit, quick disconnects
LBR8PFWCP	8" Chicago Plenum New construction frame with JBOX, 18" conduit

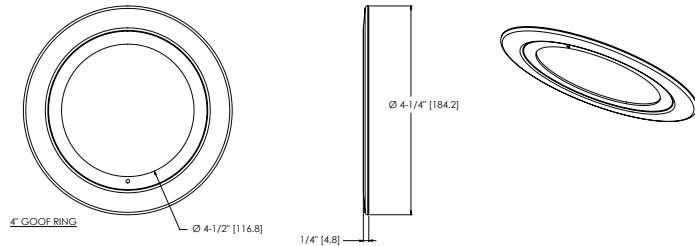
NOTE: ‡ indicates option value has ordering restrictions. Please reference the Option Value Ordering Restrictions chart on the next page.

‡ Option Value Ordering Restrictions

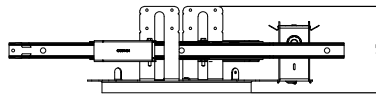
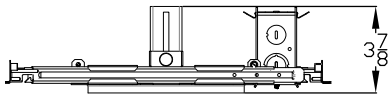
Options	Restriction
Lumens	Fixed CCT and lumens must be specified together (for example: 10LM 30K).
WR, BR	Not available with reflector finish.
TRW	For use with Clear (AR) reflector finish only. Not applicable with WR (white reflector).
TRBL	For use with Clear (AR) reflector finish only. Not applicable with BR (black reflector).
WW	Only available with WW Series (for example LBR4WW).
DALI	Not available with Fixed CCT and lumens.
D10, D1	Only available with JOT
AT	Standard for CP and IP55, not available with WW.
ELR, E10WCPR	Not available QDS, CP, 347V, NPP16D ER, NLTAIRER2, or NLTAIREM2.
EC1, EC6	Not Available with CP, QDS, ELR, or E10WCPR.
WL	IP55 rated; Not available with WW, All CP is wet locations, excluding WW (Damp listed)
QDS	Not available CP, ELR, E10WCPR, or 347V.
JOT	Not available with CP, NPP16D, NPP16D ER, NLTAIR2, NLTAIRER2, NLTAIREM2, UGZ, or DALI drivers. 4-1/2" minimum plenum depth required. Not recommended for use in metal ceilings.
NPP16D	Not available with CP, QDS, DALI, D1, OR D10 drivers. 120V OR 277V only. Not available with 347V. 5-1/2" minimum plenum depth required.
NPP16DER	Not available with CP, QDS, ELR, E10WCPR, DALI, D1, OR D10 drivers. 120V OR 277V only. Not available with 347V. Will require an emergency hot feed and normal hot feed. 5-1/2" minimum plenum depth required.
NLTAIR2	Not available with CP, QDS, DALI, D1, OR D10 drivers. Not recommended for metal ceiling installations. 5-1/2" minimum plenum depth required.
NLTAIRER2	Not available with CP, QDS, ELR, E10WCPR, DALI, D1, OR D10 drivers. Not available with 347V. Not recommended for metal ceiling installations. 5-1/2" minimum plenum depth required.
NLTAIREM2	Not available with CP, QDS, ELR, E10WCPR, DALI, D1, OR D10 drivers. Not recommended for metal ceiling installations. 5-1/2" minimum plenum depth required.
CP	Not available with, QDS, EC1, EC6, ELR, E10WCPR, 347V, JOT, NPP16D, NPP16D ER, NLTAIR2, NLTAIRER2, NLTAIREM2, D1, OR D10 drivers. Not available with square trim.
T24	IC rated, 90CRI, 500-1000 lumens, & round trim only.
Goof Rings	Not Available with CP.

Accessories: Order as separate catalog number. Shipped separately.	
LBRGR56	Goof ring 5-3/4" to 6-3/4" for LBR4
LBR468 FPAN U	Mounting plate 4"-8" unit pack
LBR468 FPAN J10	Mounting plate 4"-8" 10-pack

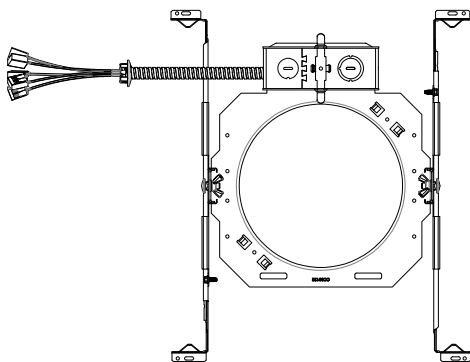
Goof rings must specify finish
 Examples: LBRGR56 WR, LBRGR78 BR, LBRGR910 AR
 WR = white, BR = black, AR = Clear



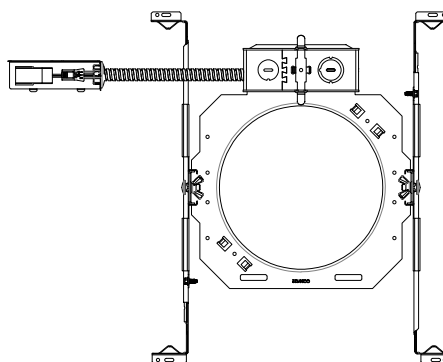
* All dimensions are inches (millimeters) unless otherwise noted.



Aperture Size	Ceiling Cutout
8 In	8-3/4"



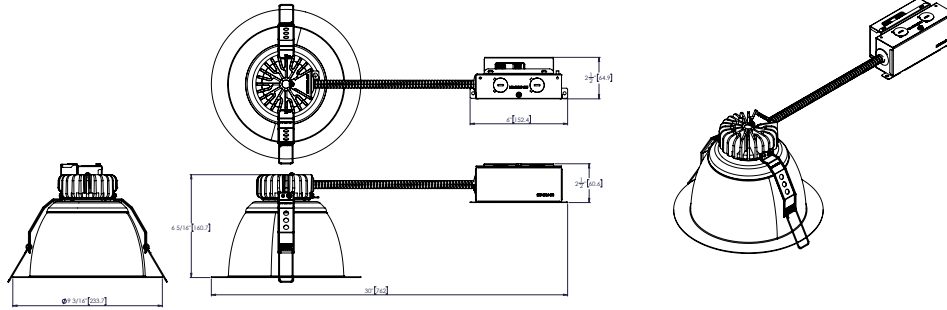
8" New Construction Frame, 18" Conduit



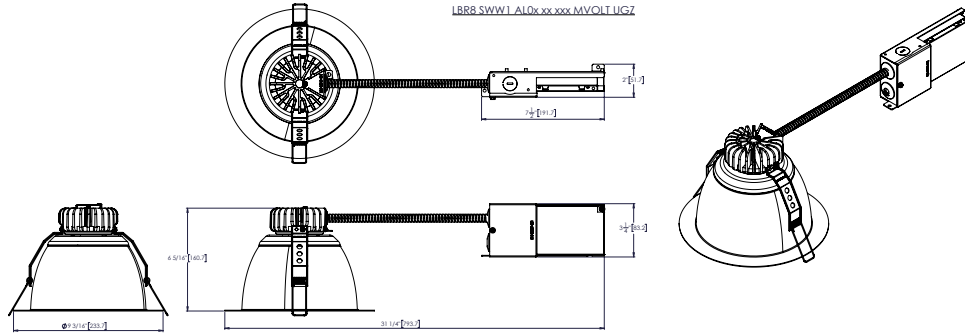
8" New Construction Frame, QDS

LBR8

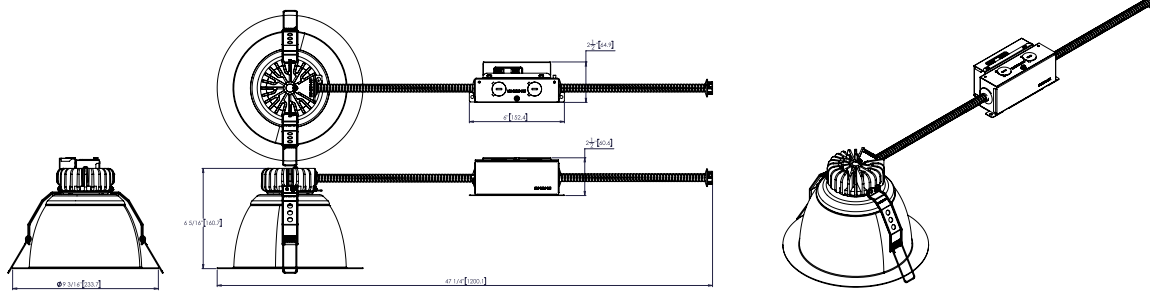
* All dimensions are inches (millimeters) unless otherwise noted.



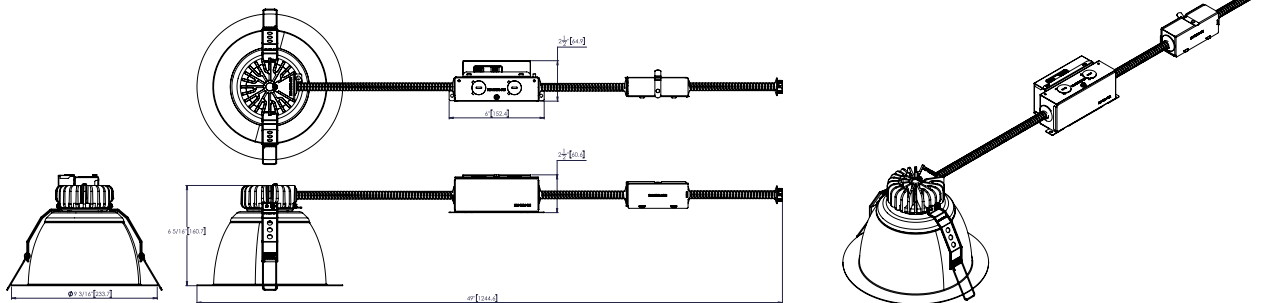
LBR8 SWW1 AL0x xx xxx MVOLT UGZ



LBR8 SWW1 AL03 xx xxx MVOLT DALI



LBR8 SWW1 AL0x xx xxx MVOLT UGZ EC1



LBR8 SWW1 AL0x xx xxx MVOLT UGZ QDS