



Provides a comfortable 60° cut-off to both the actual and reflected source. Utilizes a robust frame-in kit, light engine and reflector design that is designed for a wide variety of installation conditions with a plenum depth of 4-1/2".

Project: _____
 Location: _____
 Cat.No: _____
 Type: _____
 Lamps: _____ Qty: _____
 Notes: _____

Frame (frame + trim = complete product) example: 4RN

Series	Aperture	Installation	Options
4 4-inch Non-IC	R Round	N New construction (Non-IC)	— Universal 120/277V (specify for Power Over Ethernet) LC Chicago Plenum EM Emergency ¹
		R Remodeler (Non-IC)	— Universal 120/277V (specify for Power Over Ethernet) 3 347V (not compatible with ELV dimming)
		A AirSeal (IC)	— Universal 120/277V (specify for Power Over Ethernet) 3IP 347V with Interact Pro (for use with 0-10V engines only) IP Interact Pro (for use with 0-10V engines only)

Trim example: P4RDL20835CDZ10U

Series	Style	Lumen	CRI/CCT	Reflector	Flange	Dimming ²	Voltage
P4R LyteProfile 4-inch Round	DL Downlight	05 500lm (0-10V only) 10 1000lm 15 1500lm 20 2000lm 25 2500lm	827 80CRI / 2700K 830 80CRI / 3000K 835 80CRI / 3500K 840 80CRI / 4000K 850 80CRI / 5000K	CL Specular clear	— White (matte) P Polished	Z10 0-10V 1% L Lutron LDE1 EcoSystem (fade-to-black) P Power over Ethernet (PoE)	U Universal 120/277/347V E Ethernet 48V DC
	LW Lensed			CC Comfort clear			
	SL Shower light ³ (non-conductive lens)			CD Comfort clear diffuse	— White (matte) B Black (matte)		
				WH White (matte)			
				BK Black (matte)			

Only compatible with 1000 (10) to 2500 (25) lumen configurations

Accessories

- CAEM** Field instalable EM pack (for use with new construction frame only)
- AMS** ActiLume multi-sensor (optional accessory for PoE configurations)
- SWZDT** SpaceWise wireless controller with dwell time functionality (compatible with all 0-10V options, see SWZDT spec sheet)
- SRAINT** InterAct Office Accessory (for use with Lightolier UniFrame 0-10V products)

1. Emergency (EM) frame includes emergency battery with ceiling and reflector mountable test switch (see page 2 for details and limitations). Integral emergency battery not compatible with Power over Ethernet configurations.
 2. Consult factory for available Dali and 0-10V dimming to 0.1% availability.
 3. Order Shower light (SL) with WH finish only.

Note: For reflector mounted test switch add "EM" to end of catalog code (example: P4RDL20835CDZ10UEM). Leave blank for ceiling mounted test switch. Reflector mounted test switch requires above ceiling access and 1.25" max ceiling thickness for downlight only. See LED-EM spec sheet for more details.



P4R LyteProfile 4"

Round Downlight & Lensed Wall Wash

Features

Optics

- Provides a 60° cutoff (physical and reflected)
- Wide beam distribution for general illumination
- Spun and anodized reflectors available in specular (clear), semi-specular (comfort clear and diffuse finishes. Also available in white and black painted finishes.

Quality of light

- Lumen Maintenance: L80 at 60,000 hours
- Color consistency: 3 SDCM
- 80 CRI minimum

Construction (New Construction)

- Galvanized stamped steel for dry / plaster ceilings.
- Pre-installed telescoping mounting bars (13"-24")
- Frame accommodates C- channel, black iron, and 3/4" EMT for mounting distances greater than 24" between joists.
- Manufactured from 20 gage galvanized steel construction with rolled edge aperture to guide cutting tools for perfect hole cutting.

Max ceiling thickness is 1.5" (38 mm). Including PoE frame 4.88" (124 mm).

Patented install Mounting frame

- Pre-installed mounting bars allow for fast and tool-less install into T-grid & hat channel ceilings
- Close-cut aperture design eliminates an undesired gap between ceiling material and reflector.
- Simple plug-and-play connection between frame and light engine from below the ceiling allows for:
 - Easy upgrades
 - Technology changes
 - Repairs and troubleshooting

Dimming

- Advance 0-10V 1% dimming
- Lutron Hi-lume EcoSystem H Series 1% dimming
- EldoLED ECOdrive Dali 1% dimming
- EldoLED SOLOdrive 0-10V 0.1% dimming
- EldoLED DMX POWERdrive

Light engine

Quick connect power pack allow for easy installation and replacement from below ceiling with no need for additional wiring. This allows for:

- Frame and ceiling installation to be performed while still finalizing details such as lumen packages, CCT and control type.
- Easy replacement of electronics at end of life with minimal wasted material and labor required.
- Ease and upgradability of technology.

Wired Controls Options

Interact Office Wired (PoE):

- PoE based IoT connected lighting solution for large enterprises that span across multiple floors, buildings and require multiple gateways.
- Use Interact Office software and insights to increase building efficiency, achieve building wide integration and optimize space through occupancy analytics.
- Supports advanced IoT Apps on Personal Control, Space Management, wayfinding, room/desk reservation and offers open APIs for light control and data exchange.
- PoE lighting controller is accessible from below.
- Integral sensor option for occupancy sensing (PIR) and/or daylight harvesting available for additional energy savings.
- Optional integral emergency controller and battery pack provides 600lm nominal output.
- Test switch and indicator light mounted on side of chassis on one end.
- Emergency battery has a 3 month pre-installed shelf life, and must be stored and installed in environments of 20C to 30C (-4F to 86F) ambient, and 45-85% relative humidity.
- For more information on Interact Office Wired, visit: www.interact-lighting.com/office or www.usa.lighting.philips.com/systems/systemareas/offices.

Interact Office Wired (PoE),

Static White and Tunable White:

- A wireless IoT connected lighting solution for large enterprises that span across multiple floors, buildings and require multiple gateways.
- View all your projects under one dashboard and easily compare insights from multiple projects in one view.
- Compatible Zigbee Green Power wall dimmer and wireless Occupancy or Daylight & Occupancy sensors available.
- Use Interact Office software and insights to increase building efficiency, achieve building wide integration and optimize space through occupancy analytics.
- Supports advanced IoT Apps on wayfinding, room/desk reservation and offers open APIs
- Requires compatible Interact Office Gateway and internet connectivity for commissioning.
- For more information on Interact Office Wireless, visit: www.interact-lighting.com/office or www.usa.lighting.philips.com/systems/systemareas/offices.

Interact Pro (IAP)

- Interact Pro brings the power of connected lighting to small and medium businesses without the complexity usually associated with connected lighting.
- Interact Pro includes an app, a portal and a broad portfolio of wireless Luminaires, lamps and retrofit kits all working on the same system.
- Commissioning via Interact Pro App (Android or iPhone).
- Prepare commissioning remotely via Interact Pro portal.
- Requires compatible Interact Pro Gateway and internet connectivity for commissioning.
- Compatible with UID8451/10 ZigBee Greenpower wireless dimmer switch.
- Compatible with wireless Occ sensor (OCC SENSOR IA CM IP42 WH 10/1) or wireless Day/Occ sensor (OCC MULTI SENSOR IA CM WH 10/1).
- For more information on Interact Pro visit: www.interact-lighting.com/pro.
- For more information on Interact Ready visit: www.philips.com/interact-ready.

Power over Ethernet

Powered via Philips PoE lighting controller:

complies with FCC rules per Title 47 part 15 (Class A) for EMI / RFI (conducted & radiated). PoE lighting controller accessible from below ceiling.

Rated life: 60,000 hrs at 80% lumen maintenance based on IES LM-80-08 and TM-21-11.

Emergency

For reflector mounted test switch add "EM" to end of the catalog code (example: P4RDL20835CDZ10UEM). Leave blank for ceiling mounted test switch.

Reflector mounted test switch requires above ceiling access and 1.25" max ceiling thickness for downlight only. See LED-EM spec sheet for more details.

ENERGY STAR® exceptions

- 500lm configurations
- Black finishes
- PoE drivers

Labels and Listings

- cULus listed for wet locations
- CCEA (frames with *LC suffix)
- ENERGY STAR® certified
- RoHS certified

Warranty



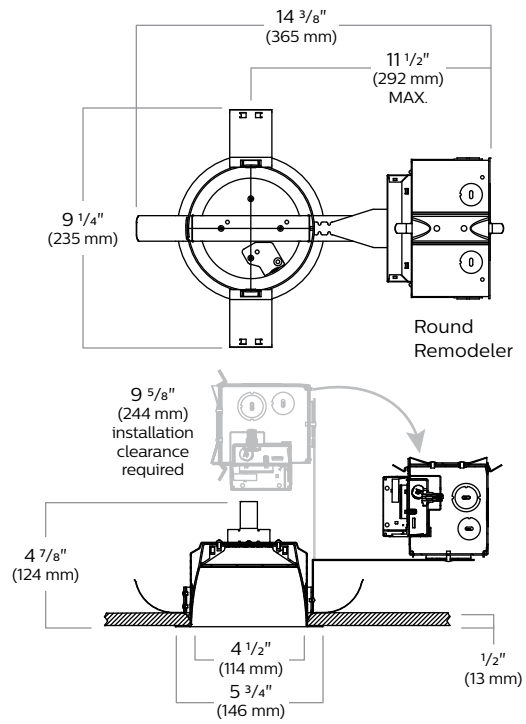
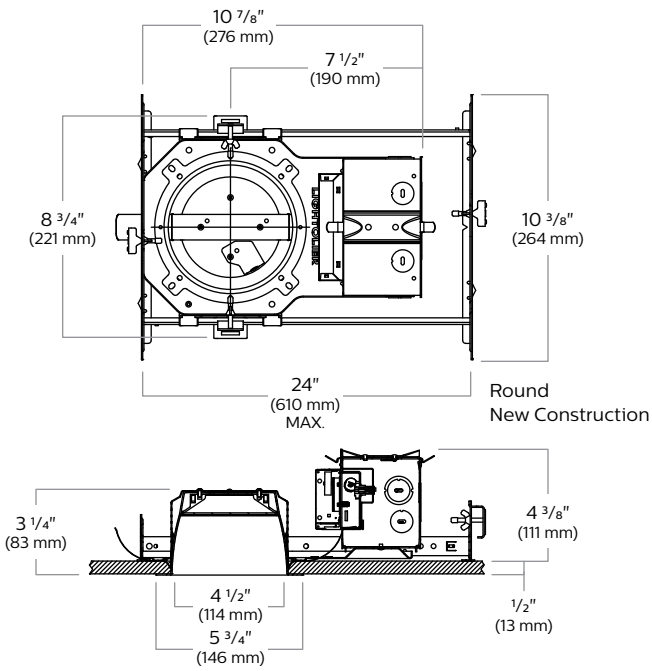
5 year limited warranty

Visit Signify.com/warranties for more information on Signify's standard 5-year limited warranty on complete luminaire systems.

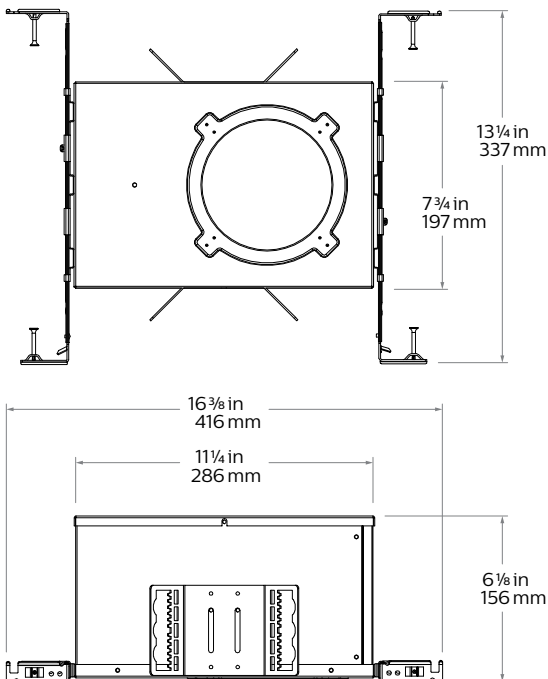
P4R LyteProfile 4"

Round Downlight & Lensed Wall Wash

Dimensions



AirSeal (A)



Electrical

Product	Input Volts	Input Freq.	Input Current (A)	Input Power (W)
P4*05*Z10U	120	50/60Hz	0.06	7
	277		0.029	7
P4*10*Z10U	120	50/60Hz	0.122	11
	277		0.038	10
P4*15*Z10U	120	50/60Hz	0.13	15
	277		0.063	16
P4*20*Z10U	120	50/60Hz	0.175	21
	277		0.078	21
P4*25*Z10U	120	50/60Hz	0.22	26
	277		0.099	27

Product	Input Volts	Input Freq.	Input Current (A)	Input Power (W)
P4*10*LU	120	50/60Hz	0.094	10
	277		0.047	10
P4*15*LU	120	50/60Hz	0.134	15
	277		0.07	15
P4*20*LU	120	50/60Hz	0.176	21
	277		0.086	21
P4*25*LU	120	50/60Hz	0.23	27
	277		0.106	28