



Adaptable, and flexible for your changing project needs. It is your best choice without sacrificing ease of installation or product quality.

Project: _____
 Location: _____
 Cat.No: _____
 Type: _____
 Lamps: _____ Qty: _____
 Notes: _____

Frame

(frame + trim = complete product)

example: 6RN

Series	Aperture	Installation	Options
6 6-inch Non-IC	R Round	N New construction (Non-IC) R Remodeler (Non-IC) A AirSeal (IC) ¹	— Universal 120/277V (specify for Power Over Ethernet) LC Chicago Plenum ² EM Emergency ^{2,4} 3 347V (not compatible with ELV dimming) 3IP 347V with Interact Pro (for use with 0-10V engines only) ^{2,3} IP Interact Pro (for use with 0-10V engines only) ^{2,3}

Trim

example: Z6RDL20835WOCZD10U

Series	Lumen	CRI/CCT	Beam	Style	Reflector	Flange	Dimming	Voltage
Z6RDL EasyLyte 6-inch Round	10 1000lm	827 80CRI / 2700K	W Wide	O Open S Step baffle	CD Clear diffuse (applied finish) BK Black (matte) WH White (matte) DB Dark Bronze	— White (matte) BK Black (matte)	Z10 0-10V 1% L Lutron LDE1 EcoSystem (fade-to-black) E ELV ⁵ P Power over Ethernet (PoE)	U Universal 120/277/347V 1 120V E Ethernet 48V DC
	15 1500lm	830 80CRI / 3000K						
	20 2000lm	835 80CRI / 3500K						
	25 2500lm	840 80CRI / 4000K						
	30 3000lm							
35 3500lm								

- There is a 3000lm (30) limit with 6" (6RA) IC housings.
- Interact Pro (IP), Emergency (EM) and Chicago Plenum (LC) are only available with New construction (N) installs.
- Integral Interact Pro RF sensor enables network lighting control; to be specified with 0-10V light engines only.
- Emergency (EM) frame comes with emergency battery pack and ceiling mountable test switch.
- ELV (E) dimming is only compatible with 1000lm (10), 1500lm (15), 2000lm (20) configurations.

Note: Consult factory for additional dimming options.

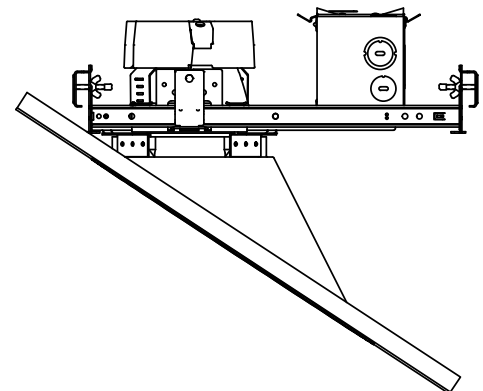
Accessories

example: 7920MD

Series	Degree of Slope
7925 Sloped Ceiling Adapter 6"	MC 5°
	MD 10°
	ME 15°
	MF 20°
	MG 25°
	MH 30°

Sloped Ceiling Adapter Features

- Material: 16 ga. spun aluminum, matte white finish.
- Installation: Installs with standard recessed fixture in sloped ceilings without changing the vertical axis of the fixture or its lighting characteristics.
- Perforated Tabs (4): Provide temporary support for the slope ceiling adapter during installation.
- Locking Screws (4): Secure slope ceiling adapter to mounting frame of fixture.
- Support: Fixture must be supported by ceiling structure – not Slope Ceiling Adapter."



Z6RDL EasyLyte 6"

Round Downlight

Features

Optics

- Provides a 70° cutoff (physical and reflected)
- Wide beam distribution for general illumination
- Spun aluminum outer reflector with integral flange painted white
- Injection molded plastic trim inserts in splay and baffle options
- Reflectors available in painted clear diffuse, white, black and dark bronze

Quality of light

- Lumen Maintenance: L70 at 60,000 hours
- Color consistency: 3 SDCM
- 80 CRI minimum

Construction (New Construction)

- Galvanized stamped steel for dry / plaster ceilings.
- Pre-installed telescoping mounting bars (13" - 24")
- Frame accommodates C- channel, black iron, and 3/4" EMT for mounting distances greater than 24" between joists.
- Manufactured from 20 gage galvanized steel construction with rolled edge aperture to guide cutting tools for perfect hole cutting.

**Max ceiling thickness is 2" (51 mm).
Including PoE frame 4.88" (124 mm).**

Patented install Mounting frame

- Pre-installed mounting bars allow for fast and tool-less install into T-grid and hat channel ceilings
- Close-cut aperture design eliminates an undesired gap between ceiling material and reflector.
- Simple plug-and-play connection between frame and light engine from below the ceiling allows for:
 - Easy upgrades
 - Technology changes
 - Repairs and troubleshooting

Dimming

- Advance 0-10V 1% dimming
- Lutron Hi-lume EcoSystem H Series 1% dimming

Interact Pro (IAP)

- Interact Pro brings the power of connected lighting to small and medium businesses without the complexity usually associated with connected lighting.
- Interact Pro includes an app, a portal and a broad portfolio of wireless Luminaires, lamps and retrofit kits all working on the same system.
- Commissioning via Interact Pro App (Android or iPhone)
- Prepare commissioning remotely via Interact Pro portal
- Requires compatible Interact Pro Gateway and internet connectivity for commissioning
- Compatible with UID8451/10 ZigBee Greenpower wireless dimmer switch
- Compatible with wireless Occ sensor (OCC SENSOR IA CM IP42 WH 10/1) or wireless Day/Occ sensor (OCC MULTI SENSOR IA CM WH 10/1)
- For more information on Interact Pro visit: www.interact-lighting.com/pro
- For more information on Interact Ready visit: www.philips.com/interactready

Power over Ethernet

Powered via Philips PoE lighting controller: complies with FCC rules per Title 47 part 15 (Class A) for EMI / RFI (conducted & radiated). PoE lighting controller accessible from below ceiling.

Rated life: 60,000 hrs at 70% lumen maintenance based on IES LM-80-08 and TM-21-11.

ENERGY STAR® exceptions

- 500lm configurations
- Black & Dark bronze finishes
- Power Over Ethernet drivers

Labels and Listings

- cULus listed for wet locations
- ENERGY STAR® certified
- RoHS certified

Warranty



5 year limited warranty
Visit Signify.com/warranties for more information on Signify's standard 5-year limited warranty on complete luminaire systems.

Electrical

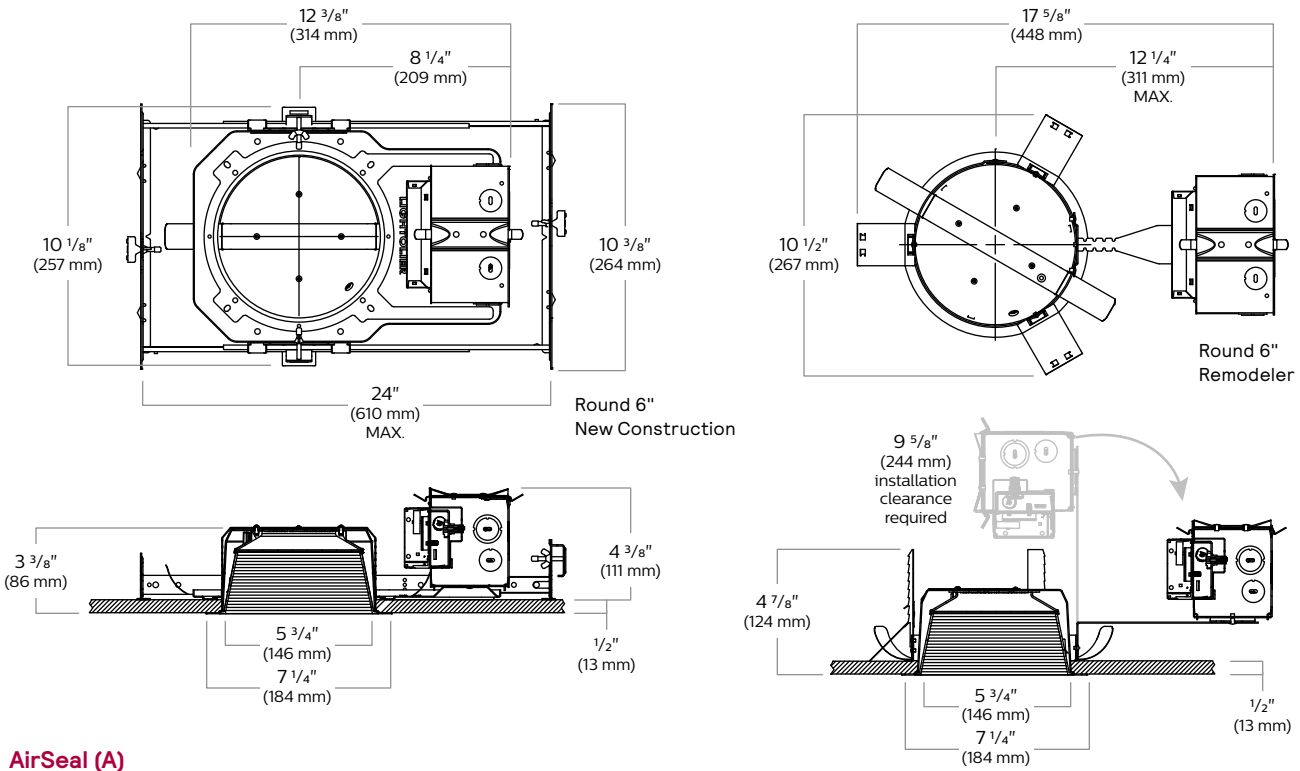
All have an input frequency of 50/60Hz

Light engine	Input volts	Input current	Input power
P6•10•Z10U	120 V	0.08 A	10 W
	277 V	0.04 A	10 W
P6•15•Z10U	120 V	0.13 A	15 W
	277 V	0.06 A	15 W
P6•20•Z10U	120 V	0.17 A	21 W
	277 V	0.8 A	21 W
P6•25•Z10U	120 V	0.21 A	25 W
	277 V	0.10 A	26 W
P6•30•Z10U	120 V	0.27 A	32 W
	277 V	0.12 A	33 W
P6•35•Z10U	120 V	0.32 A	38 W
	277 V	0.14 A	37 W

Z6RDL EasyLyte 6"

Round Downlight

Dimensions



AirSeal (A)

