

Pilot and Signaling Devices

Heavy-Duty 30.5 mm Watertight/Oiltight Push Buttons

CR104P
Mushroom-Head
Non-Illuminated
600 Volts Maximum AC/DC
10 Amperes Continuous

One-step selection and pricing of common assembled forms.
 Units are supplied factory-assembled when ordered with contact blocks, except 2 3/8" diameter mushroom-head, which is unattached.
 Suitable for use in NEMA Type 1, 3, 3R, 4, 4X, 12, and 13 applications when mounted in enclosures rated for those same applications. For some NEMA Type 4X applications, protective caps will improve corrosion resistance.

1 3/8" Diameter - Momentary Operator

Contact Configuration	Color	Product Number
None (Operator Only)	Black	CR104PBM00B5
None (Operator Only)	Red	CR104PBM00R5
None (Operator Only)	Other	CR104PBM00*5 ¹
1NO-1NC	Black	CR104PBM91B5
1NO-1NC	Red	CR104PBM91R5
1NO-1NC	Other	CR104PBM91*5 ¹
2NO-2NC	Black	CR104PBM92B5
2NO-2NC	Red	CR104PBM92R5
2NO-2NC	Other	CR104PBM92*5 ¹
1NO	Black	CR104PBM10B5
1NO	Red	CR104PBM10R5
1NO	Other	CR104PBM10*5 ¹
1NC	Black	CR104PBM01B5
1NC	Red	CR104PBM01R5
1NC	Other	CR104PBM01*5 ¹



1 3/8" Mushroom Head



2 3/8" Mushroom Head



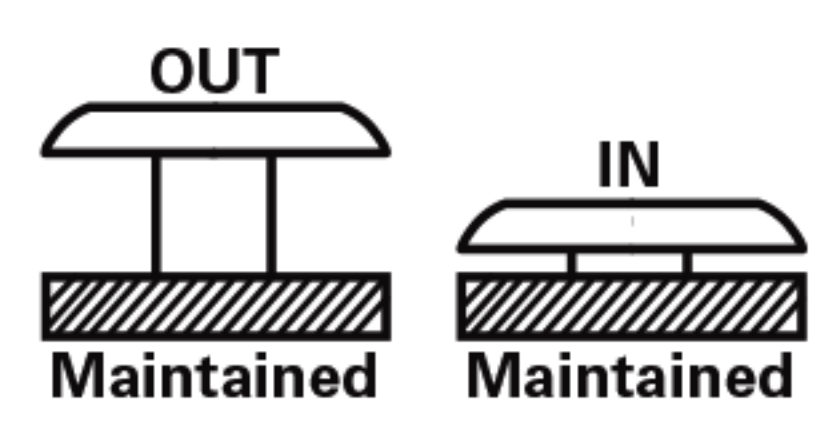
Push-to-Latch, Turn-to-Release

2 3/8" Diameter - Momentary Operator

Contact Configuration	Color	Product Number
None (Operator Only)	Black	CR104PBM00B6
None (Operator Only)	Red	CR104PBM00R6
None (Operator Only)	Other	CR104PBM00*6 ¹
1NO-1NC	Black	CR104PBM91B6
1NO-1NC	Red	CR104PBM91R6
1NO-1NC	Other	CR104PBM91*6 ¹
2NO-2NC	Black	CR104PBM92B6
2NO-2NC	Red	CR104PBM92R6
2NO-2NC	Other	CR104PBM92*6 ¹
1NO	Black	CR104PBM10B6
1NO	Red	CR104PBM10R6
1NO	Other	CR104PBM10*6 ¹
1NC	Black	CR104PBM01B6
1NC	Red	CR104PBM01R6
1NC	Other	CR104PBM01*6 ¹

1 3/8" Diameter Push-to-latch, turn-to-release

Contact Configuration	Color	Product Number
None (Operator Only)	Red	CR104PTR20A0R
1NO-1NC	Red	CR104PTR20A0R91
2NO-2NC	Red	CR104PTR20A0R92
1NO	Red	CR104PTR20A0R1
1NC	Red	CR104PTR20A0R01



2 Position Maintained

NC	X	O
NO	O	X

¹To order assembled units with a different color, substitute the letter below in place of the * in product number and add required adder to the list price.

Push-Pull Maintained Operator

Contact Configuration	Color	Operation	Product Number
1NO-1NC	Red	2 Position Maintained	CR104PBM01R5C
1NC-1NC late breaking	Red	3 Position, Momentary Push, Momentary Pull	CR104PBM01R5D
1NC-1NC late breaking	Red	3 Position, Maintained Push, Momentary Pull	CR104PBM01R5E



Momentary Push - Momentary Pull

NC	X	X	O
NC	X	O	O

Cap Colors Available*

Color	Insert in place of asterisk (*)
Yellow	E
Green	G
No Cap	A



Maintained Push - Momentary Pull

NC	X	X	O
NC	X	O	O

