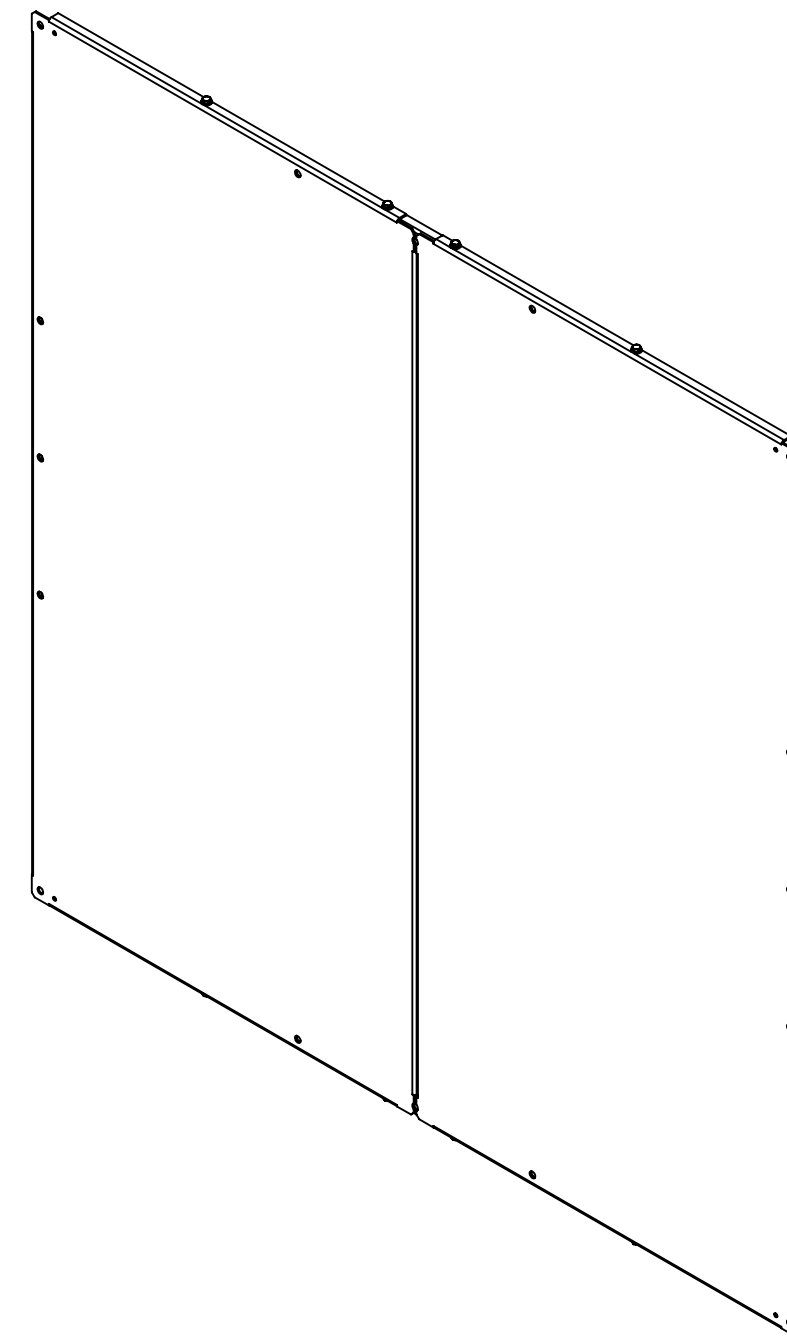
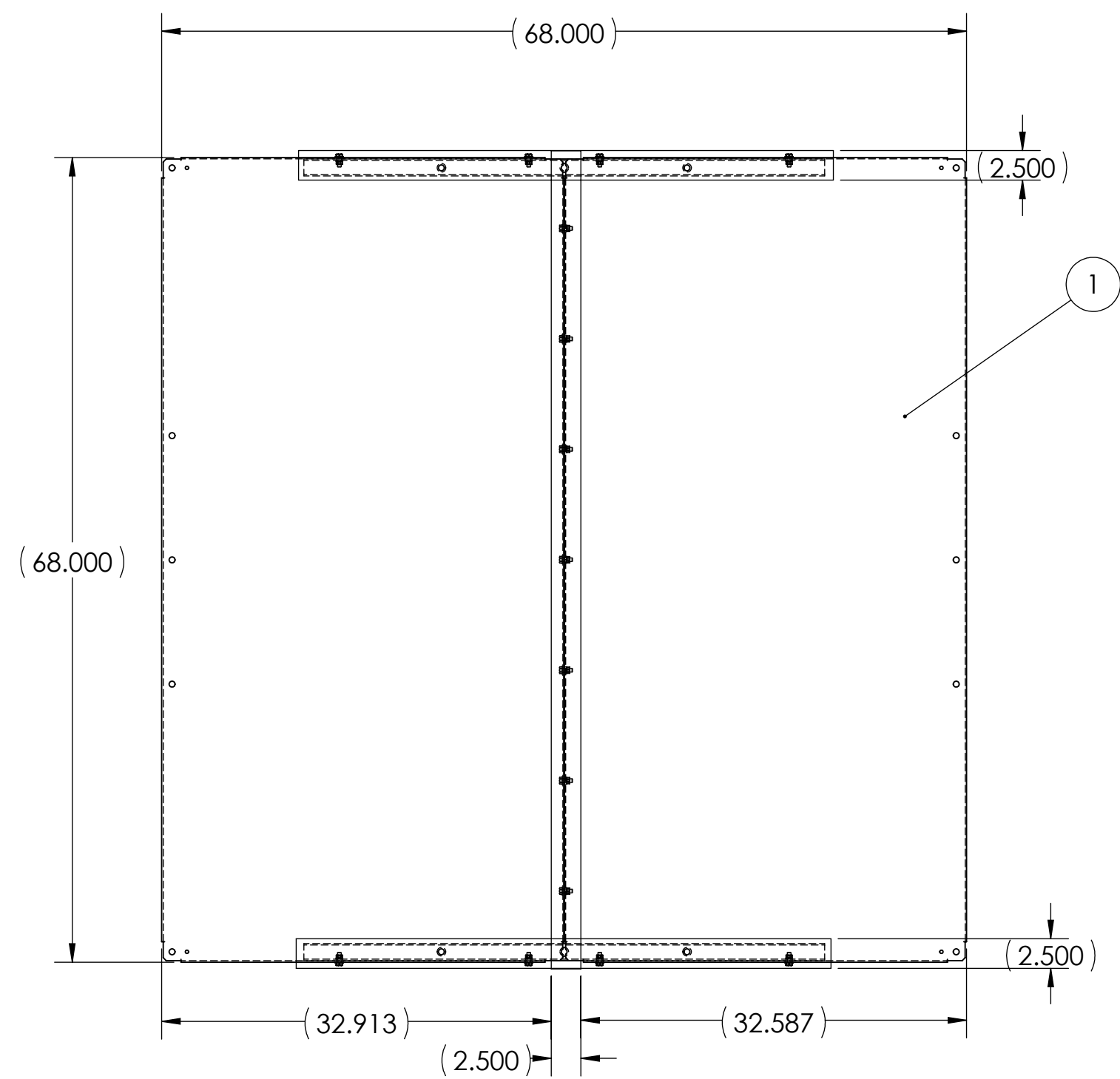


ITEM	PART NUMBER	DESCRIPTION	QTY
1	89205269	ASSY PANEL; BOLTED, 68X68	1
2	89169592	PACKAGE LRG, CONDUCTIVE PANELS	1



2.5 IN OF SPACE TO AVOID DRILLING  
IN MIDDLE AND TOP & BOTTOM EDGE

**PROPRIETARY AND CONFIDENTIAL**  
THE INFORMATION CONTAINED IN THIS DRAWING IS THE  
SOLE PROPERTY OF HOFFMAN ENCLOSURES INC.  
ANY REPRODUCTION IN PART OR AS A WHOLE  
WITHOUT THE WRITTEN PERMISSION OF  
HOFFMAN ENCLOSURES INC. IS PROHIBITED.

PART NO. 57053	B ADDED BBD	PDP-010527	5/11/2021	CDLS	---
MATERIAL	REV	DESCRIPTION	ECO/PDP	DATE	BY ENG
FINISH NONE					
UNLESS OTHERWISE SPECIFIED DIMENSIONS AND TOLERANCES IN INCH	SCALE NONE	TITLE			
TOLERANCES: ONE PLACE DECIMAL ±.1 TWO PLACE DECIMAL ±.03 THREE PLACE DECIMAL ±.015 HOLE DIA ±.005 ANGLES ±2°	DRAWN CDLS	<b>A72P72B</b>			
THIRD ANGLE PROJECTION	CHECKED --- APPROVED --- DATE 4/27/2021	DO NOT SCALE DRAWING	SIZE C	DRAWING NO. 89205270	SHEET 1 OF 1