

DLMULTI-024-60W

Description

Diffusion DLMULTI-024-60W is a Dimmable LED Driver that works with Forward / Reverse phase, ELV, Triac or 0-10V Dimmers.

Features

- Protection from short circuit, over current and over voltage
- Internal self reset mini breakers
- Compatible with virtually every style dimmer
- Flicker-free ~ 20,000 Hz
- Indoor/Outdoor
- High Efficiency
- Working Temp : -40 ~ +85° C
- Wet location rated

Specifications

- Input Voltage : 100-277 VAC
- Output Voltage : 24 VDC
- Output Current : 2.5A
- Dimming Range : 0-100%
- Wattage : 60W

0% with select dimmers only

Driver Dimensions :

6.8" L x 3.5" W x 1.0" H

175mm L x 90mm W x 25mm H

KO (I.D.) :

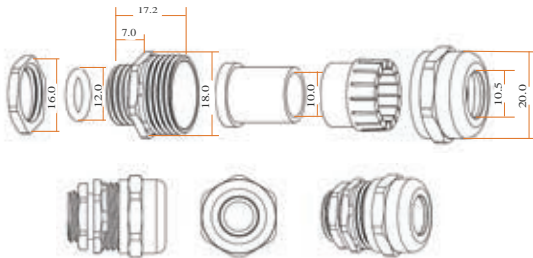
6 x 0.5" (Sides)

*Standard 1/2" connectors won't fit

2 x 0.8" (Back)



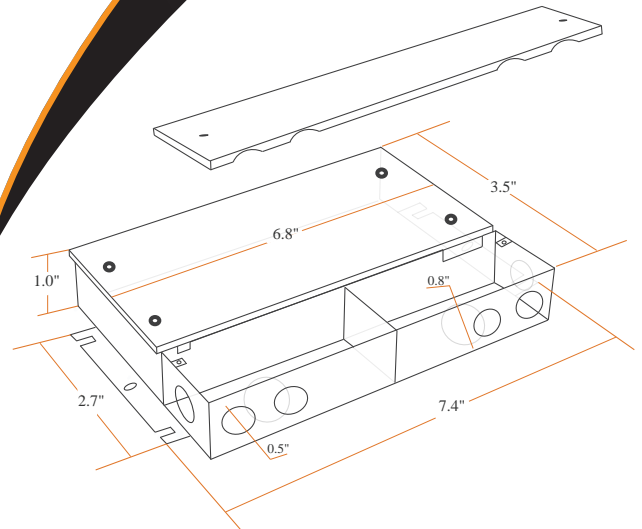
Connector



Comes with two Connectors

Only takes up to 14/2 loomex or 14/3 sjoo

30W and 60W only



E516184