

## DLMULTI-024-150W

### Description

Diffusion DLMULTI-024-150W is a Dimmable LED Driver that works with Forward / Reverse phase, ELV, Triac or 0-10V Dimmers.

### Features

- Protection from short circuit, over current and over voltage
- Internal self reset mini breakers
- Compatible with virtually every style dimmer
- Flicker-free ~ 20,000 Hz
- Indoor/Outdoor
- High Efficiency
- Working Temp : -40 ~ +85° C
- Wet location rated

### Specifications

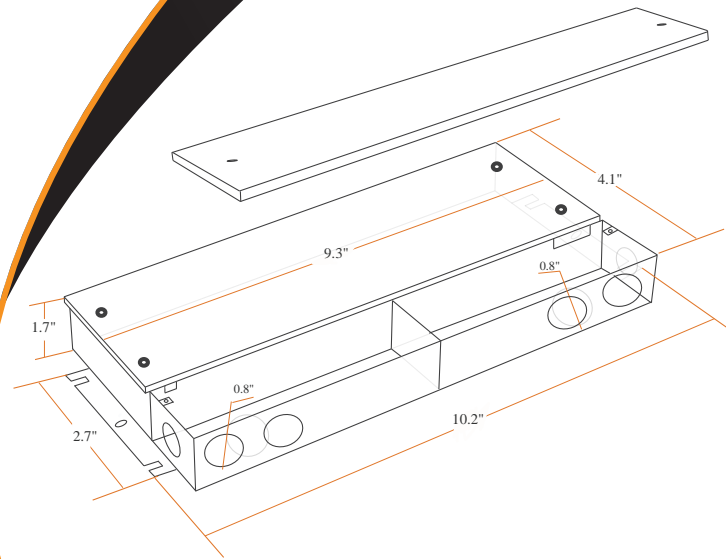
- Input Voltage : 110-277 VAC
- Output Voltage : 24 VDC
- Output Current : 6.25A
- Dimming Range : 0-100%
- Wattage : 150W  
\*0% with select dimmers only\*

### Driver Dimensions :

9.3" L x 4.1" W x 1.7" H  
238mm L x 105mm W x 45mm H

### KO (I.D.):

6 x 0.8" (Sides)



E516184