



Juno SlimBasics JSBT Tapered LED Surface Mount Disk Light

4" and 6" Round Disk Lights for JBox Installation

JSBT 4IN/6IN Series



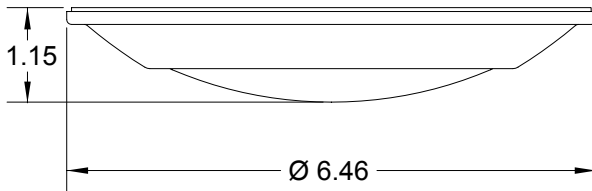
JSBT 4IN



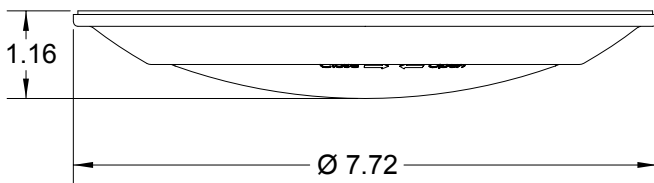
JSBT 6IN



Dimensions



JSBT 4IN



JSBT 6IN

Project:
Fixture Type:
Location:
Contact/Phone:

Product Features

The SlimBasics™ JSBT Slim Tapered LED Disk Lights are low-profile and the perfect economic solution for any junction box installation. Available in 4in and 6in sizes, the JSBT mounts directly over standard junction boxes allowing the fixture to be installed below the ceiling resulting in a budget friendly install. Additionally, these surface mount disk lights bring an aesthetically pleasing design element that blends with any décor.

Applications

- Suitable for wet locations (indoor covered ceilings): perfect for closet, showers, bathrooms, and outdoor soffits and ceiling covering applications
- Residential and Light Commercial applications including multi-family and hospitality
- Ideal for use in corridors, foyers, living spaces, closets, hallways, pantries, stairways and much more
- Installs directly into industry standard junction boxes
- Suitable for use in closets, compliant when installed to NFPA® 70 NEC® Section 410.16 (A)(1) and (C)(1)

Performance

Delivered Lumens	JSBT 4IN = 750L JSBT 6IN = 990L
LED Color Temperature	3000K
CRI	90+
Voltage	Dedicated 120V
Dimming	Phase Dimming down to 10%

Specifications

	Width	Depth
JSBT 4IN	6.46	1.15
JSBT 6IN	7.72	1.16

All dimensions are in Inches



Juno SlimBasics JSBT Tapered LED Surface Mount Disk Light

4" and 6" Round Disk Lights for JBox Installation



JSBT 4IN



JSBT 6IN

ORDERING INFORMATION

Slim Tapered LED Disk Light

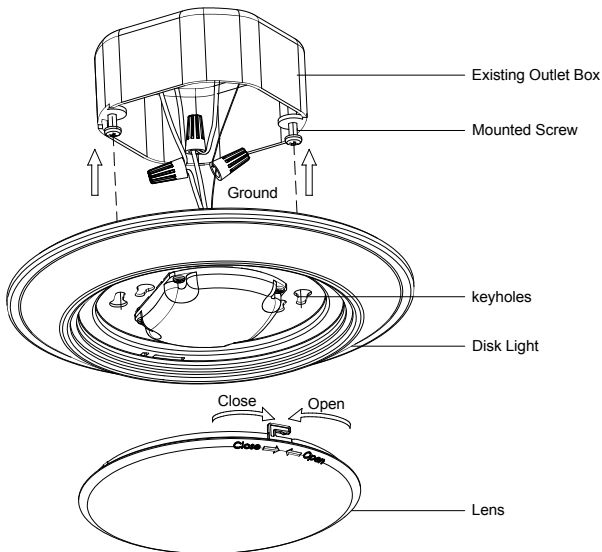
Example: JSBT 6IN 30K 90CRI WL MW M6

Series	Color Temperature	CRI	Wet Location	Color Finish
JSBT 4IN 4" Juno Slim Tapered Disk Light	30K 3000K	90CRI 90CRI	WL Wet Location	MW Matte White
JSBT 6IN 6" Juno Slim Tapered Disk Light				

JBOX Compatibility

	3-1/2" Octagon Box Steel	4" Drawn Octagon 1-1/2" Deep Steel	3-1/2" Drawn Round Ceiling Pan Steel / Old Work	4" Round Plastic / New York	4" Drawn Round Ceiling Pan Steel	4" Round Plastic / New Work	4" Dia. Ceiling Box With Bar Plastic / New York
Exterior LXWXH	3.2" x 3.2" x 1.55"	3.54" x 3.54" x 1.55"	3.38" Rd. x 0.5" Dep.	4" Dia. x 2.3"	4" Dia. x 0.5" Dep.	4" Dia. x 2.375"	14.5" x 4.5" x 4"
Mounting Dimension	2.75"	3.5"	2.75"	2.75" / 3.5"	3.5"	2.75" / 3.5"	2.75" / 3.5"
Fixture	JSBT 4IN/ JSBT 6IN	JSBT 6IN	JSBT 4IN/ JSBT 6IN	JSBT 4IN/ JSBT 6IN	JSBT 6IN	JSBT 4IN/ JSBT 6IN	JSBT 4IN/ JSBT 6IN

Exploded Drawing View



- Installs directly into industry standard junction boxes
- Compatible boxes include 3-1/2" and 4" octagon junction boxes (1-1/2" minimum depth), round mud rings with 2-3/4" mounting centers and 3" and 4" diameter non-metallic boxes
- Suitable for ceiling mount
- Suitable for use in closets, compliant when installed to NFPA® 70 NEC® Section 410.16 (A)(1) and (C)(1)

Dimmer Compatibility

Forward Phase Dimmers	Reverse Phase Dimmers	Acuity Brands Dimmers
Lutron Maestro® STCL-153	Lutron Diva ELV® DVELV-300P	Acuity SensorSwitch® Forward phase paddle dimmer/WPD WH
Lutron RadioRa® RRD-1OND	Lutron Maestro ELV® MAELV-600	
Lutron Diva® DVCL-153P		
Lutron Vive® MRF2S-6ND		
Lutron Caseta® PD-6WCL		
Leviton SureSlide® IPMO6-1LZ		
Leviton Illumatech® IPL06-1OZ		



Juno SlimBasics JSBT Tapered LED Surface Mount Disk Light

4" and 6" Round Disk Lights for JBox Installation



JSBT 4IN



JSBT 6IN

Specifications

Construction

Low profile tapered aluminum trim frame with matte finish • Molded polycarbonate, UV stabilized diffuser dome lens conceals the LEDs from direct view and provides uniform lens luminance.

LED Light Engine

LED board mounted directly to aluminum housing designed to provide superior thermal management and ensure long life • 3000K LED color temperature • LED's binned for 4-step MacAdam ellipse color consistency • 90 CRI minimum • Accommodates 120 volts AC at 60Hz • Dimmable with most standard magnetic low voltage and electronic low voltage dimmers.

Electrical Connections

Fixture provided with leads for direct wire connection in JBox.

Installation

Junction Box Mounting

The driverless JSBT installs directly into industry standard junction boxes that requires no separate mounting bracket for installation • Compatible boxes include 3-1/2" and 4" octagon junction boxes (1-1/2" minimum depth), round mud rings with 2-3/4" mounting centers, and 3" & 4" diameter non-metallic boxes • Provides fast installation of fully assembled fixture to JBox • Suitable for ceiling mount • Suitable for use in closets, compliant when installed to NFPA® 70 NEC® Section 410.16 (A)(1) and (C)(1).

Life

High performance, long functional life of 50,000 hrs (L70).

Labels

ETL listed for US and Canada • ENERGY STAR® Certified • Suitable for indoor wet locations • Certified to the high efficacy requirements of California T24 JA8-2019.

Testing

All reports are based on published industry procedures; field performance may differ from laboratory performance.

Warranty 5-year limited warranty. Complete warranty terms located at:

www.acuitybrands.com/support/warranty/terms-and-conditions

Note: Actual performance may differ as a result of end-user environment and application.

All values are design or typical values, measured under laboratory conditions at 25 °C.

Specifications subject to change without notice.