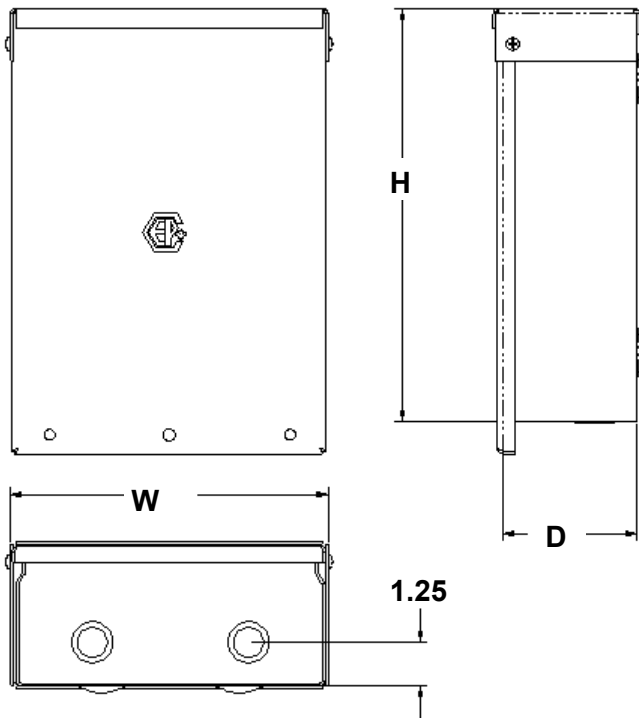
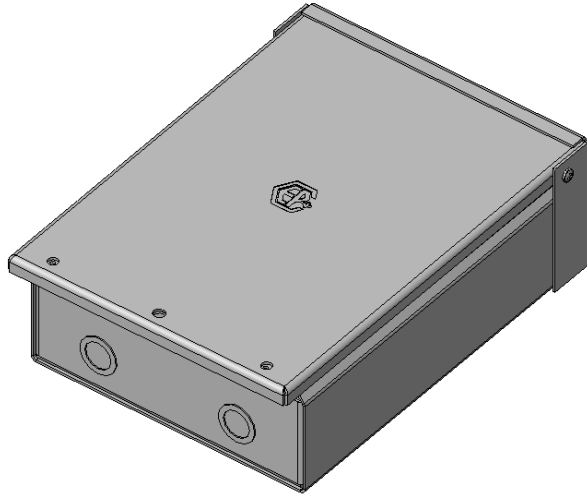
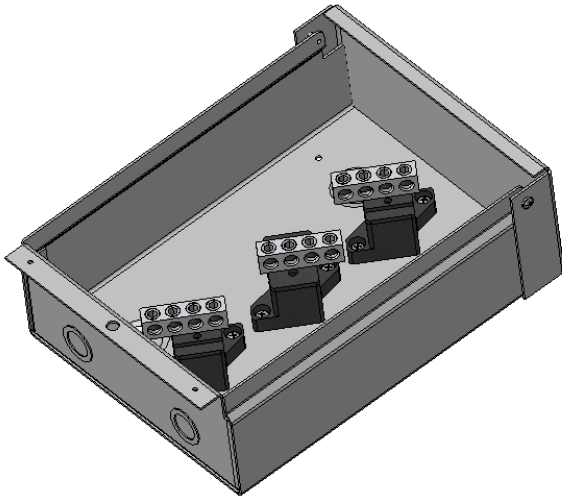


# CSA 3 ALUMINUM TRAILER BOXES

The TR boxes are used as junction boxes in outdoor or indoors installations where dripping water is a problem. These enclosures are manufactured from 12 Ga aluminum. They are available in 125-225 amp capacities, and one side has concentric

knockouts. The enclosures are complete with hinged cover, that acts as a rain hood preventing water from reaching electrical components. Custom horizontal mounting boxes are available. C.S.A. Certified



Cat. No.	Amps	H	W	D	LBS.
TR-A-1	125	12	9	3.75	4.0
TR-A-2	225	14	11	4.5	5.0

Amps	Wires	
	Main	Branch
125	1 x 14-2/0	3 x 14-2/0
225	1 x 6-300MCM	2 x 14-2/0 + 1 x 6-300 MCM