



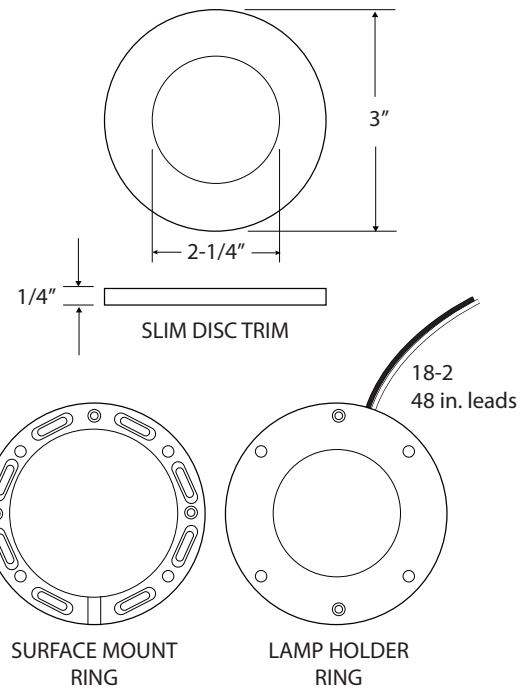
PROJECT	TYPE
CATALOG NUMBER (FOR CUSTOM LENGTHS, PLEASE SEE ORDERING EXAMPLE BELOW)	

- FEATURES**
- 12VDC operation
 - 2.2W
 - 2700K / 3000K / 4000K
 - Multi-finishes
 - Dimmable
 - Surface or recess mount
 - Magnetic cover plates

- ELECTRICAL**
- Remote power supply required*

- LABEL**
- ETL

- WARRANTY**
- 5 year warranty



PRODUCT DESCRIPTION

A 3" (75mm) diameter circular surface (with mounting ring) or recessed (without mounting ring) puck. Constructed of a high quality aluminum body with white polycarbonate diffuser lens for low glare. Available in White, Black, Bronze and Brushed Nickel trim.

* Use electronic power supplies only (PSD15-12 or PSD24-12). Magnetic power supplies are not operable with this fixture.

- Max. 4 pucks on PSD15-12
- Max. 8 pucks on PSD24-12



PRODUCT ORDERING INFORMATION

Catalog No.	Dimensions	Wattage	Lumens	Color Temp.*	CRI	Finish
SP-2-27-W	3" dia. x 1/4" depth	2.2W	165	2700K	80+	White
SP-2-27-B	3" dia. x 1/4" depth	2.2W	165	2700K	80+	Black
SP-2-27-BZ	3" dia. x 1/4" depth	2.2W	165	2700K	80+	Bronze
SP-2-27-BNK	3" dia. x 1/4" depth	2.2W	165	2700K	80+	Brushed Nickel
SP-2-30-W	3" dia. x 1/4" depth	2.2W	170	3000K	80+	White
SP-2-30-B	3" dia. x 1/4" depth	2.2W	170	3000K	80+	Black
SP-2-30-BZ	3" dia. x 1/4" depth	2.2W	170	3000K	80+	Bronze
SP-2-30-BNK	3" dia. x 1/4" depth	2.2W	170	3000K	80+	Brushed Nickel
SP-2-40-W	3" dia. x 1/4" depth	2.2W	180	4000K	80+	White
SP-2-40-B	3" dia. x 1/4" depth	2.2W	180	4000K	80+	Black
SP-2-40-BZ	3" dia. x 1/4" depth	2.2W	180	4000K	80+	Bronze
SP-2-40-BNK	3" dia. x 1/4" depth	2.2W	180	4000K	80+	Brushed Nickel

* Kelvin temperature (color) ± 200K