

JUNO®

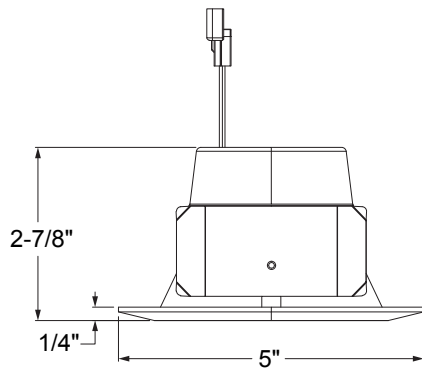
RLD Series LED Downlight Retrofit

4" LED Retrofit Baffle Trim Module

4RLD G4 Series



Dimensions



Ships with:



E26 Adapter

Project:

Fixture Type:

Location:

Contact/Phone:

Product Features

The 4" RLD LED module provides an affordable means to create a well lit environment with exceptional energy efficiency and near zero maintenance. Great for retrofit into existing downlight cans or for use in new construction and remodel applications. The LED module maintains at least 70% light output for 50,000 hours.

- Durable die-cast aluminum all-in-one design replaces traditional lamp and trim for energy savings
- Crisp baffle grooves and deep source regression minimizes glare and ceiling brightness
- Dedicated 4" trim size provides proper scale and aesthetics to replace 4" legacy trims with minimal flange thickness

Applications

- Retrofit into existing downlight cans or use as an economical LED solution for new construction downlighting in residential and light commercial applications
- Push-in friction springs are pre-installed for ease of installation and designed to fit into most 4" compatible recessed housings
- Wet rated and air-loc: perfect for showers and bathrooms

Performance

Delivered Lumens	Nominal 600L or 900L
LED Color Temperature	2700K, 3000K
CRI	90+
Voltage	Dedicated 120V
Dimming	Dimmable flicker-free dimming from 100% to 5%

For a list of compatible dimmers see JUNORETROBASICS-DIM

Specifications

Aperture:	4"
Ceiling opening:	4.25"
Overlap trim:	5"
Height:	2.875"



RLD Series LED Downlight Retrofit

4" LED Retrofit Baffle Trim Module



ORDERING INFORMATION

Downlight

Example: 4RLD G4 06LM 27K 90CRI 120 FRPC WWH

Trim Series	Generation	Lumens	Color Temperature	Color Rendering Index	Voltage	Driver	Finish
4RLD 4" Juno Retrofit Downlight	G4 Generation 4	06LM 600 Nominal Lumens 09LM 900 Nominal Lumens	27K 2700K 30K 3000K	90CRI 90+ CRI	120 120V	FRPC Forward/Reverse Phase Cut	WWH White, White Trim Ring

Housing options : Order as separate catalog number.

IC1 LEDT24	4" dedicated LED new construction housing
IC1R LEDT24	4" dedicated LED remodel housing
IC1	4" new construction housing
IC1FW LEDT24	4" fire-rated dedicated LED new construction housing
L3LED T24	4" new construction housing LED base
L3RLED T24	4" remodel housing LED base
L3	4" new construction housing
L3R	4" remodel housing

Accessories: Order as separate catalog number.

LEDRETROWHIP	Replacement E26 screw base adapter for installation into incandescent housings
---------------------	--



RLD Series LED Downlight Retrofit

4" LED Retrofit Baffle Trim Module



Specifications

LED Downlight Retrofit Trim

Cast aluminum trim with white baffle and flange. All-in-one design where LED light engine mounts directly to trim for ease of installation into existing 4" recessed housings with medium base sockets • Provided with push-in friction springs.

LED Light Engine

LEDs mounted directly to aluminum housing designed to provide superior thermal management and ensure long life • 2700K and 3000K, LED color temperature • 90 CRI minimum • Accommodates 120 volts AC at 60Hz • Dimmable with most standard incandescent, magnetic low voltage and electronic low voltage dimmers • For a list of compatible dimmers, see JUNORETROBASICS-DIM.

Electrical Connections

Trim features quick connect plug installed as standard for installation into IC1 LEDT24 and IC1R LEDT24 housings with mating connector • Trim ships as standard with a medium base socket adapter whip for installation into 4" incandescent housings with medium base sockets.

Trim

Cast aluminum baffle trim with white finish • Diffusing lens conceals the LEDs from direct view and provides uniform aperture luminance.

Life

Rated for 50,000 hours at 70% lumen maintenance.

Labels

ENERGY STAR® Certified • Can be used to comply with 2019 Title 24, Part 6, JA8 high efficacy LED light source requirements • T20 Certified • UL and cUL classified for use with most standard UL listed 4" recessed incandescent housings and Juno IC1 LEDT24 and IC1R LEDT24; see below for specific compatibility requirements • Damp location • Suitable for wet locations (indoor covered ceilings).

Testing

All reports are based on published industry procedures; field performance may differ from laboratory performance.

Warranty 5-year limited warranty. Complete warranty terms located at: www.acuitybrands.com/CustomerResources/Terms_and_conditions.aspx

Specifications subject to change without notice.

PERFORMANCE DATA

	600L		900L	
	27K	30K	27K	30K
Input Voltage	120V	120V	120V	120V
Input Power Typical	8W	8W	12W	12W
Frequency	60Hz	60Hz	60Hz	60Hz
EMI/RFI	FCC Title 47, Part 15 Class B (consumer)	FCC Title 47, Part 15 Class B (consumer)	FCC Title 47, Part 15 Class B (consumer)	FCC Title 47, Part 15 Class B (consumer)
Minimum Starting Temp	-30°C (-22°F)	-30°C (-22°F)	-30°C (-22°F)	-30°C (-22°F)
CRI	90 min.	90 min.	90 min.	90 min.
CCT	2700K	3000K	2700K	3000K